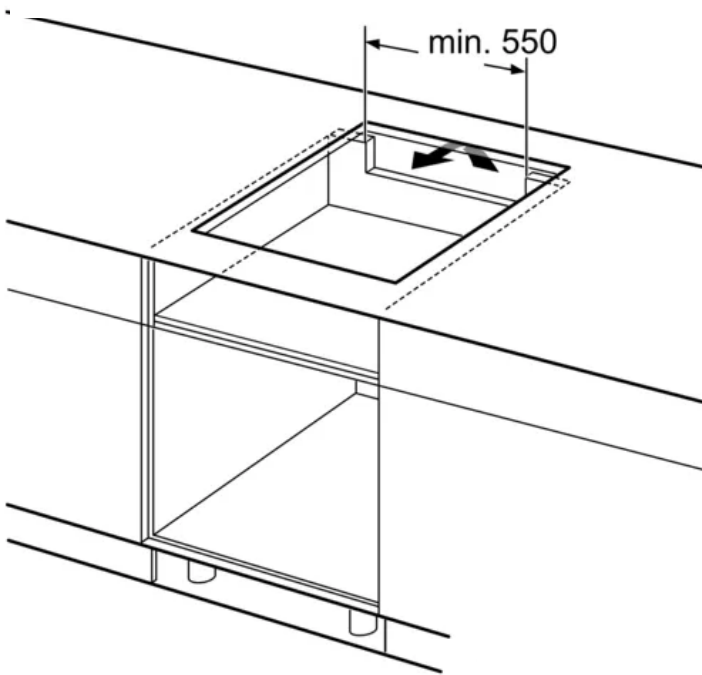
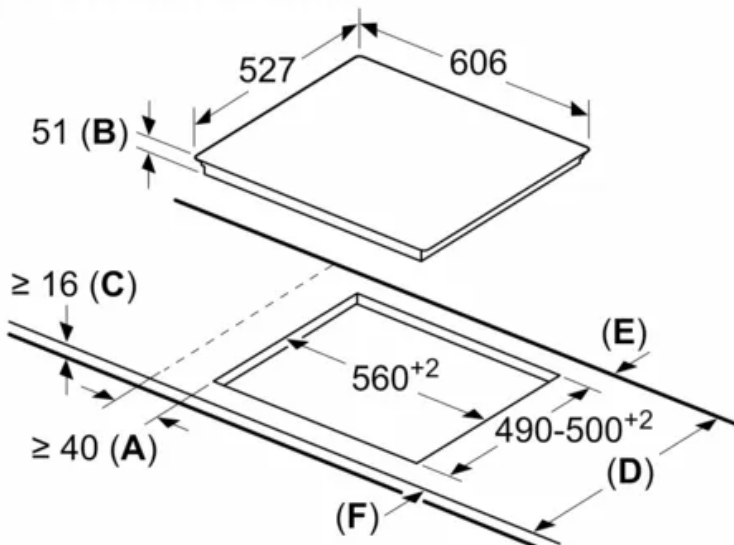


①
Ventilation gap must be present



measurements in mm



A: Minimum distance from the hob cut-out to the wall.

B: Recessed depth

C: The clearance between the surface of the worktop and the top of the front of the oven must be 30 mm. See space requirements for the oven.

The worktop into which the hob is installed must withstand loads of approx. 60 kg; suitable substructures must be used if required.

D	E	F
585-600	50	≥ 35
> 600	≥ 50	≥ 50