

**Serie | 8, Built-in oven with added steam function, 60 x 60 cm, Stainless steel
HRG635BS1**



A+



Included accessories

1 x enamel baking tray
1 x combination grid
1 x universal pan

The built-in oven with AutoPilot and added steam: automatically prepares your dishes so they're crispy and juicy.

- **Added steam:** your foods turn out crispy on the outside and juicy on the inside.
- **4D hotair:** even heat distribution for perfect results – on any level.
- **AutoPilot 20:** every dish is a perfect success thanks to 20 pre-set automatic programmes.
- **TFT-touchdisplay:** easy-to-use thanks to the control ring with clear text and symbols.
- **EcoClean Direct:** less cleaning effort thanks to a special coating of the rear wall that automatically absorbs grime.

Technical Data

Color / Material Front : Stainless steel
 Built-in / Free-standing : Built-in
 Integrated Cleaning system : Catalytic partial, Hydrolytic
 Required niche size for installation (HxWxD) : 585-595 x 560-568 x 550 mm
 Dimensions : 595 x 594 x 548 mm
 Dimensions of the packed product (HxWxD) : 670 x 680 x 670 mm
 Control Panel Material : Stainless steel
 Door Material : Glass
 Net weight : 40.8 kg
 Usable volume of cavity : 71 l
 Heating modes : , 4D hotair, Bottom heat, Conventional heat, Defrost, Full width grill, Half width grill, Hot Air-Eco, Hot air grilling, low temperature cooking, Pizza setting, pre-heating, warming
 Number of interior lights : 3
 Approval certificates : CE, VDE
 Length electrical supply cord : 120 cm
 Interior Lights - cavity 1 : 3
 Pull-out system : Accessory
 Clock function : Alarm, Off, On
 Included accessories : 1 x enamel baking tray, 1 x combination grid, 1 x universal pan
 Broil Element Wattages cavity 1 : 2800 W
 Convection Element Wattages cavity 1 : 2200 W
 Energy efficiency rating : A+
 Energy consumption per cycle conventional (2010/30/EC) : 0.87 kWh/cycle
 Energy consumption per cycle forced air convection (2010/30/EC) : 0.69 kWh/cycle
 Energy efficiency index (2010/30/EC) : 81.2 %
 Connection Rating : 3600 W
 Fuse protection : 16 A
 Voltage : 220-240 V
 Frequency : 60; 50 Hz
 Plug type : Gardy plug w/ earthing
 Color / Material Front : Stainless steel
 Energy input : Electric
 Approval certificates : CE, VDE
 Required cutout/niche size for installation (in) : x x
 Dimensions of the packed product : 26.37 x 26.37 x 26.77
 Net weight : 90.000 lbs
 Gross weight : 95.000 lbs
 Length electrical supply cord : 120 cm
 Net weight : 40.8 kg
 Gross weight : 43.2 kg



Serie | 8, Built-in oven with added steam function, 60 x 60 cm, Stainless steel HRG635BS1

The built-in oven with AutoPilot and added steam: automatically prepares your dishes so they're crispy and juicy.

Type of oven / heating system:

- Oven with 13 heating methods: 4D hotair, Hotair Eco,, Conventional heat, Conventional heat ECO, Hot air grilling, Full width grill, Half width grill, Pizza setting, Bottom heat, Low temperature cooking, Defrost, Preheating, Hold warm
- Additional heating methods with steam: Regeneration with steam, Fermentation with steam
- Temperature range 30 °C - 300 °C
- Cavity volume: 71 l

Hook-in racks / rails

- Number of shelf levels: 5 PC
- Accessory

Design:

- Rotary swivel
- Cavity inner surface: enamel anthracite

Cleaning:

- EcoClean Direct: coating of back panel
- Cleaning Assistance
- Full glass inner door

Comfort:

- 2,5"-TFT-color and text display with touch-control buttons
- Electronic clock
- Temperature proposal
 - Actual temperature display
 - Heating-up control
 - Sabbath setting
- AutoPilot 20
- Oven door with SoftOpen and SoftClose, Drop down door
- Bar handle
- Supporting systems: Programs
- Rapid heating-up
- LED light, LED-Elongated light, Switch for oven illumination
- Water tank with 1 l
- Water tank empty indicator
- Location of the steam generator is outside of the cavity
- Integral cooling fan

Accessory:

- enamel baking tray, combination grid, universal pan

Environment and Safety:

- low door temperature
- Child lock
 - Automatic switch off
 - Residual heat indicator
 - Start-/Stop button
 - Door contact switch

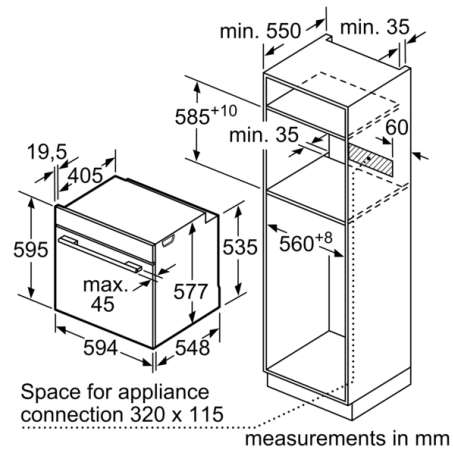
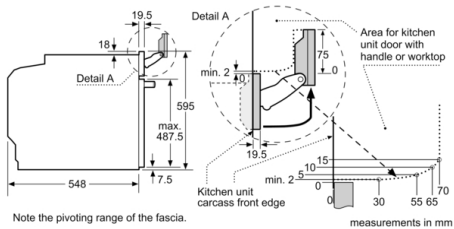
Technical Information

- Length of mains cable: 120 cm
- Nominal voltage: 220 - 240 V
- Total connected load electric: 3.6 KW
- Energy efficiency rating (acc. EU Nr. 65/2014): A+ (at a range of energy efficiency classes from A+++ to D)
 - Energy consumption per cycle in conventional mode: 0.87 kWh
 - Energy consumption per cycle in fan-forced convection mode: 0.69 kWh
- Number of cavities: 1
- Heat source: electrical
- Cavity volume: 71 l

Dimensions:

- Appliance dimension (hxwxd): 595 mm x 594 mm x 548 mm
- Niche dimension (hxwxd): 585 mm - 595 mm x 560 mm - 568 mm x 550 mm
- "Please reference the built-in dimensions provided in the installation drawing"
- We recommend you to choose complementary products within Series 8, in order to assure an optimal design combination of your Built-In appliances.

Serie | 8, Built-in oven with added steam function, 60 x 60 cm, Stainless steel HRG635BS1



If the appliance will be installed underneath a hob, the following worktop thicknesses (including substructure if necessary) must be taken into account.

Hob type	min. worktop thickness	
	fitted	flush
Induction hob	37 mm	38 mm
Full surface Induction hob	47 mm	48 mm
Gas hob	30 mm	38 mm
Electric hob	27 mm	30 mm

