

Serie | 2, telescopic cooker hood, 60 cm, Silver metallic DFM064W54

B



Telescopic cooker hood: barely visible integrated in the wall unit, this ensures a clear kitchen design.

- **Grease filtration level:** filters out over 85% of the grease from kitchen air
- **LED-Illumination:** The energy-saving lighting provides white and good lighting for the hob area.
- With exhaust, the air is cleaned by a grease filter and then ducted to the outside which ensures optimal kitchen air quality.

Technical Data

Typology : Pull-out

Approval certificates : CE, Eurasian, Ukraine, VDE

Length electrical supply cord : 175 cm

Required niche size for installation (HxWxD) : 162mm x 526.0mm x 290mm mm

Net weight : 9.0 kg

Type of control : mechanical

Number of speed settings : 3

Maximum output air extraction : 388 m³/h

Maximum output recirculating air : 257 m³/h

Number of lights : 2

Noise level : 67 dB(A) re 1 pW

Diameter of air outlet : 120 / 150 mm

Grease filter material : Washable aluminium

Odour filter : No

Operating Mode : Convertible

Optional accessories : DSZ4686, DWZ1IT1B4, DWZ1IT1I4, HEZG9AS00S, DSZ4545, DSZ4551, DSZ4682

Type of lamps used : LED

Total power of the lamps : 3 W

Grease filter type : Kasette

Connection Rating : 108 W

Fuse protection : 10 A

Voltage : 220-240 V

Frequency : 50 Hz

Plug type : Gardy plug w/ earthing

Installation typology : Built-in

Material body : zinc plated

Approval certificates : CE, Eurasian, Ukraine, VDE

Plug type : Gardy plug w/ earthing

Dimensions of the product, with chimney (if exists) (in) : / x x

Dimensions of the packed product : 12.20 x 25.19 x 14.17

Net weight : 20.000 lbs

Gross weight : 23.000 lbs

Motor location : Integrated motor in hood body

No-return airflow flap : Yes

Length electrical supply cord : 175 cm

Dimensions of the product, with chimney (if exists) : 203 x 598.0 x 290.0 mm

Dimensions of the packed product (HxWxD) : 310 x 640 x 360 mm

Net weight : 9.0 kg

Gross weight : 10.4 kg

Serie | 2, telescopic cooker hood, 60 cm, Silver metallic DFM064W54

**Telescopic cooker hood: barely visible
integrated in the wall unit, this ensures a
clear kitchen design.**

Variant

- 60 cm wide
- 60 cm Slimline hood, silver metallic
- Install into a 60cm wide wall cupboard
- Suitable for ducted or re-circulated extraction
- Recirculating kit

Design

Comfort

- Automatic On/Off operation when telescopic canopy is pulled out and pushed back
- rocker switches
- 3 speeds

Features

- 2 x 1,5 W LED
- Colour Temperature: 3500 K
- Light Intensity: 131 lux
- Cassette with alu frame
- Metal grease filter, dishwasher safe

Performance

- Extraction rate exhaust air according to EN 61591 max. 389 m³/h
- Noise level according to EN 60704-2-13 at max. normal use exhaust air: Noise, max. speed in normal us: 67 dB dB(A) re 1 pW
- Noise min./max. Normal Level: 59/67 dB
- 1 high-performance blower, Capacitor motor
- Capacitor motor

Planning and installation information

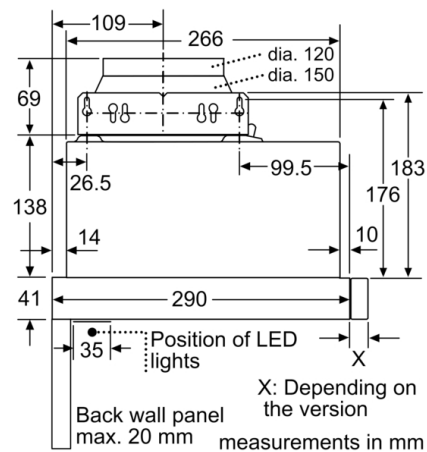
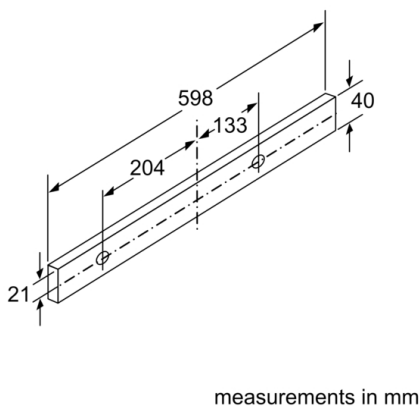
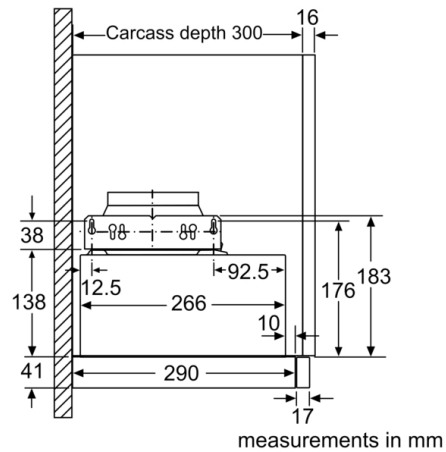
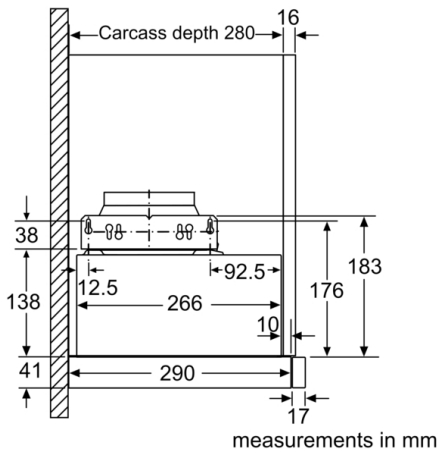
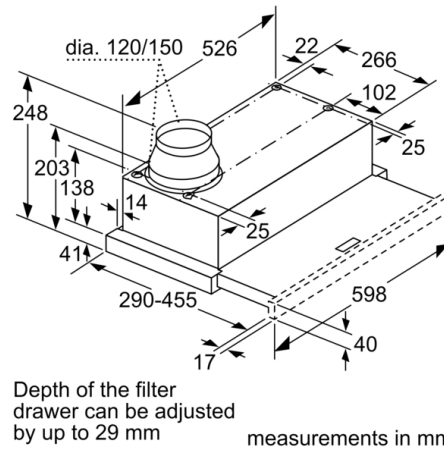
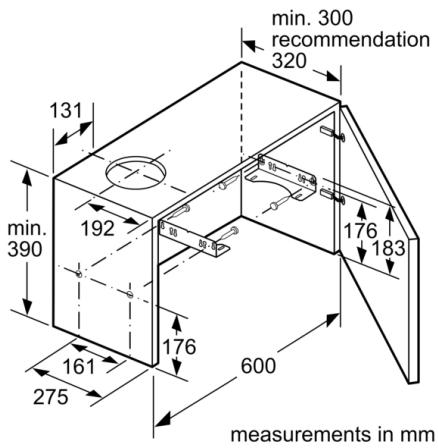
- Dimensions (HxWxD): 203 x 598 x 290 mm
- Built-in dimensions (HxWxD): 162 x 526 x 290 mm
- Diameter pipe Ø 150 mm (Ø 120 mm enclosed)
- with one-way flap
- Electrical cable length 1.75 m
- Stainless steel handle included

Consumption Data

- Energy Efficiency Class: B (at a range of energy efficiency classes from A+++ to D)
- Average Energy Consumption: 40.3 kWh/year
- Blower Efficiency Class: C*
- Lighting Efficiency Class: A
- Grease Filtering Efficiency Class: B
- Power rating: 108 W
- Noise level in recirculation mode:
Max. normal use: 69 dB(A) re 1 pW
- Extraction rate in recirculation mode:
Max. normal use: 257 m³/h

** In accordance with the EU-Regulation No 65/2014*

**Serie | 2, telescopic cooker hood, 60 cm,
Silver metallic
DFM064W54**



**Serie | 2, telescopic cooker hood, 60 cm,
Silver metallic
DFM064W54**

