

**Series 4, Washing machine, front loader, 8 kg, 1400 rpm  
WAN28282GB**



**Optional accessories**

WMZ2200 : Floor securing component  
WMZ2381 : Extension for cold water inlet /Aquastop

**Automatic washing machine with  
EcoSilence Drive™: quiet operation and  
durability that you can rely on.**

- **ActiveWater Plus:** For highly efficient use of water even with smaller loads thanks to automatic load detection.
- **SpeedPerfect:** perfectly clean in up to 65% less time\*.
- **Reload function:** forgot an item? Add it easily to the wash.
- **EcoSilence Drive™:** quiet and energy-efficient drive, with a 10-year warranty.
- **Hygiene Plus:** hygienic washing, effectively killing germs even at 40°.

**Technical Data**

Energy Efficiency Class: C

Weighted energy consumption in kWh per 100 washing cycles of eco 40-60 programme: 62 kWh

Maximum capacity in kg: 8.0 kg

The water consumption of the eco programme in liters per cycle: 47 l

Duration of eco 40-60 programme in hours and mins at rated capacity: 3:26 h

Spin-drying efficiency class of eco 40-60 programme: B

Airborne acoustical noise emission class: B

Airborne acoustical noise emissions : 75 dB(A) re 1 pW

Construction type: Free-standing

Height of removable worktop: -2 mm

Dimensions of the product: 848 x 598 x 550 mm

Net weight: 68.2 kg

Connection rating: 2300 W

Fuse protection: 10 A

Voltage: 220-240 V

Frequency: 50 Hz

Length of electrical supply cord: 210.0 cm

Door hinge: Left

Wheels: No

EAN code: 4242005347858

Installation type: Free-standing



4 242005 347858

## Series 4, Washing machine, front loader, 8 kg, 1400 rpm WAN28282GB

### Automatic washing machine with EcoSilence Drive™: quiet operation and durability that you can rely on.

#### Performance

- Energy Efficiency Class<sup>1</sup>: C
- Energy<sup>2</sup> / Water<sup>3</sup>: 62 kWh / 47 litres
- Load capacity: 1 - 8 kg
- Programme duration<sup>4</sup>: 3:26 h:min
- Spin drying efficiency class: B
- Spin speed<sup>\*\*</sup>: 0 - 1400 rpm
- Noise level: 75 dB (A) re 1 pW
- Noise efficiency class: B

#### Programmes/functions

- SpeedPerfect: perfectly clean in up to 65% less time. \*\*\*
- Standard programmes: cottons, easy care, delicates, wool hand wash
- Special programmes: Down Wear, Outdoor, Shirts, Mixed Load, Super Quick 15/30, Drum clean with reminder, jeans/ dark laundry, Wool/Handwash, Delicate/Silk programme

#### Key features

- Touch control buttons: Prewash, Rinse Plus, Ready in, Temperature selection, SpeedPerfect, start/pause with reload function, Spin speed reduction

#### Additional features

- Reload function: Flexibility to add or remove laundry items of any size even after start of the wash cycle.
- Large display for temperature, spin speed, remaining time, 24 hours end time delay and load recommendation
- Usage meter: counts completed programmes
- Drum volume: 55 litres
- Aqua Protection
- Fully electronic control dial for all wash and special programmes
- EcoSilence drive with 10 year warranty
- EcoSilence drive with 10 year warranty
- ActiveWater Plus: for highly efficient use of water even with smaller loads thanks to automatic load detection.
- AntiVibration Design - for more stability and quietness
- Foam detection system
- Safeguard monitoring system adjusts load distribution and programme settings to protect clothes
- No
- Buzzer to indicate the end of cycle
- Child lock
- Divider for Liquid Detergent
- Large silver-white door with 180° opening and 30 cm porthole
- Metal door catch
- Reload facility

#### Technical Information

- Slide-under installation
- Dimensions (H x W): 84.8 cm x 59.8 cm
- Appliance depth: 55.0 cm
- Appliance depth incl. door: 60.0 cm
- Appliance depth with open door: 101.7 cm

<sup>1</sup> Scale of Energy Efficiency Classes from A to G

<sup>2</sup> Energy consumption in kWh per 100 cycles (in programme Eco 40-60)

<sup>3</sup> Weighted water consumption in litres per cycle (in programme Eco 40-60)

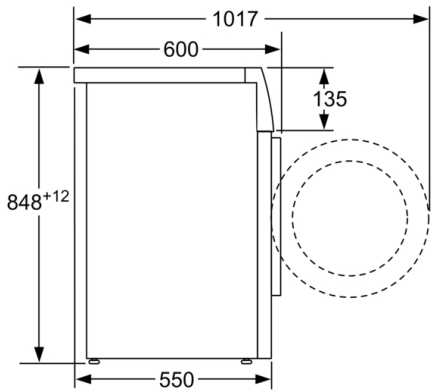
<sup>4</sup> Duration of Eco 40-60 programme

\*\* Values are rounded.

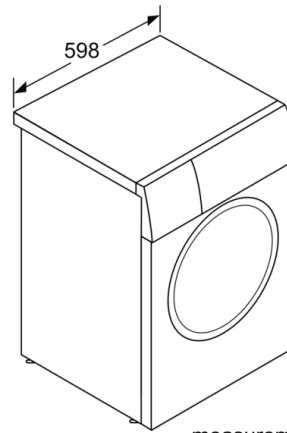
\*\*\* Comparison between the program duration of Easy-care 40°C and the program duration of Easy-care 40°C + activated Speed option

**Series 4, Washing machine, front loader, 8  
kg, 1400 rpm  
WAN28282GB**

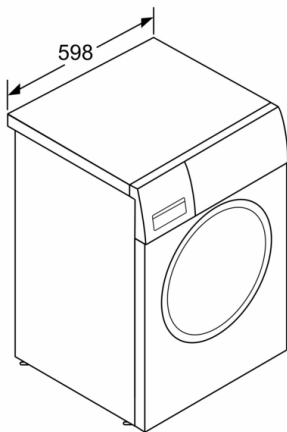
---



measurements in mm



measurements in mm



measurements in mm