

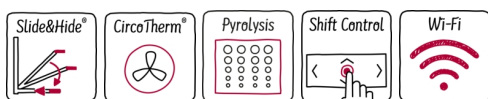
N 90, Built-in oven, 60 x 60 cm, Graphite-Grey
B57CS28G0



COOKING PASSION SINCE 1877



A



Built-in oven with Slide&Hide® - unrestricted access to the oven interior thanks to the fully retracting oven door with rotating handle

- ✓ Slide&Hide® - the door disappears underneath the oven for unrestricted access and the handle rotates for easy handling
- ✓ Circo Therm® - our smart hot-air solution for simultaneous baking and roasting on up to four levels
- ✓ Pyrolytic Self-Cleaning with Easy Clean - the duo for optimal cleaning: pyrolytic after heavy use and Easy Clean for in between
- ✓ ShiftControl - fast navigation through menus and simple operation with the TFT display
- ✓ Home Connect - rediscover your kitchen with our connected home appliances, from wherever you are

Features

Technical Data

Color / Material Front : Graphite
 Built-in / Free-standing : Built-in
 Integrated Cleaning system : Pyrolytic+Hydrolytic
 Min. required niche size for installation (HxWxD) : 585-595 x 560-568 x 550 mm
 Dimensions : 595 x 596 x 548 mm
 Dimensions of the packed product (HxWxD) : 660 x 690 x 650 mm
 Control Panel Material : Glass
 Door Material : Glass
 Net weight : 42.1 kg
 Usable volume of cavity : 71 l
 Heating modes : , 4D hot air, Bottom heat, Bread Baking Setting, Defrost setting, Dough proving, Full width grill, Gentle heating, Half width grill, Hot Air-Eco, Hot air grilling, Pizza setting, Top/bottom heat
 Oven control : electronic
 Number of interior lights : 1
 Length electrical supply cord : 120.0 cm
 EAN code : 4242004254614
 Number of cavities (2010/30/EC) : 1
 Energy efficiency class (2010/30/EC) : A
 Energy consumption per cycle conventional (2010/30/EC) : 0.90 kWh/cycle
 Energy consumption per cycle forced air convection (2010/30/EC) : 0.74 kWh/cycle
 Energy efficiency index (2010/30/EC) : 87.1 %
 Connection Rating : 3600 W
 Fuse protection : 16 A
 Voltage : 220-240 V
 Frequency : 50; 60 Hz
 Plug type : Gardy plug w/ earthing
 Included accessories : 1 x enamel baking tray, 1 x combination grid, 1 x universal pan

Optional accessories

Z11AB15A0 : Baking tray, non-stick ceramic coated , Z11AU15A0 : Universal pan, non-stick ceramic coated , Z11CR10X0 : Baking and roasting grid (standard) , Z11SZ00X0 : SeamlessCombination mounting kit , Z11SZ90G0 : SeamlessCombination 60 + 45cm , Z11TC10X0 : ComfortFlex Rail (1 level) , Z12CB10A0 : Baking tray, anthracite enamelled , Z12CL10A0 : Lid for professional pan, enamelled anth , Z12CN10A0 : Professional pan, anthracite enamelled , Z12CU10A0 : Multipurpose pan, anthracite enamelled , Z12TF36X0 : 3 level telescopic rails, full ext,pyro , Z13CV05S0 : Cover Strip , Z1913X0 : Baking Stone



4 242004 254614

Features

Type of oven / heating system:

- Oven with 13 heating methods: CircoTherm®, Hotair Eco, Conventional heat, Conventional heat ECO, Hot air grilling, Full surface grill, Half width grill, Pizza setting, Bread Baking, Bottom heat, Low temperature cooking, Defrost setting, Dough proving
- Temperature range 40 °C - 275 °C
- Cavity volume: 71 l

Hook-in racks / rails

- Number of shelf levels: 4 PC
- Telescopic shelf rail, 1-level flexible, full extension, with Stop function

Design:

- Graphite-Grey Edition
- Tipper illuminated
- Cavity inner surface: enamel

Cleaning:

- Pyrolytic self-cleaning function
- Easy Clean (program)
- Full glass inner door - safer touch door

Comfort:

- 4,1"-TFT color and graphics display with direct touch function
- Electronic clock
- Temperature proposal
Actual temperature display Optical temperature control
- Hide®, the fully retracting oven door
- Slide®, the revolving handle
- Supporting systems: Setting recommendations
- multipoint temperature probe
- Rapid heat
- Halogen interior lighting, Independent oven interior light button
- Cooling fan
- Stainless-steel fan
- Home Connect ready on Wi-Fi

Accessory:

- 1 x enamel baking tray, 1 x combination grid, 1 x universal pan

Environment and Safety:

- Very low door temperature
- Quadruple glass door panel glazed CoolTouch door
- Automatic door lock during pyrolysis
Individual adjustable child lock Residual heat indicator Start-/Stop button Door contact switch

Technical Information

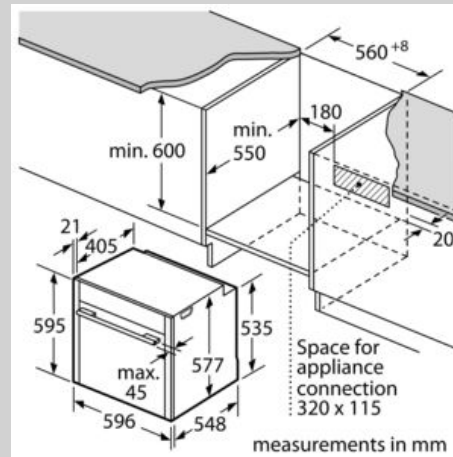
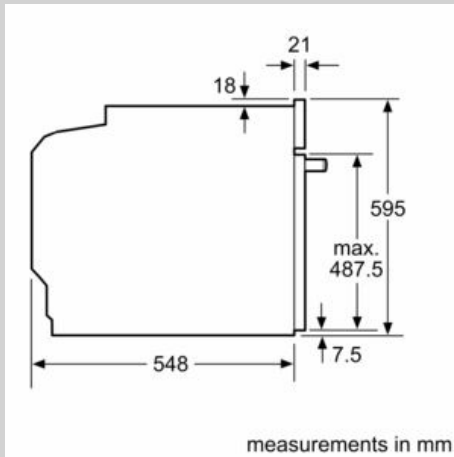
- Length of mains cable: 120 cm
- Nominal voltage: 220 - 240 V
- Total connected load electric: 3.6 KW
- Energy efficiency rating (acc. EU Nr. 65/2014): A (at a range of energy efficiency classes from A+++ to D)
Energy consumption per cycle in conventional mode: 0.9 kWh
Energy consumption per cycle in fan-forced convection mode: 0.74 kWh
Number of cavities: 1 Heat source: electrical Cavity volume: 71 l

Dimensions:

- Appliance dimension (HxWxD): 595 mm x 596 mm x 548 mm
- Niche dimension (HxWxD): 585 mm - 595 mm x 560 mm - 568 mm x 550 mm
- "Please reference the built-in dimensions provided in the installation drawing"
- We recommend you to choose complementary products within N90, in order to assure an optimal design combination of your Built-In appliances.

N 90, Built-in oven, 60 x 60 cm, Graphite-Grey
B57CS28G0

Dimensioned drawings



If the appliance will be installed underneath a hob, the following worktop thicknesses (including substructure if necessary) must be taken into account.

Hob type	min. worktop thickness	
	fitted	flush
Induction hob	37 mm	38 mm
Full surface Induction hob	47 mm	48 mm
Gas hob	30 mm	38 mm
Electric hob	27 mm	30 mm

