

Series 6, Built-In Microwave BEL524MS0



Included accessories

1 x grid
1 x Turntable

The built-in microwave for the 38 cm niche: use it for extra fast thawing, heating and perfect preparation of foods.

- **AutoPilot 8:** every dish is a perfect success thanks to 8 pre-set automatic programmes.
- **LED-display control, white:** easy-to-use thanks to direct access to additional functions.
- **Pop-out controls:** Make the front of the oven easy to clean and give it a sleek look.
- **Stainless steel interior:** easy to clean interior thanks to smooth surfaces and no sharp edges.
- **Cleaning Assistance:** less cleaning effort thanks to the new cleaning option, which can be especially used for cleaning of light soiling.

Technical Data

Type of micro-wave oven : MW+Grill function
Type of control : Electronic
Cavity dimensions : 201.0 x 308.0 x 282.0 mm
Length electrical supply cord : 130.0 cm
Gross weight : 19.5 kg
EAN code : 4242005038879
Maximum micro-wave power : 800 W
Fuse protection : 10 A
Voltage : 220-230 V
Frequency : 50 Hz
Plug type : Gardy plug w/ earthing
Cavity dimensions : 201.0 x 308.0 x 282.0 mm
Included accessories : 1 x grid, 1 x Turntable



4 242005 038879

Series 6, Built-In Microwave BEL524MS0

**The built-in microwave for the 38 cm niche:
use it for extra fast thawing, heating and
perfect preparation of foods.**

Dimensions:

- Appliance dimension (HxWxD): 382 mm x 594 mm x 317 mm
- Niche dimension (HxWxD): 362 mm - 365 mm x 560 mm - 568 mm x 300 mm
- "Please reference the built-in dimensions provided in the installation drawing"

Microwave and heating mode:

- Max. Power: 800 W; 5 Microwave power settings: 90 W, 180 W, 360 W, 600 W, 800 W
- Grill 1 KW
- Grill and microwave power levels 90 W, 180 W, 360 W combinable
- Microwave and grill for separate use
- Cavity volume: 20 l

Design:

- stainless steel cavity

Cleaning:

- Cleaning Assistance (manually)

Comfort:

- LED display control
- electronic clock
- Rotary Control, Pop-out controls, Touch control
- User-friendly electronics: extremely easy and comfortable operation
- AutoPilot 8
- 4 defrost and 3 cooking programmes in microwave function, 1 programmes for combination function
- Memory for individual programmes (1 setting)
- LED light
- 25.5 cm glass turntable
- side opening door, hinge left
- Electronic door opener
- Touch key operation

Accessory:

- 1 x Turntable, 1 x grid

Environment and Safety:

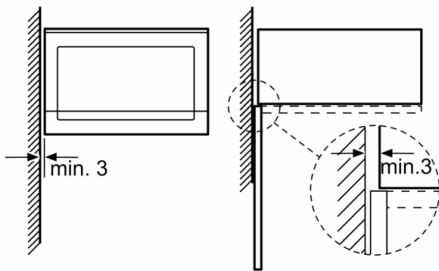
- Door contact switch
- Integral cooling fan

Technical Information

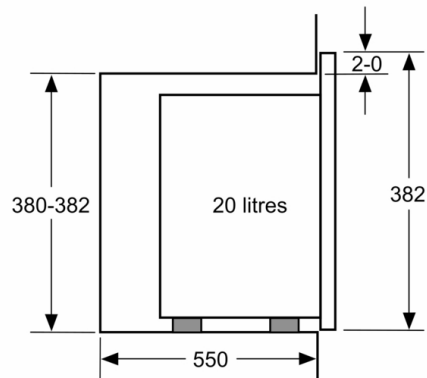
- Length of mains cable: 130 cm
- Total connected load electric: 1.27 KW
- Nominal voltage: 220 - 230 V
- suitable for high cupboard installation, can be built in a 60 cm wall cupboard (at least 30 cm deep)

Series 6, Built-In Microwave BEL524MS0

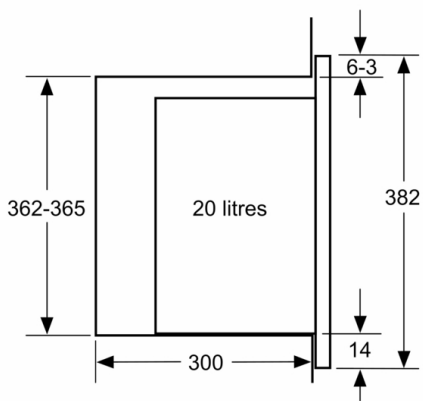
Microwave,
corner installation



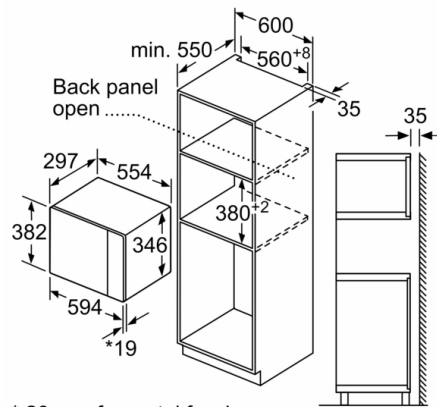
Measurements in mm



measurements in mm



measurements in mm



* 20 mm for metal fascia
measurements in mm