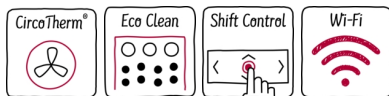


N 90, Built-in compact oven with microwave function, 60 x 45 cm, Graphite-Grey
C17MS22G0



Compact built-in oven with integral microwave - even more ways to cook quickly and conveniently in a very small space

- ✓ Circo Therm® - our smart hot-air solution for simultaneous baking and roasting on up to four levels
- ✓ Combined microwave and oven - the convenient solution to save space and time
- ✓ Eco Clean with Easy Clean - the duo that makes oven cleaning easier
- ✓ ShiftControl - fast navigation through menus and simple operation with the TFT display
- ✓ Home Connect - rediscover your kitchen with our connected home appliances, from wherever you are

Features

Technical Data

Type of micro-wave oven : MW-Combi
 Type of control : Electronic
 Dimensions : 455 x 596 x 548 mm
 Cavity dimensions : 237.0 x 480 x 392.0 mm
 Length electrical supply cord : 150.0 cm
 Net weight : 34.0 kg
 Gross weight : 36.3 kg
 EAN code : 4242004254461
 Maximum micro-wave power : 900 W
 Connection Rating : 3600 W
 Fuse protection : 16 A
 Voltage : 220-240 V
 Plug type : Gardy plug w/ earthing
 Cavity dimensions : 237.0 x 480 x 392.0 mm
 Included accessories : 1 x combination grid, 1 x universal pan



Optional accessories

Z11AB15A0 : Baking tray, non-stick ceramic coated , Z11AU15A0 : Universal pan, non-stick ceramic coated , Z11GU20X0 : Glasspan , Z11SZ00X0 : SeamlessCombination mounting kit , Z11SZ60G0 : SeamlessCombination 45 + 14cm , Z11SZ90G0 : SeamlessCombination 60 + 45cm , Z12CB10A0 : Baking tray, anthracite enamelled , Z12CM10A0 : Moussaka pan, anthracite enamelled , Z12CP10A0 : Pizza pan, anthracite enamelled , Z12CU10A0 : Multipurpose pan, anthracite enamelled , Z13CV05S0 : Cover Strip , Z13CV06S0 : Decor strip , Z14CR10X0 : Baking and roasting grid (microwave) , Z1913X0 : Baking Stone , Z19DD10X0 : Steam set for ovens

*N 90, Built-in compact oven with microwave
function, 60 x 45 cm, Graphite-Grey
C17MS22G0*

Features

Type of oven / heating system:

- Compact oven with microwave with 12 heating methods: CircoTherm®, Hotair Eco, Conventional heat, Conventional heat ECO, Hot air grilling, Full surface grill, Half width grill, Pizza setting, Bottom heat, Low temperature cooking, Dough proving, Plate warming
- Additional heating methods with microwave: microwave, combi microwave variable
- Max. Power: 900 W; 5 Microwave power settings (90 W, 180 W, 360 W, 600 W, max) with Inverter (MW)
- Intelligent inverter technology: maximum output power will be regulated to 600 W when used in longer operation
- Temperature range 30 °C - 300 °C
- Cavity volume: 45 l

Hook-in racks / rails

- Number of shelf levels: 3 PC

Design:

- Graphite-Grey Edition
- Tipper illuminated
- Cavity inner surface: enamel

Cleaning:

- Eco Clean: coating of back panel
- Easy Clean (program)

Comfort:

- 4,1"-TFT color and graphics display with direct touch function
- Electronic clock
- Temperature proposal
Actual temperature display Optical temperature control
- Number of automatic programmes: 14 PC
- Drop down door
- Bar handle
- Supporting systems: Setting recommendations, Programs
- Rapid heat
- LED light, Independent oven interior light button
- Cooling fan
- Stainless-steel fan
- Home Connect ready on Wi-Fi

Accessory:

- 1 x combination grid, 1 x universal pan

Environment and Safety:

- Low door temperature
- Triple glazed door glazed CoolTouch door
- Individual adjustable child lock
Residual heat indicator Start-/Stop button Door contact switch

Technical Information

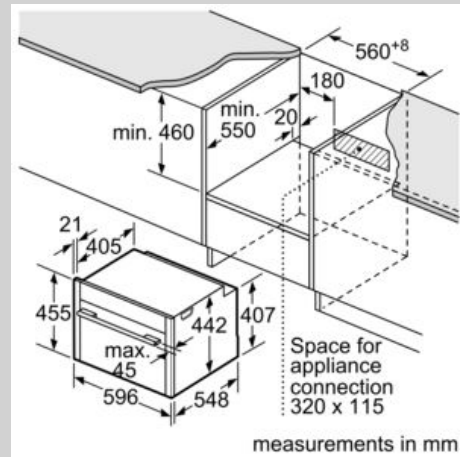
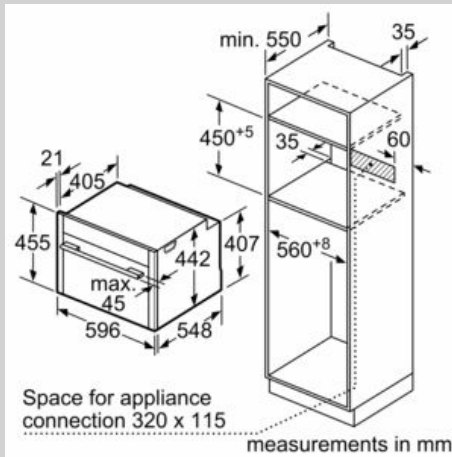
- Length of mains cable: 150 cm
- Nominal voltage: 220 - 240 V
- Total connected load electric: 3.6 KW

Dimensions:

- Appliance dimension (HxWxD): 455 mm x 596 mm x 548 mm
- Niche dimension (HxWxD): 450 mm - 455 mm x 560 mm - 568 mm x 550 mm
- "Please reference the built-in dimensions provided in the installation drawing"
- We recommend you to choose complementary products within N90, in order to assure an optimal design combination of your Built-In appliances.

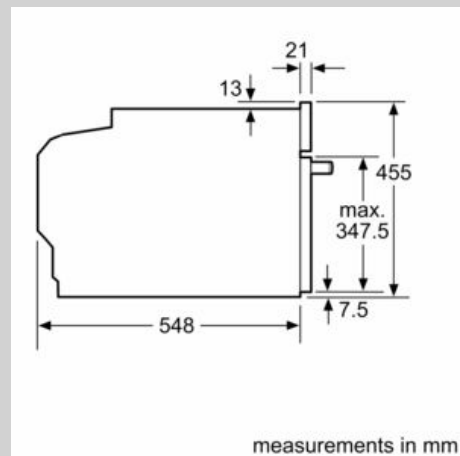
N 90, Built-in compact oven with microwave function, 60 x 45 cm, Graphite-Grey
C17MS22G0

Dimensioned drawings



If the compact appliance will be installed underneath a hob, the following worktop thicknesses (including substructure if necessary) must be taken into account.

Hob type	min. worktop thickness	
	fitted	flush
Induction hob	42 mm	43 mm
Full surface Induction hob	52 mm	53 mm
Gas hob	32 mm	43 mm
Electric hob	32 mm	35 mm



Installation with a hob.

