

**Series 2, Built-in oven, 60 x 60 cm,  
Stainless steel  
HBF011BR0**



**Included accessories**

1 x combination grid  
1 x universal pan

**Optional accessories**

HEZ317000 : Pizza pan, grey enamelled  
HEZ327000 : Pizza stone  
HEZ431002 : Baking tray, grey enamelled  
HEZ625071 : Grill tray, anthracite enamelled  
HEZ915003 : Glass roasting dish, 5,4 L

**The built-in oven with 3D hotair: achieve perfect baking and roasting results on up to three levels simultaneously.**

- **Hotair Gentle:** saves energy while baking and roasting.
- **3D Hotair:** even heat distribution for perfect results on up to three levels.

**Technical Data**

Color / Material Front : Stainless steel  
Built-in / Free-standing : Built-in  
Integrated Cleaning system : No  
Required niche size for installation (HxWxD) : 575-597 x 560-568 x 550 mm  
Dimensions : 595 x 594 x 548 mm  
Dimensions of the packed product (HxWxD) : 660 x 677 x 650 mm  
Control Panel Material : Stainless steel  
Door Material : Glass  
Net weight : 31.3 kg  
Usable volume of cavity : 66 l  
Heating modes : Full width variable grill, Hot Air, Hotair gentle, Hot air grilling, Top/bottom heat  
First cavity material : Other  
Oven control : mechanical  
Number of interior lights : 1  
Approval certificates : CE  
Length electrical supply cord : 100 cm  
EAN code : 4242005046911  
Number of cavities (2010/30/EC) : 1  
Energy efficiency class (2010/30/EC) : A  
Energy consumption per cycle conventional (2010/30/EC) : 0.98 kWh/cycle  
Energy consumption per cycle forced air convection (2010/30/EC) : 0.79 kWh/cycle  
Energy efficiency index (2010/30/EC) : 95.2 %  
Connection Rating : 3300 W  
Fuse protection : 16 A  
Voltage : 220-240 V  
Frequency : 50; 60 Hz  
Plug type : Gardy plug w/ earthing



## **Series 2, Built-in oven, 60 x 60 cm, Stainless steel**

### **HBF011BR0**

**The built-in oven with 3D hotair: achieve perfect baking and roasting results on up to three levels simultaneously.**

#### **Dimensions:**

- Appliance dimension (hxwxh): 595 mm x 594 mm x 548 mm
- Niche dimension (hxwxh): 575 mm - 597 mm x 560 mm - 568 mm x 550 mm
- "Please reference the built-in dimensions provided in the installation drawing"

---

#### **Type of oven / heating system:**

- Oven with 5 heating methods: 3D Hotair, Conventional heat, Hot air grilling, Hotair gentle, Full width variable grill
- Temperature range 50 °C - 270 °C
- Cavity volume: 66 l

#### **Hook-in racks / rails**

- Number of shelf levels: 5 PC
- Telescopic shelf rails as optional accessory

#### **Design:**

- Rotary Control
- Extra large capacity oven with grey enamel

#### **Cleaning:**

- Full glass inner door

#### **Comfort:**

- XM10TM
- Mechanical timer
- Bar handle
- Fast preheat
- Halogen interior lighting
- Integral cooling fan

#### **Accessory:**

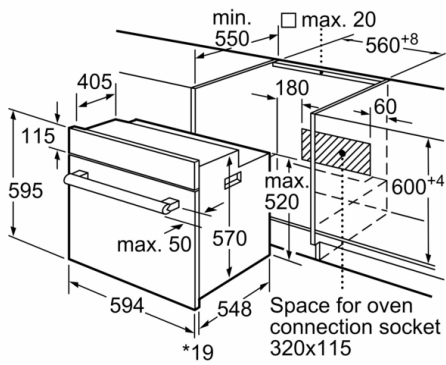
- universal pan, combination grid

#### **Environment and Safety:**

#### **Technical Information**

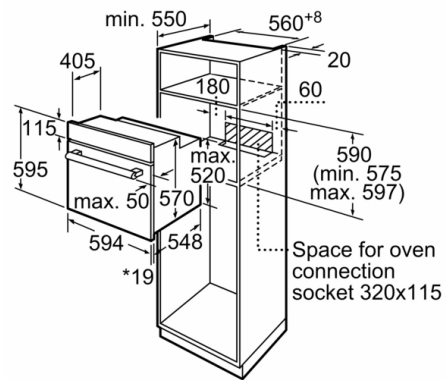
- Length of mains cable: 100 cm
- Nominal voltage: 220 - 240 V
- Total connected load electric: 3.3 KW
- Energy efficiency rating (acc. EU Nr. 65/2014): A(at a range of energy efficiency classes from A+++ to D)  
Energy consumption per cycle in conventional mode:0.98 kWh  
Energy consumption per cycle in fan-forced convection mode:0.79 kWh  
Number of cavities: 1 Heat source: electrical Cavity volume:66 l

**Series 2, Built-in oven, 60 x 60 cm, Stainless steel**  
**HBF011BR0**



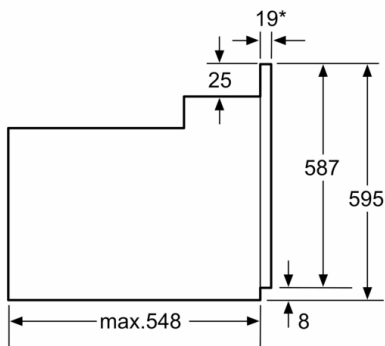
\* 20 mm for metal fascias

measurements in mm



\* 20 mm for metal fascias

measurements in mm



\* 20 mm for metal fascias

Dimensions in mm