

**Series 4, Built-in oven with added steam function, 60 x 60 cm, Stainless steel
HRA514BS0**



The built-in oven with added steam: achieve delicious baking results thanks to hotair steam heating mode.

- **Added Steam Function:** by adding steam, baked food turn out crispy on the outside and fluffy on the inside.
- **3D Hotair:** even heat distribution for perfect results on up to three levels.
- **Hotair Steam:** as heat and humidity are distributed equally in the oven interior food turns out crispy on the outside and juicy on the inside.
- **LED-display control, red:** easy-to-use thanks to the time functions.
- **Pop-out controls:** Make the front of the oven easy to clean and give it a sleek look.

Technical Data



4 242005 288953



Included accessories

- 1 x combination grid
- 1 x universal pan

Optional accessories

HEZ317000 Pizza pan, grey enamelled, HEZ327000 Pizza stone, HEZ333001 Lid for professional pan, HEZ530000 Half tray, HEZ531000 Baking tray, grey enamelled, HEZ531010 Baking tray, non-stick ceramic coated, HEZ532000 Multipurpose pan, grey enamelled, HEZ532010 Universal pan, non-stick ceramic coated, HEZ533000 Professional pan, grey enamelled, HEZ538000 1fold telescopic rail, level independent, HEZ538S00 3fold telescopic rails, incl 1 level indep, HEZ633001 Lid for professional pan, enamelled anth, HEZ633070 Professional pan, anthracite enamelled, HEZ634000 Baking and roasting grid (standard), HEZ636000 Glass pan, HEZ638200 2 level telescopic shelf rails, full ext, HEZ638300 3 level telescopic rails, full ext, HEZ915003 Glass roasting dish, 5,4 L, HEZGOAS00 Connecting cable 3m

Series 4, Built-in oven with added steam function, 60 x 60 cm, Stainless steel HRA514BS0

The built-in oven with added steam: achieve delicious baking results thanks to hotair steam heating mode.

Type of oven / heating system:

- Oven with 8 heating methods: 3D Hotair, Conventional heat, Hot air grilling, Full width grill, Pizza setting, Bottom heat, Hotair gentle, Hotair steam
- Temperature range 50 °C - 275 °C
- Cavity volume: 71 l

Hook-in racks / rails

- Number of shelf levels: 5 PC
- Telescopic shelf rails as optional accessory

Design:

- Rotary Control, Pop-out controls
- Extra large capacity oven with grey enamel

Cleaning:

- Cleaning Assistance (manually)
- Full glass inner door

Comfort:

- LED-display control (red)
- Electronic clock
- automatic start
Heating-up control
- Bar handle
- Fast preheat
- Halogen interior lighting
- Water bowl with a volume of 250 ml
- Integral cooling fan

Accessory:

- 1 x combination grid, 1 x universal pan

Environment and Safety:

- Child lock

Technical Information

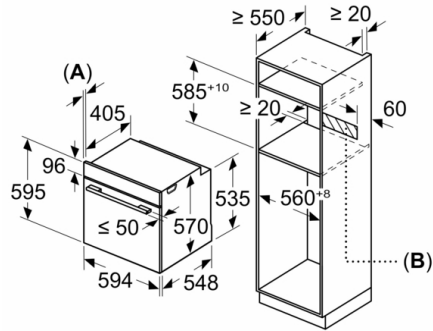
- Length of mains cable: 120 cm
- Nominal voltage: 220 - 240 V
- Total connected load electric: 3.4 kW
- Energy efficiency rating (acc. EU Nr. 65/2014): A(at a range of energy efficiency classes from A+++ to D)
Energy consumption per cycle in conventional mode:0.97 kWh
Energy consumption per cycle in fan-forced convection mode:0.81 kWh
Number of cavities: 1 Heat source: electrical Cavity volume:71 l

Dimensions:

- Appliance dimension (HxWxD): 595 mm x 594 mm x 548 mm
- Niche dimension (HxWxD): 585 mm - 595 mm x 560 mm - 568 mm x 550 mm
- "Please reference the built-in dimensions provided in the installation drawing"
- We recommend you to choose complementary products within Series 4, in order to assure an optimal design combination of your Built-In appliances.

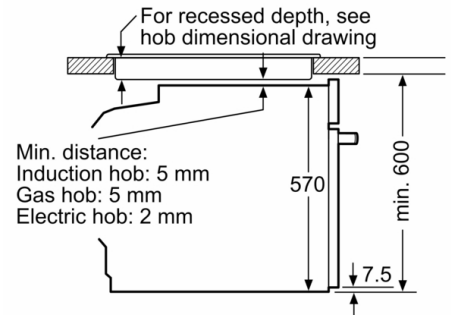
Series 4, Built-in oven with added steam function, 60 x 60 cm, Stainless steel HRA514BS0

Measurements in mm

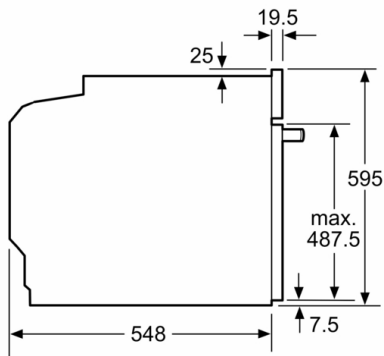


A: 19.5 mm
B: Space for appliance connection 320 x 115 mm

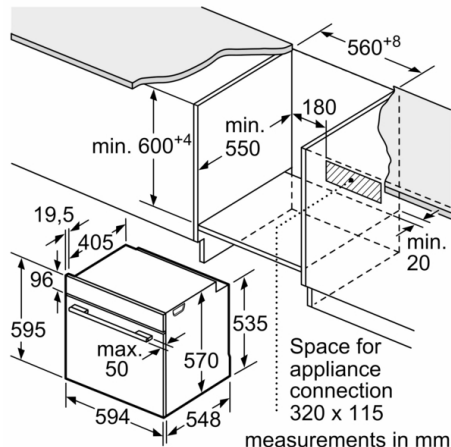
Installation with a hob.



measurements in mm



measurements in mm



measurements in mm