

**Series 6, Built-in oven with added steam function, 60 x 60 cm, Stainless steel
HRA558BS1**



Included accessories

1 x combination grid
1 x universal pan

Optional accessories

HEZ538000 : 1fold telescopic rail, level independent
HEZ538200 : 2 level telescopic shelf rails
HEZ636000 : Glass pan
HEZ638000 : Full ext rails, level independent
HEZ638300 : 3 level telescopic rails, full ext
HEZ660050 : Cover Strip

The built-in oven with AutoPilot and added steam: automatically prepares your dishes so they're crispy and juicy.

- **Added Steam Function:** by adding steam, foods turn out crispy on the outside and juicy on the inside.
- **Auto Pilot 30:** Perfectly cooks dishes thanks to 30 pre-set automatic programmes.
- **LCD-display control, white:** easy-to-use thanks to direct access to additional functions, temperature recommendation and temperature indication.
- **Pop-out controls:** Make the front of the oven easy to clean and give it a sleek look.
- **Eco Clean Direct:** easy cleaning thanks to a coating that breaks down grease while you bake.

Technical Data

Color / Material Front : Stainless steel
Built-in / Free-standing : Built-in
Integrated Cleaning system : Ecolyse coating all sides, Hydrolytic
Required niche size for installation (HxWxD) : 585-595 x 560-568 x 550 mm
Dimensions : 595 x 594 x 548 mm
Dimensions of the packed product (HxWxD) : 675 x 690 x 660 mm
Control Panel Material : Stainless steel
Door Material : Glass
Net weight : 35.2 kg
Usable volume of cavity : 71 l
Heating modes : : Bottom heat, Defrost setting, Full width grill, Gentle heating, Hot Air, Hotair gentle, Hot air grilling, Pizza setting, Top/bottom heat
First cavity material : Other
Oven control : electronic
Number of interior lights : 1
Approval certificates : CE, VDE
Length electrical supply cord : 120 cm
EAN code : 4242005151363
Number of cavities (2010/30/EC) : 1
Energy efficiency class (2010/30/EC) : A
Energy consumption per cycle conventional (2010/30/EC) : 0.97 kWh/cycle
Energy consumption per cycle forced air convection (2010/30/EC) : 0.81 kWh/cycle
Energy efficiency index (2010/30/EC) : 95.3 %
Connection Rating : 3600 W
Fuse protection : 16 A
Voltage : 220-240 V
Frequency : 50; 60 Hz
Plug type : GARDY plug w/ earthing
Included accessories : 1 x combination grid, 1 x universal pan



Series 6, Built-in oven with added steam function, 60 x 60 cm, Stainless steel HRA558BS1

The built-in oven with AutoPilot and added steam: automatically prepares your dishes so they're crispy and juicy.

Type of oven / heating system:

- Oven with 10 heating methods: 3D Hotair, Conventional heat, Hot air grilling, Full width grill, Pizza setting, Bottom heat, Low temperature cooking, Defrost, Hotair gentle, Regeneration with steam
- Heating modes combinable with steam function: 3D hotair, hotair grilling + steam, Top/bottom heat + steam
- Temperature range 30 °C - 275 °C
- Cavity volume: 71 l

Hook-in racks / rails

- Number of shelf levels: 5 PC
- Telescopic shelf rails as optional accessory

Design:

- Rotary Control, Pop-out controls
- Extra large capacity oven with grey enamel

Cleaning:

- EcoClean Direct: coating of ceiling, back panel, side liners
- EcoClean Direct program, Cleaning Assistance (manually)
- Full glass inner door

Comfort:

- LCD-display control (white)
- Electronic clock
- Temperature proposal automatic start Heating-up control
- AutoPilot 30
- Additional functions: descaling programme
- Bar handle
- Supporting systems: Programs
- Automatic rapid heating up
- Halogen interior lighting, Switch for oven illumination
- Water tank with a volume of 220 ml
- Location of the steam generator is outside of the cavity
- Integral cooling fan

Accessory:

- 1 x combination grid, 1 x universal pan

Environment and Safety:

- low door temperature
- Triple glazed door glazed CoolTouch door
- Child lock
- Residual heat indicator

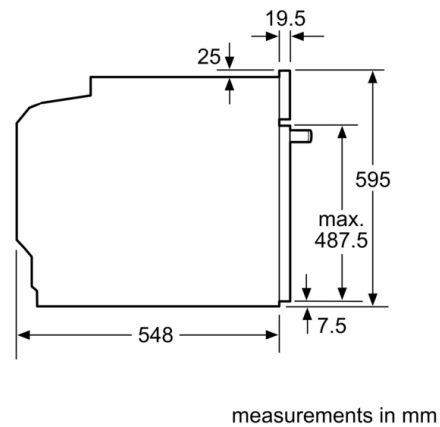
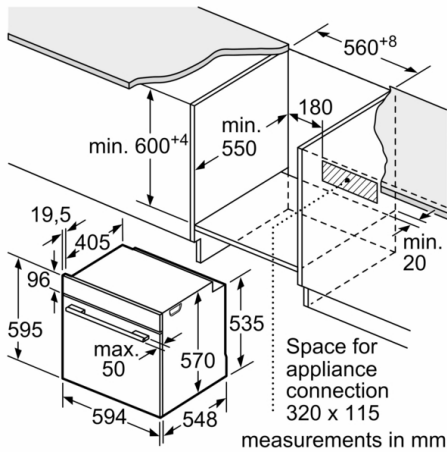
Technical Information

- Length of mains cable: 120 cm
- Nominal voltage: 220 - 240 V
- Total connected load electric: 3.6 KW
- Energy efficiency rating (acc. EU Nr. 65/2014): A(at a range of energy efficiency classes from A+++ to D)
Energy consumption per cycle in conventional mode:0.97 kWh
Energy consumption per cycle in fan-forced convection mode:0.81 kWh
Number of cavities: 1 Heat source: electrical Cavity volume:71 l

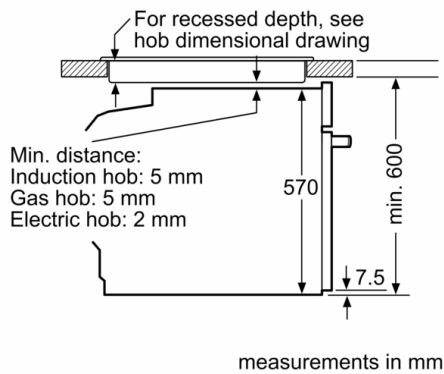
Dimensions:

- Appliance dimension (HxWxD): 595 mm x 594 mm x 548 mm
- Niche dimension (HxWxD): 585 mm - 595 mm x 560 mm - 568 mm x 550 mm
- "Please reference the built-in dimensions provided in the installation drawing"
- We recommend you to choose complementary products within Series 6, in order to assure an optimal design combination of your Built-In appliances.

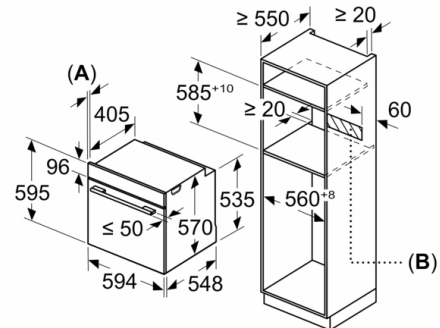
**Series 6, Built-in oven with added steam function, 60 x 60 cm, Stainless steel
HRA558BS1**



Installation with a hob.



Measurements in mm



A: 19.5 mm
B: Space for appliance connection 320 x 115 mm