

**Series 4, built-in fridge-freezer with freezer at bottom, 193.5 x 70.8 cm, flat hinge
KBN96VFE0**



Built-in fridge freezer with XXL capacity and VitaFresh <0°C>: big boost in fridge capacity and ideal storage conditions for all your food.

- It takes only a little more space in your kitchen to get a lot more space in your fridge
- **VitaFresh XXL <0°C>**: keeps food fresh for longer in extra-large climate-controlled fridge drawers.
- **No Frost**: You'll never have to defrost your freezer again.
- Reminds you if the door is not closed properly or another error happens.
- **Safety glass shelves**: Safe storage of your precious food thanks to particularly stable, shatterproof glass shelves.

Technical Data



Included accessories

- 3 x egg tray
- 1 x ice cube tray

Series 4, built-in fridge-freezer with freezer at bottom, 193.5 x 70.8 cm, flat hinge KBN96VFE0

Built-in fridge freezer with XXL capacity and VitaFresh <0°C>: big boost in fridge capacity and ideal storage conditions for all your food.

Performance and consumption

- Energy Class: E
- Total Volume: 383 l
- Net Fridge Volume : 285 l
- Net Freezer Volume : 98 l
- Annual Energy Consumption: 256 kWh/a
- Noise Level : 34 dB , B Class

Design and Styling

- LED with Soft Start in fridge section
- Built-in-refrigerator 2-door, Bottom Fre

Convenience & Safety

- NoFrost
- Fast Freeze Facility
- Connected appliance: Remote Monitoring and Control, iService Remote
- Separate, electronic temperature control, LED indicators
- Two Cooling Systems
- Super Cooling: automatic deactivation
- Optical and acoustic door open warning system, Acoustic warning system, Acoustic alarm if door left open
- Automatic defrost in fridge section

Fridge Compartment

- 5 PC safety glass shelves of which 4 are height adjustable
- 1 door bin(s) high, 3 door bin(s) small
- Bottle storage: Bottle grid

Freshness System

- 1 VitaFresh drawer with humidity control - Fruits and vegetables retain vitamins and stay fresh for longer.
- 1 VitaFresh <0°C> box - fish and meat stay fresh for longer

Freezer

- Freezing capacity 24h: 9.5 kg
- Temperature rise time : 13 H
- 3 transparent freezer drawers

Dimensions

- Appliance Dimensions (H x W x D): 193.5 cm x 70.8 cm x 54.8 cm
- Niche Dimension (H x W x D): 194.0 cm x 71.0 cm x 56.0 cm

Technical Information

- Door right hinged, reversible
- Height adjustable front feet
- Length of power cord: 230 cm
- Climate Class: SN-ST
- Nominal voltage: 220 - 240 V

Accessories

- egg tray
ice cube tray
- egg tray
ice cube tray

Country Specific Options

- Based on the results of the standard 24-hour test. Actual consumption depends on usage/position of the appliance.

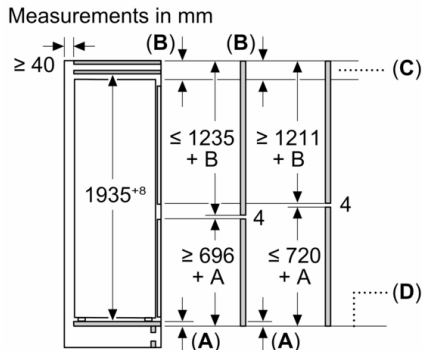
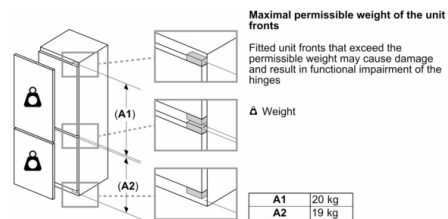
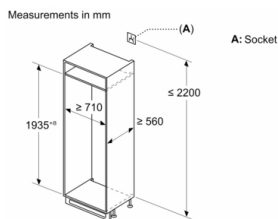
Environment and Safety

Installation

General Information

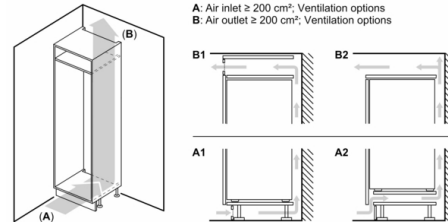
- Without Illumination in freezer section
- Heavy load hinge set

Series 4, built-in fridge-freezer with freezer at bottom, 193.5 x 70.8 cm, flat hinge KBN96VFE0

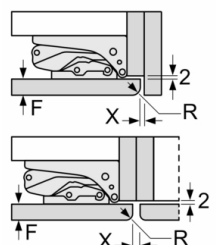


C: Front panel overhang

D: Lower edge of front panel



measurements in mm
Recommended gap dimensions for flat hinges



F	R	X
16-19	0-3	2.5
20	0-1	3
	2-3	2.5
21	0-1	3
	2-3	2.5
22	0	4
	1	3.5
	2-3	3

The gap dimensions recommended in the table must be adhered to in order to ensure that appliance doors do not collide with anything when they are opened, and to avoid causing damage to kitchen units.

