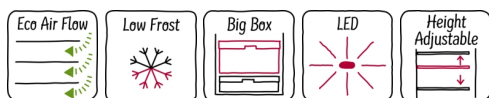


N 50, built-in fridge-freezer with freezer at bottom, 177.2 x 54.1 cm, sliding hinge  
KI5862SE0S



This built-in fridge-freezer with Fresh Safe 1 keeps fruits and vegs fresh, ensures ideal air circulation in the fridge.

- ✓ Eco Air Flow – Even air circulation for constant temperatures and fast cooling.
- ✓ Low Frost – Reduces frost in the freezer compartment for faster defrosting
- ✓ Big Box: Large pieces of frozen delicacies fit easily into this roomy drawer in your freezer
- ✓ LED Light – Pleasantly bright light in the entire fridge with long-life LEDs.
- ✓ Adjustable Glass Shelves – Height adjustable shelves create the space you need for inspiring dishes in your fridge

#### Features

##### Technical Data

Klasa efektywności energetycznej : E  
 Average annual energy consumption in kilowatt hour per year (kWh/a) : 229 kWh/annum  
 Sum of volume of frozen compartments : 84 l  
 Sum of volume of chill compartments : 183 l  
 Airborne acoustical noise emissions : 35 dB(A) re 1 pW  
 Airborne acoustical noise emission class : B  
 Built-in / Free-standing : Built-in  
 Door panel options : Not possible  
 Height : 1772 mm  
 Width of the appliance : 541 mm  
 Depth of the product : 550 mm  
 Min. required niche size for installation (HxWxD) : 1775.0 x 560 x 550 mm  
 Net weight : 50.7 kg  
 Fuse protection : 10 A  
 Door hinge : Right reversible  
 Voltage : 220-240 V  
 Frequency : 50 Hz  
 Length electrical supply cord : 230.0 cm  
 Number of compressors : 1  
 Number of independent cooling systems : 1  
 Interior ventilator : No  
 Reversible Door Hinge : Yes  
 Number of Adjustable Shelves in fridge compartment : 3  
 Shelves for Bottles : No  
 Frost free system : No  
 Installation typology : Full-integrated  
 Type of hinge : Follow-door



*N 50, built-in fridge-freezer with freezer at bottom,  
177.2 x 54.1 cm, sliding hinge  
KI5862SE0S*

## Features

- easy Installation

### Performance and consumption

#### Design and Styling

- LED interior light in fridge section

#### Convenience & Safety

- LED electronic control
- Super Cooling: No
- Super Freezing: manual activation
- Acoustic open door warning system

#### Fridge Compartment

- 4 safety glass shelves, thereof 3 height adjustable, Standard
- 3 door bins, thereof 1 dairy compartment and 1 bottle door bin(s) high
- 1 door bin(s) high
- 3 door bins, thereof 1 door bin(s) high

#### Freshness System

- 1 FreshSafe drawer with humidity control retains freshness for longer.

#### Freezer

- Low Frost
- 3 transparent freezer drawers, incl.1 big box

#### Dimensions

- Appliance Dimensions ( H x W x D): 177.2 cm x 54.1 cm x 54.8 cm
- Niche Dimension (H x W x D): 177.5 cm x 56.0 cm x 55.0 cm

#### Technical Information

- Door right hinged, reversible
- Nominal voltage: 220 - 240 V

#### Accessories

- egg tray  
ice cube tray
- egg tray  
ice cube tray

#### Country Specific Options

- Based on the results of the standard 24-hour test. Actual consumption depends on usage/position of the appliance.

#### Environment and Safety

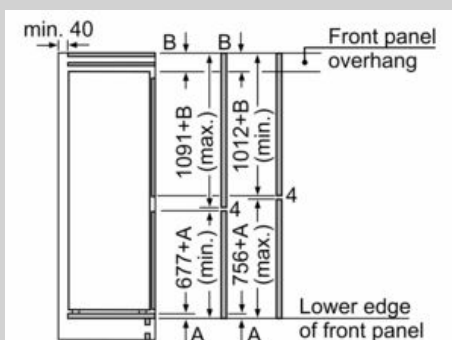
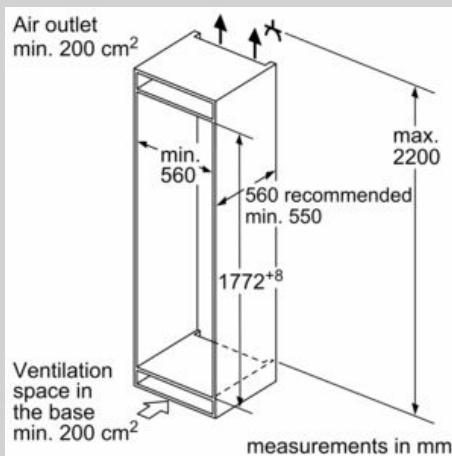
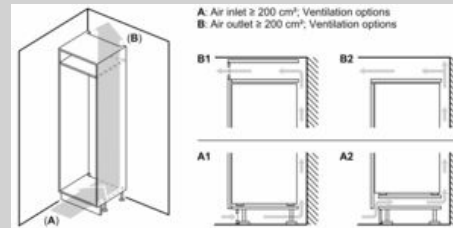
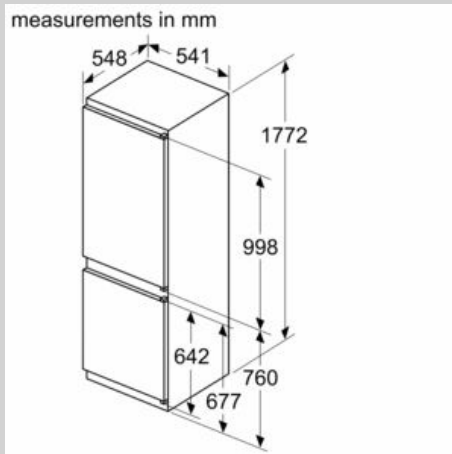
#### Installation

#### General Information

- Energy Class: E
- Total Volume: 267 l
- Net Fridge Volume : 183 l
- Net Freezer Volume : 84 l
- Net 4\* compartment volume : 84 l
- Freezing capacity 24h: 4.2 kg
- Annual Energy Consumption: 229 kWh/a
- Climate Class: SN-ST
- Fast Freeze Facility
- Noise Level : 35 dB , B Class
- Temperature rise time : 9 H
- Sliding hinge, Soft closing: no
- Type of hinge: Follow-door

N 50, built-in fridge-freezer with freezer at bottom,  
 177.2 x 54.1 cm, sliding hinge  
 KI5862SE0S

## Dimensioned drawings



The specified unit door dimensions are valid for a door gap of 4 mm.

measurements in mm