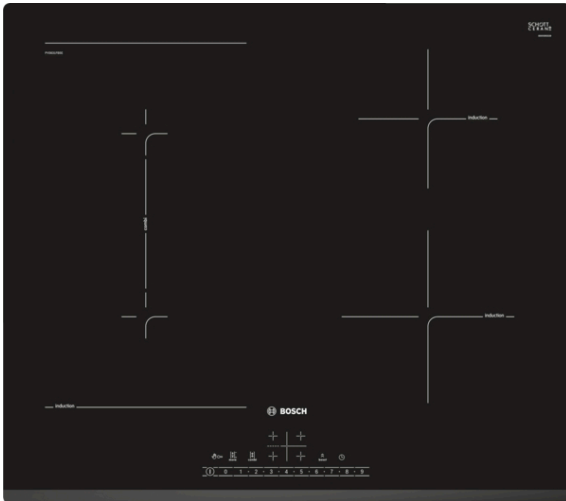


Series 6, Induction hob, 60 cm, Black, surface mount without frame PVS631FB5E



Optional accessories

- HEZ390090 : Wok Set consisting of 3 Items
- HEZ9ES100 : Espresso maker 4 cups
- HEZ9SE040 : 4 pieces Set
- HEZ9SE060 : 6 pieces Set

The CombiInduction hob: you can place large, oval or rectangular cookware on two connected cooking zones.

- **DirectSelect:** direct, simple selection of the desired cooking zone, power and additional functions.
- **Combi Zone:** combine two induction cooking zones to heat large cookware.
- **Front Bevel:** elegant, appealing design with bevelled front.
- **Power Boost:** up to 35% faster heating compared to highest power level.
- **Restart:** restores hob settings in case of an unintentional hob switch-off.

Technical Data

- Product name/family : Cooking zone ceramic
- Built-in / Free-standing : Built-in
- Energy input : Electric
- Total number of positions that can be used at the same time : 4
- Min. required niche size for installation (HxWxD) : 51 x 560-560 x 490-500 mm
- Dimensions of the packed product (HxWxD) : 126 x 753 x 608 mm
- Gross weight : 13.3 kg
- Residual heat indicator : yes
- Location of control panel : Hob front
- Basic surface material : Ceramic
- Color of surface : Black
- Length electrical supply cord : 110.0 cm
- EAN code : 4242005088713
- Voltage : 220-240 V
- Frequency : 50; 60 Hz



Series 6, Induction hob, 60 cm, Black, surface mount without frame PVS631FB5E

The CombiInduction hob: you can place large, oval or rectangular cookware on two connected cooking zones.

- 60 cm: space for 4 pots

Flexibility of cooking zones

- Combi Zone
: use bigger cookware by connecting two classic cooking zones into one large zone.
- Cooking zone front left: 190 mm, 210 mm, 2.2 KW (max. power 3.7 KW)
- Cooking zone rear left: 190 mm, 210 mm, 2.2 KW (max. power 3.7 KW)
- Cooking zone rear right: 145 mm , 1.4 KW (max power 2.2 KW)
- Cooking zone front right: 180 mm, 1.8 KW (max. power 3.1 KW)

Usage convenience

- DirectSelect: directly control the power with the imprinted touch bar.
- 17 power levels: precisely adapt the heat with 17 power levels (9 main levels and 8 intermediate levels).
- Switch off timer for every cooking zone
: switches off the cooking zone at the end of the time set (e.g. for boiled eggs).
- Count-down timer
: an alarm sounds at the end of the time set (e.g. for pasta).

Time saving & efficiency

- Power Boost for all zones : boil water more quickly thanks to 50% more energy than at the highest standard level.
- MoveMode (2 levels): increase or decrease the power level simply by moving the pot forwards or backwards.
- QuickStart Function: when switching on, the hob automatically selects the cooking zone with cookware (placed in off-mode).
- Restart Function: in case of unintentional switch-off, restore all previous settings by switching on the hob again within 4 seconds.

Design

- Bevelled front: finely bevelled glass in the front

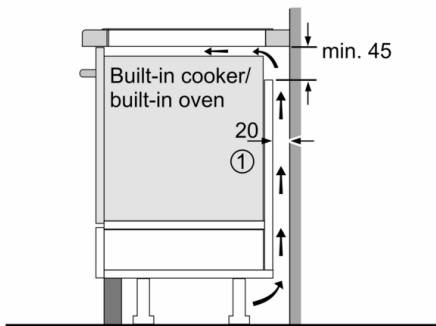
Safety

- Residual heat indicator (2 stage): indicates which cooking zones are still hot or warm.
- Childproof lock: prevent unintended activation of the hob.
- Wipe protection function: wipe overboiled liquids without unintentionally changing settings (blocking all touch buttons for 30 seconds).
- Main Switch: switch off all cooking zones at the touch of a button.
- Safety switch-off: for safety reasons, heating stops after a preset time without interaction (customizable).
- Energy consumption display: shows the electricity consumption of the last cooking process.

Installation

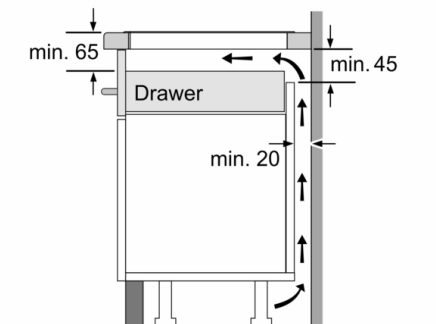
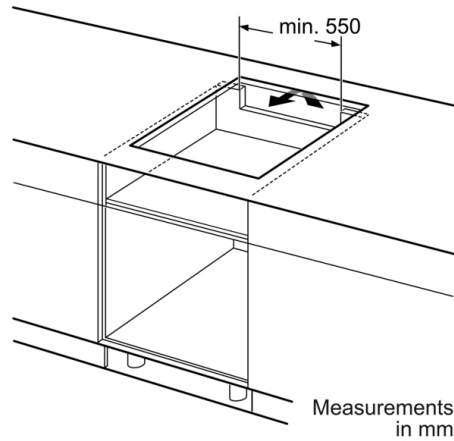
- Dimensions of the product (HxWxD mm): 51 x 592 x 522
- Required niche size for installation (HxWxD mm) : 51 x 560 x (490 - 500)
- Min. worktop thickness: 16 mm
- Connected load: 6900 W
- PowerManagement Function: limit the maximum power if needed (depends on fuse protection of electric installation).
- Power cord: 1.1 m without plug, loose insert in packaging (electrical connection by electrician necessary)

**Series 6, Induction hob, 60 cm, Black,
surface mount without frame
PVS631FB5E**



①
Ventilation gap must
be present

All measurements in mm



Measurements in mm

