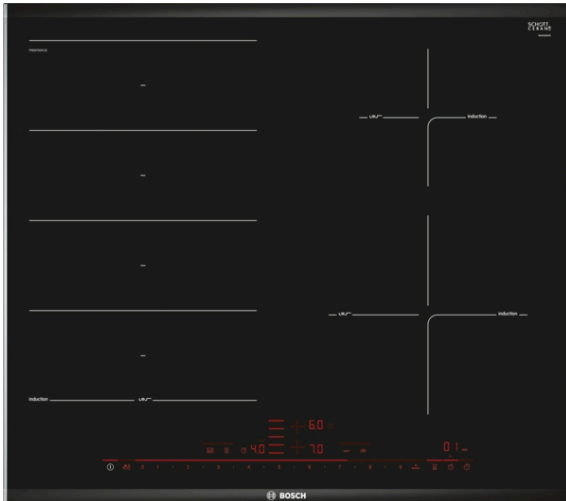


**Series 8, Flex induction hob, 60 cm,
Black, surface mount with frame
PXE675DC1E**



Optional accessories

- HEZ390011 : Stainless Steel roaster with glas lid
- HEZ390012 : Steaming Rack for Stainless Steel roaste
- HEZ390090 : Wok Set consisting of 3 Items
- HEZ390210 : System pan diameter 15 cm
- HEZ390512 : Teppan Yaki (large)
- HEZ390522 : Griddle Plate
- HEZ394301 : Connecting strip
- HEZ9ES100 : Espresso maker 4 cups
- HEZ9SE040 : 4 pieces Set
- HEZ9SE060 : 6 pieces Set

**The FlexInduction® hob: you can place
multiple pots and pans or large cookware
anywhere on the flexible cooking zone.**

- **DirectSelect Premium:** direct, simple selection of the desired cooking zone, power and additional functions.
- **FlexInduction:** more flexibility on your hob for large pots and pans.
- **PerfectFry:** no more worries about scorching.
- **Comfort Profile:** elegant, appealing design with bevelled front and metal strips on the side.
- **Move Mode:** divides the cooking zone in three power levels for boiling, cooking and simmering.

Technical Data

Product name/family : Cooking zone ceramic
 Built-in / Free-standing : Built-in
 Energy input : Electric
 Total number of positions that can be used at the same time : 4
 Min. required niche size for installation (HxWxD) : 51 x 560-560 x 490-500 mm
 Dimensions of the packed product (HxWxD) : 126 x 753 x 603 mm
 Gross weight : 15.3 kg
 Residual heat indicator : yes
 Location of control panel : Hob front
 Basic surface material : Ceramic
 Color of surface : Alu, brushed, Black
 Length electrical supply cord : 110.0 cm
 EAN code : 4242002849003
 Voltage : 220-240 V
 Frequency : 60; 50 Hz



Series 8, Flex induction hob, 60 cm, Black, surface mount with frame PXE675DC1E

The FlexInduction® hob: you can place multiple pots and pans or large cookware anywhere on the flexible cooking zone.

- 60 cm: space for 4 pots

Flexibility of cooking zones

- Flex Zone: use cookware of any shape or size anywhere within the 40cm long zone.
- Cooking zone front left: 240 mm, 190 mm, 2.2 KW (max. power 3.7 KW)
- Cooking zone rear left: 240 mm, 190 mm, 2.2 KW (max. power 3.7 KW)
- Cooking zone rear right: 145 mm, 1.4 KW (max power 2.2 KW)
- Cooking zone front right: 210 mm, 2.2 KW (max. power 3.7 KW)

Usage convenience

- DirectSelect Premium touch control: directly control the power on the extra large illuminated touch bar (invisible when switched off).
- 17 power levels: precisely adapt the heat with 17 power levels (9 main levels and 8 intermediate levels).
- Keep warm function for all cooking zones: keep dishes warm at preset low power level.
- Switch off timer for every cooking zone : switches off the cooking zone at the end of the time set (e.g. for boiled eggs).
- Count-down timer : an alarm sounds at the end of the time set (e.g. for pasta).
- Count-up timer : shows how much time has passed since starting the timer (e.g. for potatoes).

Time saving & efficiency

- Power Boost for all zones : boil water more quickly thanks to 50% more energy than at the highest standard level.
- Pan Boost: heat up pans more quickly than at the highest standard level while protecting the pan coating.
- Move Mode (3 levels): increase or decrease the power level simply by moving the pot forwards or backwards.
- QuickStart Function: when switching on, the hob automatically selects the cooking zone with cookware (placed in off-mode).
- Restart Function: in case of unintentional switch-off, restore all previous settings by switching on the hob again within 4 seconds.

Cooking assistance

- PerfectFry sensor with 5 temperature settings: prevents scorching with the automatic temperature regulation of the integrated sensor.

Design

- Comfort Profile: finely bevelled glass in the front and back and metal trims applied on the sides and front.

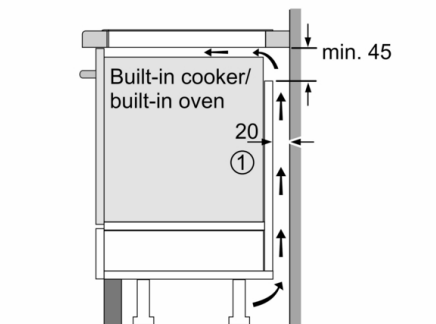
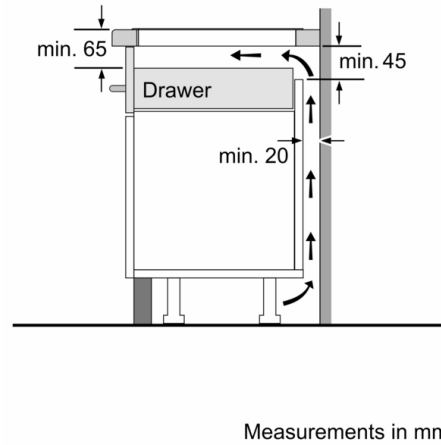
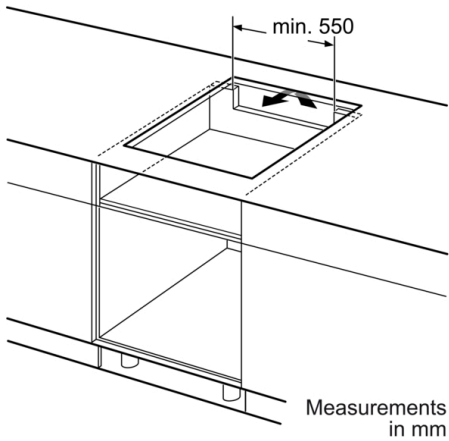
Safety

- Residual heat indicator (2 stage): indicates which cooking zones are still hot or warm.
- Childproof lock: prevent unintended activation of the hob.
- Wipe protection function: wipe overboiled liquids without unintentionally changing settings (blocking all touch buttons for 30 seconds).
- Main Switch: switch off all cooking zones at the touch of a button.
- Safety switch-off: for safety reasons, heating stops after a preset time without interaction (customizable).
- Energy consumption display: shows the electricity consumption of the last cooking process.

Installation

- Dimensions of the product (HxWxD mm): 51 x 606 x 527
- Required niche size for installation (HxWxD mm) : 51 x 560 x (490 - 500)
- Min. worktop thickness: 16 mm
- Connected load: 7400 W
- PowerManagement Function: limit the maximum power if needed (depends on fuse protection of electric installation).
- Power cord: 1.1 m without plug, loose insert in packaging (electrical connection by electrician necessary)

Series 8, Flex induction hob, 60 cm, Black, surface mount with frame PXE675DC1E



① Ventilation gap must be present

All measurements in mm

