

N 50, ceiling cooker hood, 90 cm  
I95CAQ6N0



COOKING PASSION SINCE 1877



A



Flush with the ceiling, the integrated ceiling hood leaves room for more

- ✓ Cooktop-based Hood Control – Adjust your hood's extraction level and lighting.
- ✓ Dimmer Function – dim the LED light conveniently with the button on the remote control
- ✓ Remote Control – comfortably control the ceiling hood with a remote
- ✓ Efficient Drive Motor – Quiet and energy-efficient hood motor for a calmer kitchen.
- ✓ Intensive Speed Setting – increases the extraction rate when cooking steam is intense

#### Features

##### Technical Data

Typology : Island/Ceiling  
Length electrical supply cord : 130.0 cm  
Min. required niche size for installation (HxWxD) : 299mm x 888.0mm x 487mm mm  
Minimum distance above an electric hob : 650 mm  
Minimum distance above a gas hob : 650 mm  
Net weight : 19.1 kg  
Type of control : Electronic  
Number of speed settings : 3-stage + 2 intensive  
Maximum output air extraction : 459 m<sup>3</sup>/h  
Boost position output recirculating : 565.0 m<sup>3</sup>/h  
Maximum output recirculating air : 422 m<sup>3</sup>/h  
Boost position air extraction : 798 m<sup>3</sup>/h  
Number of lights : 4  
Noise level : 56 dB(A) re 1 pW  
Diameter of air outlet : 150 mm  
Grease filter material : Washable stainless steel  
EAN code : 4242004235699  
Connection Rating : 174 W  
Voltage : 220-240 V  
Frequency : 50; 60 Hz  
Plug type : Gardy plug w/ earthing  
Installation typology : Island  
Delay Shut off modes : 10M min

#### Optional accessories

Z50XP0X0 Long Life odor filter (replacement)  
Z52JCC1N6 Clean Air Plus recirc. kit external inox  
Z53XXB1X6 Clean Air Plus odor filter (replacement)



4 242004 235699

## Features

- Energy Efficiency Class: A (at a range of energy efficiency classes from A+++ to D)
- Average Energy Consumption: 34 kWh/year
- Blower Efficiency Class: A
- Lighting Efficiency Class: A
- Grease Filtering Efficiency Class: E
- Noise min./max. Normal Level: 41/56 dB

### Variant:

### Design:

### Technical information

### Environment and safety:

### Comfort:

### Measures:

### Technical information

- Ceiling Hood stainless steel
- 90 cm
- 90 cm Ceiling, stainless steel
- Ceiling mounted hood
- Suitable for ducted or re-circulated extraction
- For recirculated extraction Clean Air recirculation kit (accessory) needed
- Cooktop-based Hood Control (with matching hob) (with matching cooktop)
- Home Connect for connected home appliances and operation via smartphone or tablet (only in countries where Home Connect service is available)
- The Home Connect functionality can be extended by integrating numerous applications from external cooperation partners (partnerships)
- Voice Control enabled via popular voice assistants (only in countries where this service is available)
- Electronic controls via remote control
- Infrared remote control
- 3 speeds plus 2 intensive
- Automatic revert setting
- Automatic 10 minutes after running
- interval function: available via Home Connect
- silence function: available via Home Connect
- Efficient BLDC-technology
- Twin channel high performance fan motor
- Turnable blower, air outlet on all four sides possible
- Extraction rate according to EN 61591 ø 15 cm:  
max. Normal use 458 m<sup>3</sup>/h  
Intensive 798 m<sup>3</sup>/h
- Noise level according to EN 60704-2-13 exhaust air:  
Max. normal use: 56 dB(A) re 1 pW  
Intensive: 68 dB(A) re 1 pW
- Max. extraction rate: 798 m<sup>3</sup>/h
- With the Clean Air Plus recirculation kit (available as optional accessory) your appliance reaches:  
Extraction rate in recirculation mode: Max. normal use: 422 m<sup>3</sup>/h  
Intensive: 565 m<sup>3</sup>/h  
Noise level in recirculation mode with Clean Air Plus odor filter :  
Max. normal use: 63 dB(A) re 1 pW  
Intensive: 69 dB(A) re 1 pW
- Rim Ventilation
- Filter cover stainless steel
- Metal grease filter, dishwasher safe
- Saturation indicator for grease filter and odor filter
- easy to clean inner frame in stainless steel
- 4 x 3W LED
- Light dimmer function
- Softlight
- Light Intensity: 659 lux
- Colour Temperature: 3500 K
- Electronic hob with 1-2

N 50, ceiling cooker hood, 90 cm  
195CAQ6N0



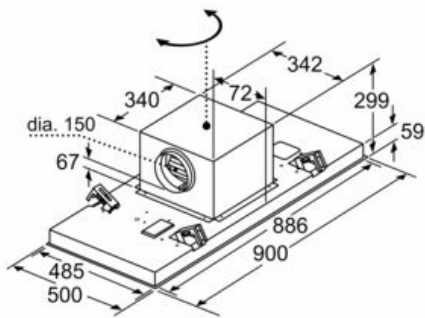
COOKING PASSION SINCE 1877

Features

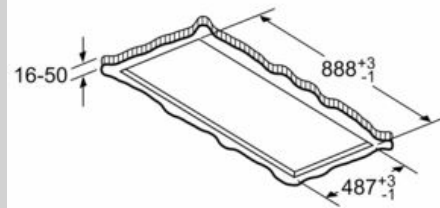
*\* In accordance with the EU-Regulation No 65/2014*

Dimensioned drawings

The fan outlet can be turned in all four directions



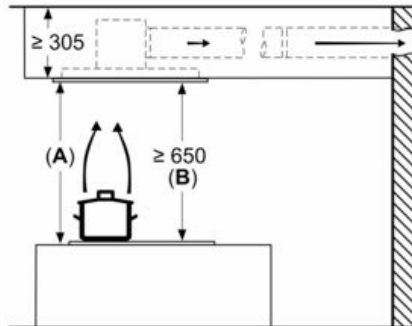
measurements in mm



Never fit directly onto plasterboard or similar lightweight construction materials of the suspended ceiling. A suitable substructure is required that is securely fixed to the concrete ceiling.

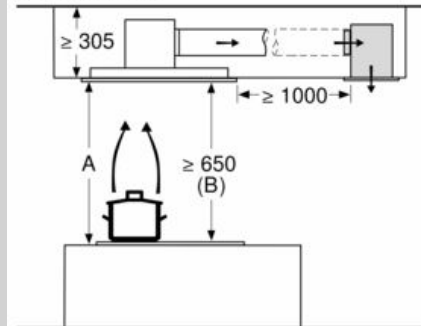
measurements in mm

measurements in mm  
Air extraction



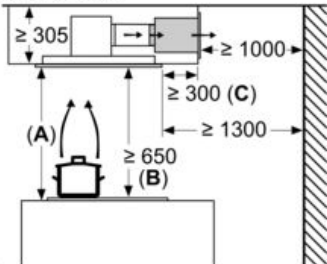
A: Optimum performance 700-1500  
B: From upper edge of pan support

measurements in mm  
Air recirculation



A: Optimum performance 700-1500  
B: From upper edge of pan support

measurements in mm  
Circulated air



A: Optimum performance 700-1500  
B: From upper edge of pan support  
C: The distance can be reduced by up to 70 mm provided that the height of the suspended ceiling is  $\geq 340$  mm.