

**Series 4, free-standing fridge-freezer  
with freezer at bottom, 203 x 70 cm,  
Black stainless steel  
KGN49VXDT**



**The No Frost bottom freezer with VitaFresh:  
Keeps your fresh foods fresh longer.**

- **VitaFresh XXL <0°C>**: keeps food fresh for longer in extra-large climate-controlled fridge drawers.
- **No Frost**: you'll never have to defrost your fridge-freezer again.
- **Glossy Backwall with Multi Airflow**: evenly circulates cool, fresh air to maintain consistent temperatures.
- **Perfect Fit**: place your fridge right next to walls or in a niche.
- **Automatic Super Freezing function**: optimal for freezing smaller food load faster whilst protecting your frozen items from defrosting, thanks to the detection of temperature increase and the automatic decrease of temperature

---

**Technical Data**

---



---

**Included accessories**

- 3 x egg tray
- 1 x ice cube tray

## Series 4, free-standing fridge-freezer with freezer at bottom, 203 x 70 cm, Black stainless steel KGN49VXDT

### The No Frost bottom freezer with VitaFresh: Keeps your fresh foods fresh longer.

- Total NoFrost - never defrost again, Bottom freezer
- black inox-antifingerprint Doors

#### Performance and consumption

- Energy Class: D
- Total Volume: 440 l
- Net Fridge Volume : 311 l
- Net Freezer Volume : 129 l
- Freezing capacity 24h: 11 kg
- Annual Energy Consumption: 223 kWh/a
- Climate Class: SN-T
- Fast Freeze Facility
- Noise Level : 35 dB , B Class
- Temperature rise time : 18 H

#### Design and Styling

- Doors black inox-antifingerprint, side panels cast iron
- White glossy backwall with Multi-Airflow
- vertical handle
- LED with Soft Start in fridge section

#### Convenience & Safety

- Total NoFrost - never defrost again
- Separate, electronic temperature control, LED indicators
- Two Cooling Systems
- Super Cooling: automatic deactivation
- Optical and acoustic door open warning system
- Visual and acoustic warning system in case of malfunction of the freezer compartment
- Super Freezing: Manual/automatic activation

#### Fridge Compartment

- Multi Airflow-System
- 5 PC safety glass shelves of which 3 are height adjustable
- Bottle storage: Bottle grid
- 1 door bin(s) high, 3 door bin(s) small
- 4 door bins, thereof 1 door bin(s) high

#### Freshness System

- 1 VitaFresh ◀0°C▶ drawer - Fish and meat stay fresh for longer
- 1 VitaFresh drawer with humidity control - Fruits and vegetables retain vitamins and stay fresh for longer.

#### Freezer

- 3 transparent freezer drawers

#### Dimensions

- Appliance Dimensions ( H x W x D): 203 cm x 70 cm x 66.7 cm

#### Technical Information

- reversible, Door right hinged
- Height adjustable front feet
- Length of power cord: 240 cm
- Nominal voltage: 220 - 240 V

#### Accessories

- egg tray  
ice cube tray
- egg tray  
ice cube tray

#### Country Specific Options

- Based on the results of the standard 24-hour test. Actual consumption depends on usage/position of the appliance.

#### Environment and Safety

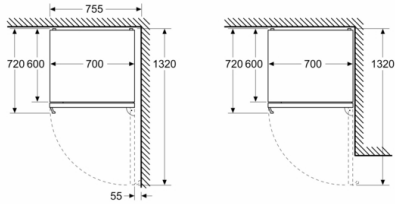
#### Installation

#### General Information

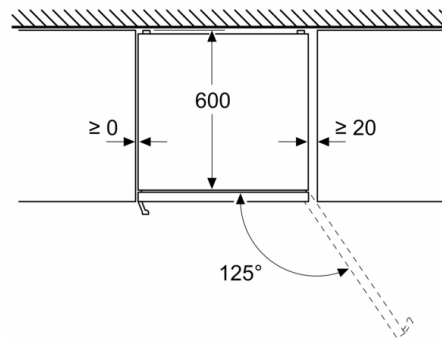
- Compressor TechnologCompressor: inverter compressor

**Series 4, free-standing fridge-freezer with  
freezer at bottom, 203 x 70 cm, Black  
stainless steel  
KGN49VXDT**

Measurements in mm



Measurements in mm



Measurements in mm

