

**Series 4, Built-in oven, 60 x 60 cm,
Black
HBA2140B0**



Included accessories

1 x combination grid
1 x universal pan

Optional accessories

HEZ538000 : 1fold telescopic rail, level independent
HEZ538200 : 2 level telescopic shelf rails
HEZ538S00 : 3fold telescopic rails, incl 1 level indep
HEZ638200 : 2 level telescopic shelf rails, full ext
HEZ638300 : 3 level telescopic rails, full ext
HEZG0AS00 : Connecting cable 3m

The built-in oven with 3D hotair: achieve perfect baking and roasting results on up to three levels simultaneously.

- **LED-display control, red:** easy-to-use thanks to the time functions.
- **Pop-out controls:** Make the front of the oven easy to clean and give it a sleek look.
- **Cleaning Assistance:** less cleaning effort thanks to the new cleaning option, which can be especially used for cleaning of light soiling.
- **1-stage telescopic rails, level independent:** can be placed in any baking level.
- **Hotair Gentle:** saves energy while baking and roasting.

Technical Data

Color / Material Front : Black
Built-in / Free-standing : Built-in
Integrated Cleaning system : Hydrolytic
Required niche size for installation (HxWxD) : 585-595 x 560-568 x 550 mm
Dimensions : 595 x 594 x 548 mm
Dimensions of the packed product (HxWxD) : 675 x 690 x 660 mm
Control Panel Material : Glass
Door Material : Glass
Net weight : 31.8 kg
Usable volume of cavity : 71 l
Heating modes : : Bottom heat, Full width grill, Hot Air, Hotair gentle, Hot air grilling, Pizza setting, Top/bottom heat
First cavity material : Other
Oven control : mechanical
Number of interior lights : 1
Approval certificates : CE, VDE
Length electrical supply cord : 120 cm
EAN code : 4242005356546
Number of cavities (2010/30/EC) : 1
Energy efficiency class (2010/30/EC) : A
Energy consumption per cycle conventional (2010/30/EC) : 0.97 kWh/cycle
Energy consumption per cycle forced air convection (2010/30/EC) : 0.81 kWh/cycle
Energy efficiency index (2010/30/EC) : 95.3 %
Connection Rating : 3400 W
Fuse protection : 16 A
Voltage : 220-240 V
Frequency : 50; 60 Hz
Plug type : Gardy plug w/ earthing
Included accessories : 1 x combination grid, 1 x universal pan



Series 4, Built-in oven, 60 x 60 cm, Black HBA2140B0

The built-in oven with 3D hotair: achieve perfect baking and roasting results on up to three levels simultaneously.

Dimensions:

- Appliance dimension (HxWxD): 595 mm x 594 mm x 548 mm
- Niche dimension (HxWxD): 585 mm - 595 mm x 560 mm - 568 mm x 550 mm
- "Please reference the built-in dimensions provided in the installation drawing"

Type of oven / heating system:

- Oven with 7 heating methods: 3D Hotair, Conventional heat, Hot air grilling, Full width grill, Pizza setting, Bottom heat, Hotair gentle
- Temperature range 50 °C - 275 °C
- Cavity volume: 71 l

Hook-in racks / rails

- Number of shelf levels: 5 PC
- 1-fold telescopic rail, level independent, with Stop function

Design:

- Rotary Control, Pop-out controls
- Extra large capacity oven with grey enamel

Cleaning:

- Cleaning Assistance (manually)
- Full glass inner door

Comfort:

- LED-display control (red)
- Electronic clock
- automatic start
- Heating-up control
- Bar handle
- Fast preheat
- Halogen interior lighting
- Integral cooling fan

Accessory:

- 1 x combination grid, 1 x universal pan

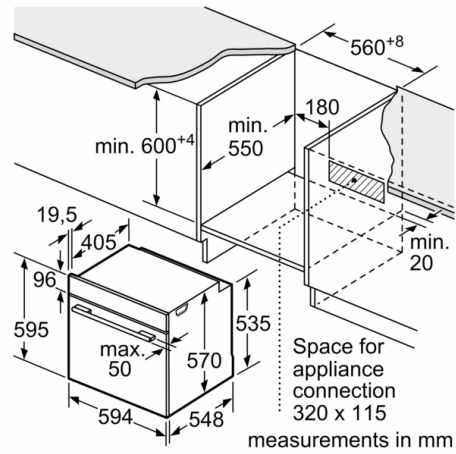
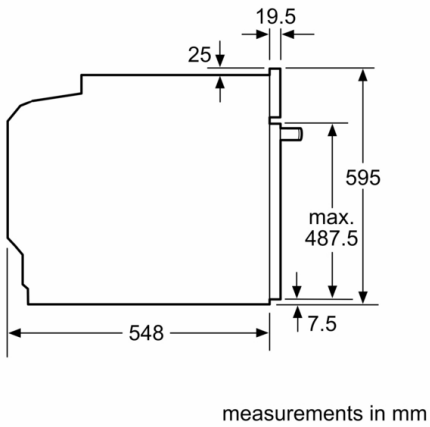
Environment and Safety:

- Child lock

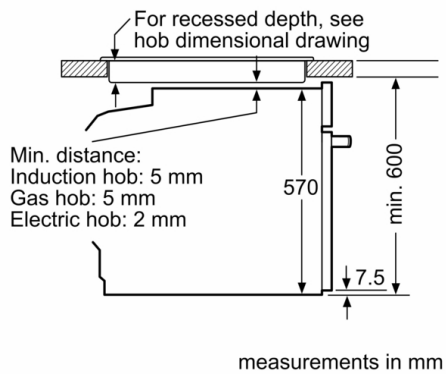
Technical Information

- Length of mains cable: 120 cm
- Nominal voltage: 220 - 240 V
- Total connected load electric: 3.4 KW
- Energy efficiency rating (acc. EU Nr. 65/2014): A(at a range of energy efficiency classes from A+++ to D)
Energy consumption per cycle in conventional mode:0.97 kWh
Energy consumption per cycle in fan-forced convection mode:0.81 kWh
Number of cavities: 1 Heat source: electrical Cavity volume:71 l

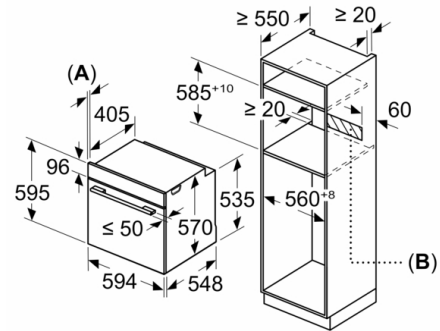
**Series 4, Built-in oven, 60 x 60 cm, Black
HBA2140B0**



Installation with a hob.



Measurements in mm



A: 19.5 mm
B: Space for appliance connection 320 x 115 mm