

**Series 4, Built-in oven, 60 x 60 cm,
Stainless steel
HBA533BS1**



The built-in oven with 3D hotair: achieve perfect baking and roasting results on up to three levels simultaneously.

- **3D Hotair:** even heat distribution for perfect results on up to three levels.
- **LED-display control, red:** easy-to-use thanks to the time functions.
- **Pop-out controls:** Make the front of the oven easy to clean and give it a sleek look.
- **Eco Clean Direct:** less cleaning effort thanks to a special coating of the rear wall that automatically absorbs grime.
- **Cooking tips:** Access practical cooking advice via the Home Connect app.

Technical Data

Color / Material Front : Stainless steel
 Built-in / Free-standing : Built-in
 Integrated Cleaning system : Catalytic partial
 Min. required niche size for installation (HxWxD) : 585-595 x 560-568 x 550 mm
 Dimensions : 595 x 594 x 548 mm
 Dimensions of the packed product (HxWxD) : 675 x 690 x 660 mm

Control Panel Material : Stainless steel

Door Material : Glass

Net weight : 31.2 kg

Usable volume of cavity : 71 l

Heating modes : : Full width grill, Hot Air, Hotair gentle, Hot air grilling, Top/bottom heat

First cavity material : Other

Oven control : mechanical

Number of interior lights : 1

Length electrical supply cord : 120.0 cm

EAN code : 4242005126033

Number of cavities (2010/30/EC) : 1

Energy efficiency class (2010/30/EC) : A

Energy consumption per cycle conventional (2010/30/EC) : 0.97 kWh/cycle

Energy consumption per cycle forced air convection (2010/30/EC) : 0.81 kWh/cycle

Energy efficiency index (2010/30/EC) : 95.3 %

Connection Rating : 3400 W

Fuse protection : 16 A

Voltage : 220-240 V

Frequency : 50; 60 Hz

Plug type : Gardy plug w/ earthing

Included accessories : 1 x combination grid, 1 x universal pan

Included accessories

1 x combination grid
 1 x universal pan

Optional accessories

HEZ317000 Pizza pan, grey enamelled, HEZ327000 Pizza stone, HEZ333001 Lid for professional pan, HEZ530000 Half tray, HEZ531000 Baking tray, grey enamelled, HEZ531010 Baking tray, non-stick ceramic coated, HEZ532000 Multipurpose pan, grey enamelled, HEZ532010 Universal pan, non-stick ceramic coated, HEZ533000 Professional pan, grey enamelled, HEZ538000 1fold telescopic rail, level independent, HEZ538200 D level telescopic shelf rails, HEZ538S00 3fold telescopic rails, incl 1 level indep, HEZ625071 Grill tray, anthracite enamelled, HEZ633001 Lid for professional pan, enamelled anth, HEZ633070 Professional pan, anthracite enamelled, HEZ634000 Baking and roasting grid (standard), HEZ636000 Glass pan, HEZ638000 Full ext rails, level independent, HEZ638200 2 level telescopic shelf rails, full ext, HEZ638300 3 level telescopic rails, full ext, HEZ660050 Cover Strip, HEZ664000 Baking and roasting grid (steam), HEZ915003 Glass roasting dish, 5,4 L, HEZG0AS00 Connecting cable 3m



Series 4, Built-in oven, 60 x 60 cm, Stainless steel HBA533BS1

The built-in oven with 3D hotair: achieve perfect baking and roasting results on up to three levels simultaneously.

Dimensions:

- Appliance dimension (HxWxD): 595 mm x 594 mm x 548 mm
- Niche dimension (HxWxD): 585 mm - 595 mm x 560 mm - 568 mm x 550 mm
- "Please reference the built-in dimensions provided in the installation drawing"
- We recommend you to choose complementary products within Series 4, in order to assure an optimal design combination of your Built-In appliances.

Type of oven / heating system:

- Oven with 5 heating methods: 3D Hotair, Conventional heat, Hot air grilling, Full width grill, Hotair gentle
- Temperature range 50 °C - 275 °C
- Cavity volume: 71 l

Hook-in racks / rails

- Number of shelf levels: 5 PC
- Telescopic shelf rails as optional accessory

Design:

- Rotary Control, Pop-out controls
- Extra large capacity oven with grey enamel

Cleaning:

- EcoClean Direct: coating of back panel
- Full glass inner door

Comfort:

- LED-display control (red)
- Electronic clock
- automatic start
Heating-up control
- Bar handle
- Fast preheat
- Halogen interior lighting
- Integral cooling fan

Accessory:

- 1 x combination grid, 1 x universal pan

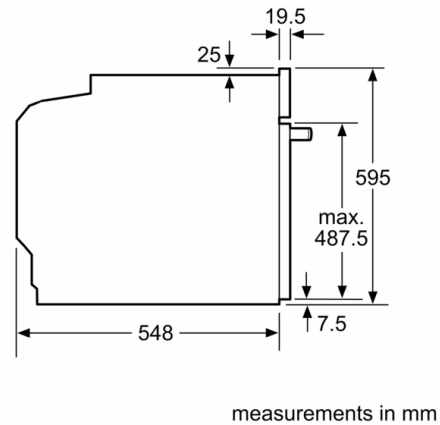
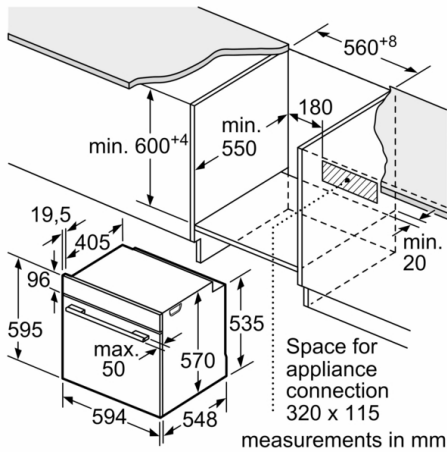
Environment and Safety:

- Child lock

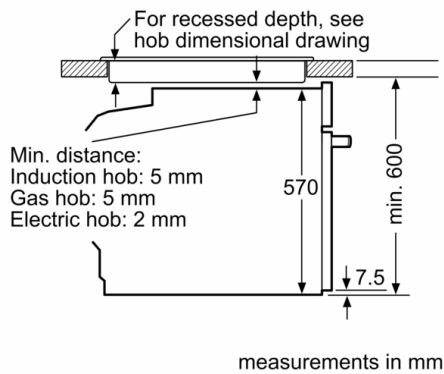
Technical Information

- Length of mains cable: 120 cm
- Nominal voltage: 220 - 240 V
- Total connected load electric: 3.4 KW
- Energy efficiency rating (acc. EU Nr. 65/2014): A(at a range of energy efficiency classes from A+++ to D)
Energy consumption per cycle in conventional mode:0.97 kWh
Energy consumption per cycle in fan-forced convection mode:0.81 kWh
Number of cavities: 1 Heat source: electrical Cavity volume:71 l

Series 4, Built-in oven, 60 x 60 cm, Stainless steel
HBA533BS1



Installation with a hob.



Measurements in mm

