

**Series 4, Built-in oven, 60 x 60 cm,  
Stainless steel  
HBA573BS1**



A

**The built-in oven with AutoPilot:  
automatically prepares perfect dishes.**

- **3D Hotair:** even heat distribution for perfect results on up to three levels.
- **Auto Pilot 10:** every dish is a perfect success thanks to 10 pre-set automatic programmes.
- **LED-display control, red:** easy-to-use thanks to the time functions.
- **Pop-out controls:** Make the front of the oven easy to clean and give it a sleek look.
- **Pyrolytic self-cleaning:** automatically cleans the oven, just wipe out the ash.

**Technische Daten**



**Zubehör**

1 x combination grid  
1 x universal pan

**Zusätzlich erhältliches Zubehör**

HEZ317000 Pizzaform, emailliert, grau, HEZ327000 Backstein, HEZ333001 Deckel für Profi-Pfanne, HEZ530000 2 Universalpfannen, schmales Format, HEZ531000 Backblech, emailliert, grau, HEZ531010 Backblech, Keramik antihaft beschichtet, HEZ532000 Universalpfanne, emailliert, grau, HEZ532010 Universalpfanne, Keramik antihaft, HEZ533000 Profi-Pfanne, emailliert, grau, HEZ538000 1-fach Teleskopauszug, ebenenunabhängig, HEZ538200 Teleskopauszug 2-fach, HEZ538S00 Teleskopausz. 3fach, davon 1 ebenenunab., HEZ625071 Grillblech, emailliert, anthrazit, HEZ633001 Deckel für Profipfanne, emailliert, anth, HEZ633070 Profi-Pfanne, emailliert, anthrazit, HEZ634000 Back- und Bratrost (Standard), HEZ636000 Glaspfanne, HEZ638000 Teleskopüberauszug, ebenenunabhängig, HEZ638200 Teleskop-Vollauszug 2-fach, HEZ638300 Teleskop-Vollauszug 3-fach, HEZ660050 Verblendleiste für Sockel, HEZ664000 Back- und Bratrost (Dampf), HEZ915003 Glasbräter 5,4 l, HEZG0AS00 Anschlusskabel 3m

## **Series 4, Built-in oven, 60 x 60 cm, Stainless steel HBA573BS1**

### **The built-in oven with AutoPilot: automatically prepares perfect dishes.**

---

#### **Type of oven / heating system:**

- Oven with 5 heating methods: 3D Hotair, Conventional heat, Hot air grilling, Full width grill, Hotair gentle
- Temperature range 50 °C - 275 °C
- Cavity volume: 71 l

#### **Hook-in racks / rails**

- Number of shelf levels: 5 PC
- Telescopic shelf rails as optional accessory

#### **Design:**

- Rotary Control, Pop-out controls
- Extra large capacity oven with grey enamel

#### **Cleaning:**

- Pyrolytic self-cleaning function
- Full glass inner door

#### **Comfort:**

- LED-display control (red)
- Electronic clock
- automatic start  
Heating-up control
- AutoPilot 10
- Bar handle
- Supporting systems: Programs
- Fast preheat
- Halogen interior lighting, Switch for oven illumination
- Integral cooling fan

#### **Accessory:**

- 1 x combination grid, 1 x universal pan

#### **Environment and Safety:**

- low door temperature
- Low door temperature during pyrolytic cleaning
- Quadruple glass door panel glazed CoolTouch door
- Automatic door lock during pyrolysis  
Child lock

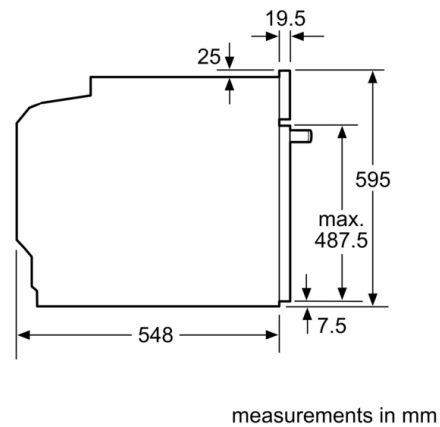
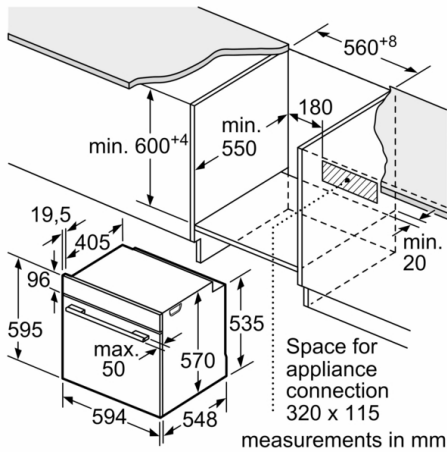
#### **Technical Information**

- Length of mains cable: 120 cm
- Nominal voltage: 220 - 240 V
- Total connected load electric: 3.6 KW
- Energy efficiency rating (acc. EU Nr. 65/2014): A(at a range of energy efficiency classes from A+++ to D)  
Energy consumption per cycle in conventional mode:0.99 kWh  
Energy consumption per cycle in fan-forced convection mode:0.81 kWh  
Number of cavities: 1 Heat source: electrical Cavity volume:71 l

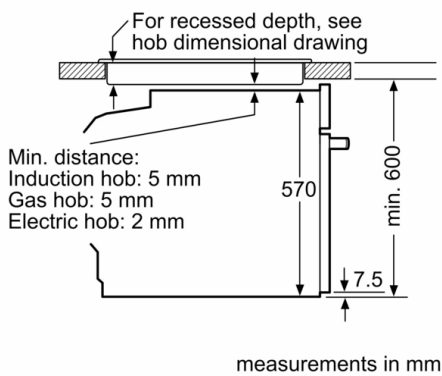
#### **Dimensions:**

- Appliance dimension (HxWxD): 595 mm x 594 mm x 548 mm
- Niche dimension (HxWxD): 585 mm - 595 mm x 560 mm - 568 mm x 550 mm
- "Please reference the built-in dimensions provided in the installation drawing"
- We recommend you to choose complementary products within Series 4, in order to assure an optimal design combination of your Built-In appliances.

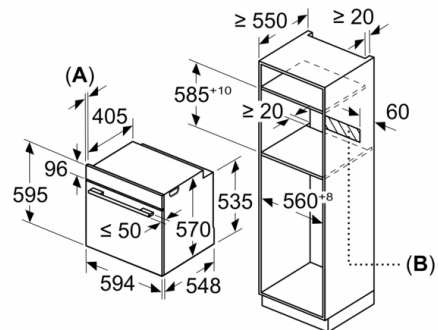
**Series 4, Built-in oven, 60 x 60 cm, Stainless steel**  
**HBA573BS1**



Installation with a hob.



Measurements in mm



**A:** 19.5 mm  
**B:** Space for appliance connection 320 x 115 mm