

Series 8, Built-in Compact Microwave Oven, 60 x 45 cm, Black CMG7241B1



1 x combination grid, 1 x universal pan

HEZ327000 Pizza stone, HEZ530000 Half tray, HEZ531010 Baking tray, non-stick ceramic coated, HEZ532010 Universal pan, non-stick ceramic coated, HEZ617000 Pizza pan, enamelled, HEZ629070 Air Fry & Grill tray, HEZ631070 Baking tray, enamelled, HEZ632070 Multipurpose pan, enamelled, HEZ634000 Baking and roasting grid (standard), HEZ636000 Glass pan, HEZ660050 Cover Strip, HEZ660060 Strip, HEZ664000 Baking and roasting grid (steam), HEZ915003 Glass roasting dish, 5,4 L, HEZG0AS00 Connecting cable 3m

The compact microwave oven with Digital Control Ring and TFT-touchdisplay: enables you to achieve perfect baking and roasting results very quickly. Home Connect for control via the App.

- **Digital Control Ring:** the simple and innovative way to select oven settings.
- **TFT Touch Display:** easy control thanks to an innovative Digital Control Ring and TFT touchscreen.
- **Air Fry Function:** for perfectly fried foods, such as vegetables and chips.
- **Hotair Gentle:** saves energy while baking and roasting.
- **Assist Function:** sets the optimal type of heat, temperature and time automatically for a wide range of dishes.

Type of micro-wave oven:MW-Combi
 Type of control:Electronic
 Dimensions: 455 x 594 x 548 mm
 Cavity dimensions: 237.0 x 480 x 392.0 mm
 Length electrical supply cord: 150.0 cm
 Net weight: 35.3 kg
 Gross weight: 37.6 kg
 EAN code: 4242005325924
 Max. microwave power level: 900 W
 Connection rating: 3600 W
 Fuse protection: 16 A
 Voltage: 220-240 V
 Frequency: 50 Hz
 Plug type: Gardy plug w/ earthing
 Included accessories: 1 x combination grid, 1 x universal pan



Series 8, Built-in Compact Microwave Oven, 60 x 45 cm, Black CMG7241B1

The compact microwave oven with Digital Control Ring and TFT-touchdisplay: enables you to achieve perfect baking and roasting results very quickly. Home Connect for control via the App.

- Total connected load electric: 3.6 KW

Dimensions:

- Appliance dimension (hxwx): 455 mm x 594 mm x 548 mm
- Niche dimension (hxwx): 560 mm - 568 mm x 450 mm - 455 mm x 550 mm
- "Please reference the built-in dimensions provided in the installation drawing"

Type of oven / heating system:

- Compact oven with microwave with 16 heating methods: Conventional top and bottom heat, Hot air grilling, Variable full width grill, Half width grill, Bottom heat, Plate warming, Hotair gentle, Conventional heat gentle, Circulating air, microwave, Circulating air, Conventional heat, Full width grill, Half width grill, Hot air grilling
- Max. Power: 900 W; 5 Microwave power settings (90 W, 180 W, 360 W, 600 W, boost) with Inverter (MW)
- Intelligent inverter technology: maximum output power will be regulated to 600 W when used in longer operation
- Temperature range 30 °C - 230 °C
- Cavity volume: 45 l

Hook-in racks / rails

- Number of shelf levels: 3 PC

Design:

- Touch control
- Digital Control Ring
- Cavity inner surface: enamel anthracite

Cleaning:

- hydrolyse program

Comfort:

- Oven Assistant with Voice Control
- Electronic clock
- Temperature proposal
- Actual temperature display Heating-up control
- Drop down door, soft closing, soft opening
- Supporting systems: Dish categories
- Rapid heating-up
- LED light, Switch for oven illumination
- Integral cooling fan
- WLAN

Accessory:

- 1 x combination grid, 1 x universal pan

Comfort and Safety:

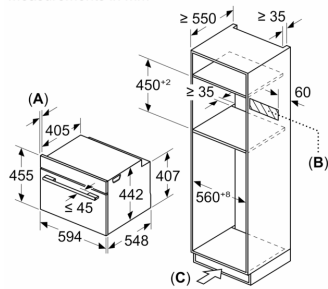
- Maximum window temperature 40° C
- Triple glazed door CoolTouch door
- Safety lock
- Automatic safety shut off residual heat indicator start button door contact switch

Technical Info:

- Length of mains cable: 150 cm
- Nominal voltage: 220 - 240 V

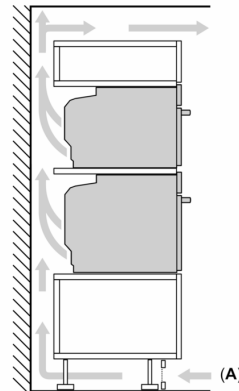
Series 8, Built-in Compact Microwave Oven, 60 x 45 cm, Black CMG7241B1

Measurements in mm

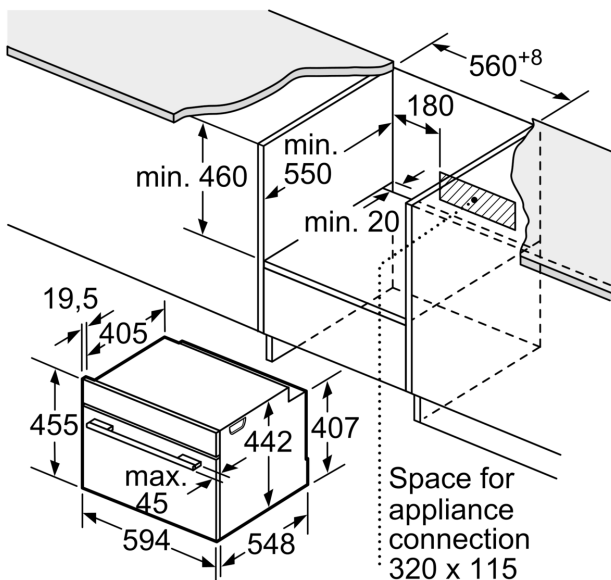


- A: 19.5 mm
- B: Space for appliance connection
320 x 115 mm
- C: Ventilation space in the base $\geq 200 \text{ cm}^2$

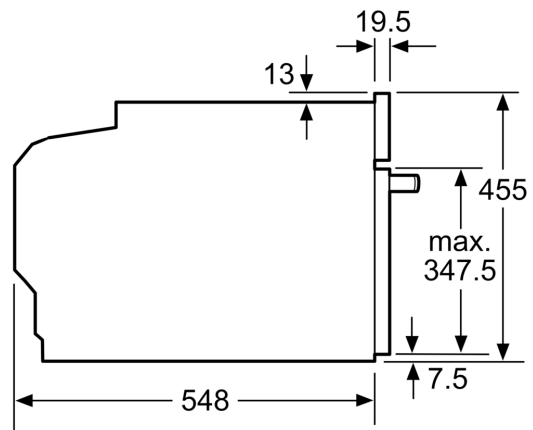
Installing two appliances on top of each other
Air exchange



A: Air inlet $\geq 200 \text{ cm}^2$



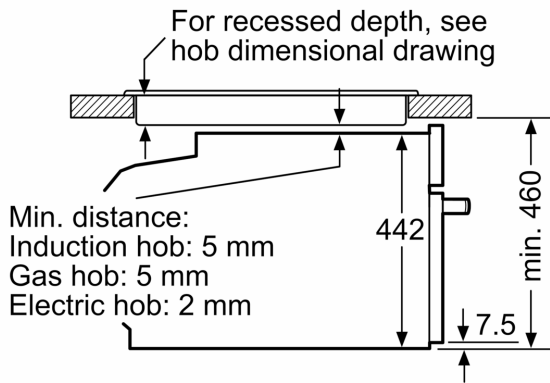
measurements in mm



measurements in mm

Installation with a hob.

If the compact appliance will be installed underneath a hob, the following worktop thicknesses (including substructure if necessary) must be taken into account.



measurements in mm

Hob type	min. worktop thickness	
	fitted	flush
Induction hob	42 mm	43 mm
Full surface Induction hob	52 mm	53 mm
Gas hob	32 mm	43 mm
Electric hob	32 mm	35 mm