

**Series 4, Induction hob, 60 cm,  
Black, surface mount without frame  
PUE611BB5D**



**The induction hob: cook fast, clean and safely while using very little energy.**

- **Touch Select:** selection of the desired cooking zone and easy setting of the desired power level.
- **Power Boost:** up to 35% faster heating compared to highest power level.
- **Restart:** restores hob settings in case of an unintentional hob switch-off.
- **Timer with switch-off function:** turns off the assigned cooking zone after the set time.
- **Child Lock:** locks the control panel to prevent unauthorized use.

- HEZ32WA00 Wireless food thermometer
- HEZ390090 Wok Set consisting of 3 Items
- HEZ9ES100 Espresso maker 4 cups
- HEZ9FE280 Iron pan Ø 18 / 28 cm
- HEZ9SE030 Set of 2 pots and 1 pan
- HEZ9SE040 4 pieces Set
- HEZ9SE060 6 pieces Set

Product name/family: ..... Cooking zone ceramic  
 Built-in / Free-standing: ..... Built-in  
 Energy input: ..... Electric  
 Total number of positions that can be used at the same time: ..... 4  
 Required niche size for installation (HxWxD): 51 x 560-560 x 490-500 mm  
 Width of the appliance: ..... 592 mm  
 Dimensions: ..... 51x592x522 mm  
 Dimensions of the packed product (HxWxD): ..... 130 x 753 x 610 mm  
 Net weight: ..... 10.9 kg  
 Gross weight: ..... 13.0 kg  
 Residual heat indicator: ..... yes  
 Location of control panel: ..... Front  
 Basic surface material: ..... Ceramic  
 Color of surface: ..... Black  
 Length electrical supply cord: ..... 110.0 cm  
 Sealed Burners: ..... No  
 Power Boost: ..... All cooking zones  
 Power of heating element (kW): ..... 1.8 kW  
 Power of 3rd heating element (kW): ..... 1.8 kW  
 Power of 5th heating element (kW): ..... 1.4 kW  
 Power of heating element (kW in boost): ..... [3.1] kW  
 Power of 3rd heating element (kW in boost): ..... [3.1] kW  
 Power of 5th heating element (kW in boost): ..... [2.2] kW  
 Connection rating: ..... 3700 W  
 Voltage: ..... 220-240 V  
 Frequency: ..... 50; 60 Hz  
 Energy input: ..... Electric  
 Plug type: ..... Gardy plug w/ earthing  
 Appliance Dimensions (h x w x d) (in): ..... x x  
 Dimensions of the packed product: ..... 5.11 x 24.01 x 29.64  
 Net weight: ..... 24.000 lbs  
 Gross weight: ..... 29.000 lbs  
 Total number of positions that can be used at the same time: ..... 4  
 Length electrical supply cord: ..... 110.0 cm  
 Required niche size for installation (HxWxD): 51 x 560-560 x 490-500 mm  
 Dimensions: ..... 51x592x522 mm  
 Dimensions of the packed product (HxWxD): ..... 130 x 753 x 610 mm  
 Net weight: ..... 10.9 kg  
 Gross weight: ..... 13.0 kg



## **Series 4, Induction hob, 60 cm, Black, surface mount without frame PUE611BB5D**

### **The induction hob: cook fast, clean and safely while using very little energy.**

- 60 cm: space for 4 pots

#### **Flexibility of cooking zones**

- Cooking zone front left: 180 mm, 1.8 KW (max. power 3.1 KW)
- Cooking zone rear left: 180 mm, 1.8 KW (max. power 3.1 KW)
- Cooking zone rear right: 145 mm , 1.4 KW (max power 2.2 KW)
- Cooking zone front right: 210 mm, 2.2 KW (max. power 3.7 KW)

#### **Usage convenience**

- Touch Select: control the power with imprinted +/- touch buttons.
- 17 power levels: precisely adapt the heat with 17 power levels (9 main levels and 8 intermediate levels).
- Switch-off timer (on appliance): switches off the cooking zone at the end of the time set (e.g. for boiled eggs).
- Count-down timer: an alarm sounds at the end of the time set (e.g. for pasta).

#### **Time saving & efficiency**

- Power Boost for all zones : boil water more quickly thanks to 50% more energy than at the highest standard level.
- QuickStart Function: when switching on, the hob automatically selects the cooking zone with cookware (placed in off-mode).
- Restart Function: in case of unintentional switch-off, restore all previous settings by switching on the hob again within 4 seconds.
- Quick Stop: quickly switch off a cooking zone with one longer touch.

#### **Design**

- Frameless: classy, slightly raised installation without metal trim

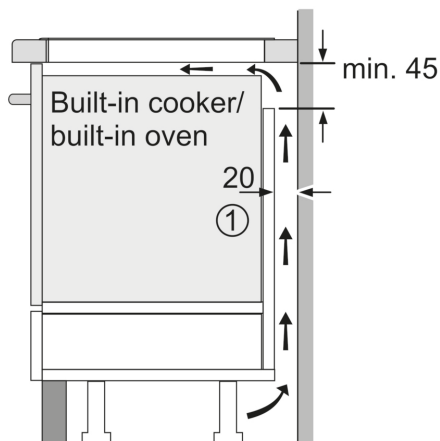
#### **Safety**

- Residual heat indicator (2 stage): indicates which cooking zones are still hot or warm.
- Childproof lock: prevent unintended activation of the hob.
- Main Switch: switch off all cooking zones at the touch of a button.
- Safety switch-off: for safety reasons, heating stops after a preset time without interaction.

#### **Installation**

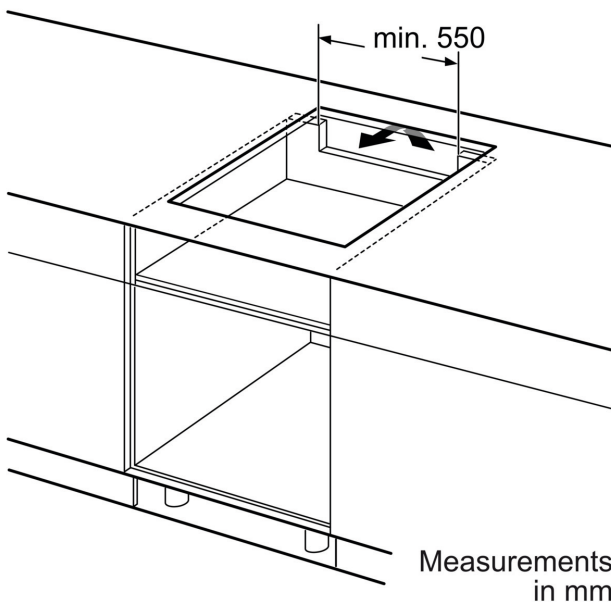
- Dimensions of the product (HxWxD mm): 51 x 592 x 522
- Required niche size for installation (HxWxD mm) : 51 x 560 x (490 - 500)
- Min. worktop thickness: 16 mm
- Connected load: 3700 W
- PowerManagement Function: limit the maximum power if needed (depends on fuse protection of electric installation).
- Power cord 1.1 m with Schuko plug: plug and play, no electrician required for installation.

**Series 4, Induction hob, 60 cm,  
Black, surface mount without frame  
PUE611BB5D**

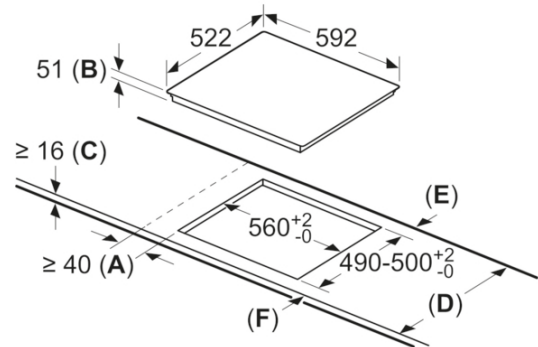


①  
Ventilation gap must  
be present

All measurements in mm



measurements in mm



- A:** Minimum distance from the hob cut-out to the wall.
- B:** Recessed depth
- C:** The clearance between the surface of the worktop and the top of the front of the oven must be 30 mm. See space requirements for the oven.

The worktop into which the hob is installed must withstand loads of approx. 60 kg; suitable substructures must be used if required.

D	E	F
585-600	50	≥ 35
> 600	≥ 50	≥ 50

