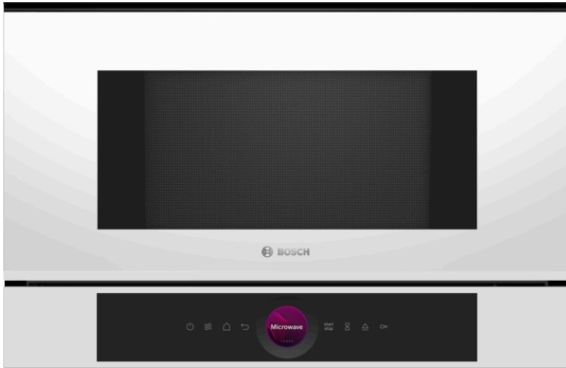


Series 8, Built-In Microwave, White BFL7221W1



The compact microwave 38cm. Inverter Technology: constant microwave power for heating food gradually. Microwave Boost Function: quick and easy warming.

- **Digital Control Ring:** the simple and innovative way to select oven settings.
- **TFT Touch Display:** easy control thanks to an innovative Digital Control Ring and TFT touchscreen.
- **AutoPilot 7:** every dish is a perfect success thanks to 7 pre-set automatic programmes.
- **Stainless steel interior:** easy to clean interior thanks to smooth surfaces and no sharp edges.
- **Cleaning Assistance:** less cleaning effort

Technical Data

Type of control : Electronic
Dimensions : 382 x 594 x 318 mm
Cavity dimensions : 230 x 350 x 270 mm
Length electrical supply cord : 175.0 cm
Net weight : 17.0 kg
Gross weight : 18.9 kg
EAN code : 4242005319978
Maximum micro-wave power : 900 W
Connection Rating : 1220 W
Fuse protection : 10 A
Voltage : 220-240 V
Frequency : 50; 60 Hz
Plug type : GARDY plug w/ earthing
Cavity dimensions : 230 x 350 x 270 mm



4 242005 319978

Series 8, Built-In Microwave, White BFL7221W1

The compact microwave 38cm. Inverter Technology: constant microwave power for heating food gradually. Microwave Boost Function: quick and easy warming.

Dimensions:

- Appliance dimension (HxWxD): 382 mm x 594 mm x 318 mm
- Niche dimension (HxWxD): 362 mm - 382 mm x 560 mm - 568 mm x 300 mm
- "Please reference the built-in dimensions provided in the installation drawing"

Microwave and heating mode:

- Max. Power: 900 W; 5 Microwave power settings: 90 W, 180 W, 360 W, 600 W, boost
- Intelligent inverter technology: maximum output power will be regulated to 600 W when used in longer operation

Design:

- stainless steel cavity with glass bottom
- Touch control
- Touch key operation

Cleaning:

- Cleaning Assistance (program)

Comfort:

- electronic clock
- TFT-touchdisplay, Electronic Control
- User-friendly electronics: extremely easy and comfortable operation
- AutoPilot 7
- 3 defrost and 4 cooking programmes in microwave function
- Quick Start: one tap to maximum microwave power for 30 seconds
- LED light
- Cavity volume: 21 l
- side opening door, hinge left

Environment and Safety:

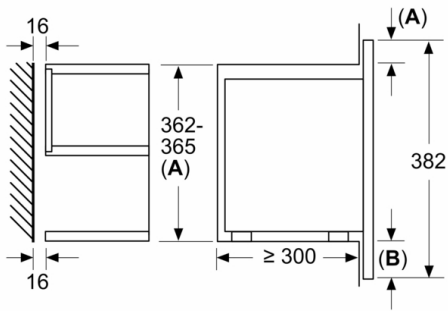
- Start-/Stop button
Door contact switch
- Integral cooling fan

Technical Information

- Length of mains cable: 175 cm
- Total connected load electric: 1.22 KW
- Nominal voltage: 220 - 240 V
- suitable for high cupboard installation, can be built in a 60 cm wall cupboard (at least 30 cm deep)

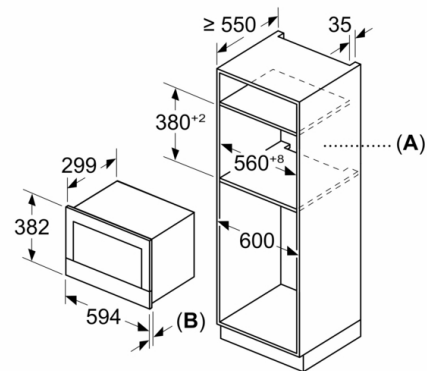
Series 8, Built-In Microwave, White BFL7221W1

measurements in mm



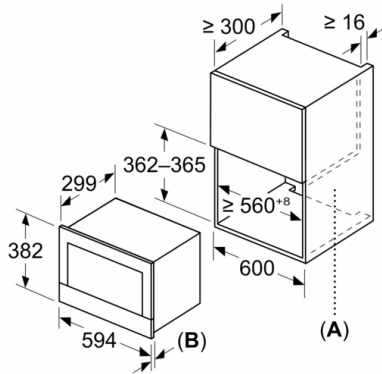
- A:** Overhang at top:
 Recess 362: 6 mm
 Recess 365: 3 mm
B: Overhang at bottom: 14 mm

Measurements in mm



- A:** Back wall open
B: 19.5 mm

Measurements in mm



- A:** Back wall open
B: 19.5 mm