

**Series 8, Built-in accessory drawer,  
60 x 14 cm, Black  
BIE7101B1**



1 x Anti-slip mat

HEZG9AS00S Adapter

- **Push-pull mechanism:** easy opening and closing thanks to a practical spring mechanism.

---

Built-in / Free-standing: .....	Built-in
Maximum number of plates: .....	14
Maximum number of espresso cups: .....	64
Dimensions: .....	140 x 594 x 518 mm
Dimensions of the packed product (HxWxD): .....	260 x 650 x 700 mm
Min. required niche size for installation (HxWxD): ....	140 x 560 x 550 mm
Time control: .....	No
Required cutout/niche size for installation (in): .....	x
Dimensions of the packed product: .....	10.23 x 25.59 x 27.55
Net weight: .....	37.000 lbs
Gross weight: .....	42.000 lbs
Min. required niche size for installation (HxWxD): ....	140 x 560 x 550 mm
Dimensions: .....	140 x 594 x 518 mm
Dimensions of the packed product (HxWxD): .....	260 x 650 x 700 mm
Net weight: .....	16.9 kg
Gross weight: .....	18.9 kg
Included accessories: .....	1 x Anti-slip mat

---



## **Series 8, Built-in accessory drawer, 60 x 14 cm, Black BIE7101B1**

---

**Design:**

- stainless steel cavity

**Comfort:**

- Volume: 21 l
- Loading up to 15 kg
- Max. loading espresso cups: 64 PC or Max. loading plates: 14 PC
- Opening without handle (push&pull)

**Accessory:**

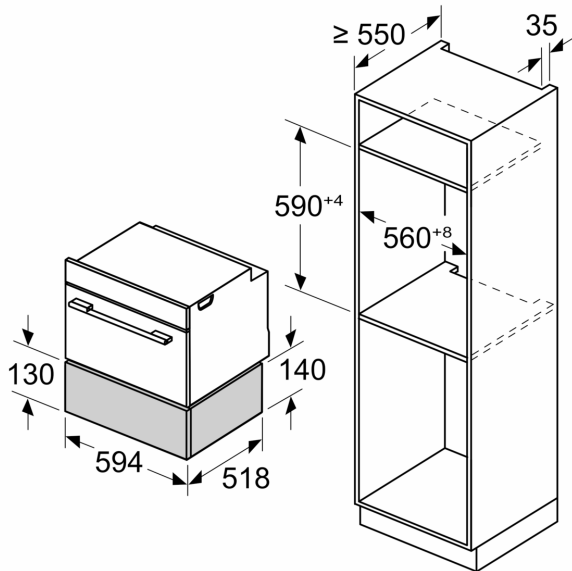
- Anti-slip mat

**Technical Information****Dimensions:**

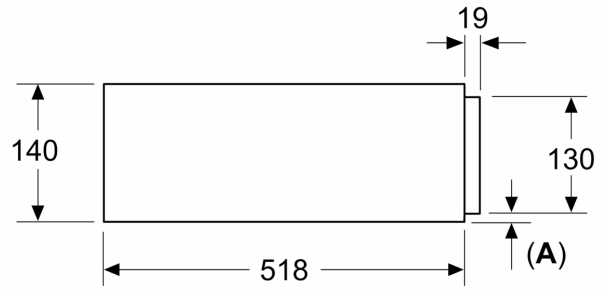
- Appliance dimension (hxwxd): 140 mm x 594 mm x 518 mm
- Niche dimension (hxwxd): 140 mm x 560 mm - 568 mm x 550 mm
- "Please reference the built-in dimensions provided in the installation drawing"

**Series 8, Built-in accessory drawer,  
60 x 14 cm, Black  
BIE7101B1**

Measurements in mm



Measurements in mm



**A: 7.5 mm**

Compact ovens with appliance height of 455 mm can be installed above the warming drawer without an intermediate floor