

**Series 8, Built-in compact oven with
microwave function, 60 x 45 cm,
White
CMG7241W1**



Included accessories

- 1 x combination grid
- 1 x universal pan

Optional accessories

- HEZ327000 Pizza stone, HEZ530000 Half tray,
- HEZ531010 Baking tray, non-stick ceramic coated,
- HEZ532010 Universal pan, non-stick ceramic coated,
- HEZ617000 Pizza pan, enamelled, HEZ629070 Air Fry
& Grill tray,
- HEZ631070 Baking tray, enamelled, HEZ632070 Multipurpose
pan, enamelled, HEZ634000 Baking and roasting grid
(standard), HEZ636000 Glass pan, HEZ660050 Cover Strip,
- HEZ660060 Strip, HEZ664000 Baking and roasting grid (steam),
- HEZ915003 Glass roasting dish, 5,4 L, HEZG0AS00 Connecting
cable 3m

**The compact microwave oven with Digital
Control Ring and TFT-touchdisplay:
enables you to achieve perfect baking
and roasting results very quickly. Home
Connect for control via the App.**

- **Digital Control Ring:** the simple and innovative way to select oven settings.
- **TFT Touch Display:** easy control thanks to an innovative Digital Control Ring and TFT touchscreen.
- **Automatic Switch-off:** cooking process automatically stops as soon as the dish is done.
- **Oven Assistant with Voice Control:** easily set the right programme.
- **Recipe World:** delicious inspirations that match your taste.

Technical Data

- Type of micro-wave oven : MW-Combi
- Type of control : Electronic
- Dimensions : 455 x 594 x 548 mm
- Cavity dimensions : 237.0 x 480 x 392.0 mm
- Length electrical supply cord : 150.0 cm
- Net weight : 35.3 kg
- Gross weight : 37.6 kg
- Maximum micro-wave power : 900 W
- Number of Power Levels : 5
- Turntable : No
- Cavity material : Enamelled steel
- Door opening : Handle
- Clock : Yes
- Included accessories : 1 x combination grid, 1 x universal pan
- Height of the appliance : 455 mm
- Width of the appliance : 594 mm
- Depth of the product : 548 mm
- Maximum micro-wave power : 900 W
- Connection Rating : 3600 W
- Fuse protection : 16 A
- Voltage : 220-240 V
- Frequency : 50 Hz
- Plug type : GARDY plug w/ earthing
- Required cutout/niche size for installation (in) : x
- Dimensions of the packed product : 21.25 x 25.59 x 26.77
- Net weight : 78.000 lbs
- Gross weight : 83.000 lbs
- Included accessories : 1 x combination grid, 1 x universal pan



Series 8, Built-in compact oven with microwave function, 60 x 45 cm, White CMG7241W1

The compact microwave oven with Digital Control Ring and TFT-touchdisplay: enables you to achieve perfect baking and roasting results very quickly. Home Connect for control via the App.

Environment and Safety:

- low door temperature
- Triple glazed door glazed CoolTouch door
- Child lock
- Residual heat indicator Start-/Stop button Door contact switch

Technical Information

- Length of mains cable: 150 cm
- Nominal voltage: 220 - 240 V
- Total connected load electric: 3.6 KW

Type of oven / heating system:

- Compact oven with microwave with 16 heating methods: Conventional heat, Hot air grilling, Full width grill, Half width grill, Bottom heat, Preheating, Hotair gentle, Conventional heat gentle, 2D Hotair, Air fry, microwave, Circulating air, Top/bottom heat + microwave, grill + microwave, half width grill + microwave, hotair grilling + microwave
- Max. Power: 900 W; 5 Microwave power settings (90 W, 180 W, 360 W, 600 W, boost) with Inverter (MW)
- Intelligent inverter technology: maximum output power will be regulated to 600 W when used in longer operation
- Temperature range 30 °C - 230 °C
- Cavity volume: 45 l

Hook-in racks / rails

- Number of shelf levels: 3 PC

Design:

- Touch control
- Digital Control Ring
- Cavity inner surface: enamel

Cleaning:

- Cleaning Assistance (program)

Comfort:

- Oven Assistant with Voice Control
- TFT-touchdisplay
- Electronic clock
- Temperature proposal
- Actual temperature display Heating-up control
- Drop down door
- Oven door with SoftOpen and SoftClose
- Supporting systems: Dish Assist
- Air Fry Function
- LED light, Switch for oven illumination
- Integral cooling fan
- Home Connect ready on Wi-Fi

Accessory:

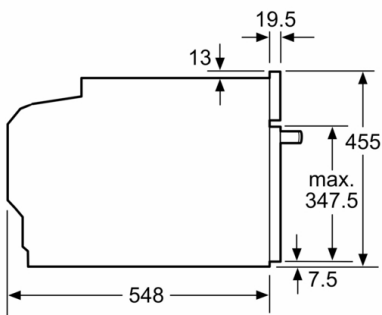
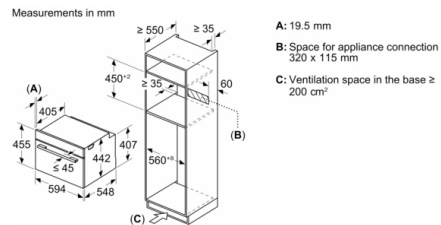
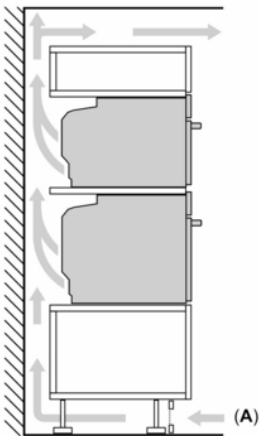
- 1 x combination grid, 1 x universal pan

Dimensions:

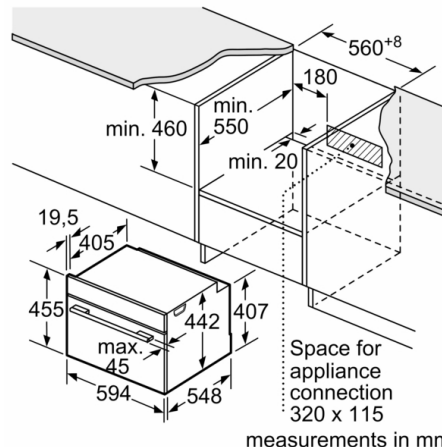
- Appliance dimension (HxWxD): 455 mm x 594 mm x 548 mm
- Niche dimension (HxWxD): 450 mm - 455 mm x 560 mm - 568 mm x 550 mm
- "Please reference the built-in dimensions provided in the installation drawing"

Series 8, Built-in compact oven with microwave function, 60 x 45 cm, White CMG7241W1

Installing two appliances on top of each other
Air exchange

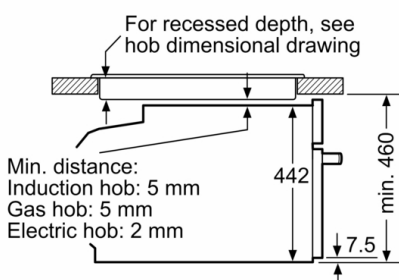


measurements in mm



measurements in mm

Installation with a hob.



measurements in mm

If the compact appliance will be installed underneath a hob, the following worktop thicknesses (including substructure if necessary) must be taken into account.

Hob type	min. worktop thickness	
	fitted	flush
Induction hob	42 mm	43 mm
Full surface Induction hob	52 mm	53 mm
Gas hob	32 mm	43 mm
Electric hob	32 mm	35 mm