

**Series 4, Built-in oven, 60 x 60 cm,
Black
HBA2340B0**



Included accessories

1 x combination grid
1 x universal pan

Optional accessories

HEZ317000 Pizza pan, enamelled, HEZ327000 Pizza stone, HEZ531000 Baking tray, enamelled, HEZ531010 Baking tray, non-stick ceramic coated, HEZ532000 Multipurpose pan, enamelled, HEZ532010 Universal pan, non-stick ceramic coated, HEZ538000 1fold telescopic rail, level independent, HEZ629070 Air Fry &&&&&&& Grill tray, HEZ634000 Baking and roasting grid (standard), HEZ660050 Cover Strip, HEZ664000 Baking and roasting grid (steam), HEZ915003 Glass roasting dish, 5,4 L, HEZG0AS00 Connecting cable 3m

The built-in oven with 3D hotair: achieve perfect baking and roasting results on up to three levels simultaneously.

- **3D Hotair:** even heat distribution for perfect results on up to three levels.
- **LED-display control, red:** easy-to-use thanks to the time functions.
- **Pop-out controls:** Make the front of the oven easy to clean and give it a sleek look.
- **Eco Clean Direct:** less cleaning effort thanks to a special coating of the rear wall that automatically absorbs grime.
- **Cleaning Assistance:** less cleaning effort thanks to the new cleaning option, which can be especially used for cleaning of light soiling.

Technical Data

Gross weight : 34.2 kg
 Built-in / Free-standing : Built-in
 Integrated Cleaning system : Catalytic partial, Hydrolytic
 Min. required niche size for installation (HxWxD) : 585-595 x 560-568 x 550 mm
 Dimensions : 595 x 594 x 548 mm
 Dimensions of the packed product (HxWxD) : 670 x 655 x 675 mm
 Control Panel Material : Glass
 Door Material : Glass
 Net weight : 32.1 kg
 Usable volume of cavity : 71 l
 Heating modes: : Bottom heat, Conventional heat, Full width grill, Hot Air, Hotair gentle, Hot air grilling, Pizza setting
 First cavity material : Other
 Number of interior lights : 1
 Length electrical supply cord : 120.0 cm
 Interior Lights - cavity 1 : 1
 Pull-out system : Clip rails
 Included accessories : 1 x combination grid, 1 x universal pan
 Broil Element Wattages cavity 1 : 2700 W
 Convection Element Wattages cavity 1 : 2200 W
 Energy efficiency class (2010/30/EC) : A
 Energy consumption per cycle conventional (2010/30/EC) : 0.97 kWh/cycle
 Energy consumption per cycle forced air convection (2010/30/EC) : 0.81 kWh/cycle
 Energy efficiency index (2010/30/EC) : 95.3 %
 Connection Rating : 3400 W
 Fuse protection : 16 A
 Voltage : 220-240 V
 Frequency : 50; 60 Hz
 Plug type : GARDY plug w/ earthing
 Energy input : Electric
 Required cutout/niche size for installation (in) : x
 Dimensions of the packed product : 26.37 x 25.78 x 26.57
 Net weight : 71.000 lbs
 Gross weight : 76.000 lbs
 Length electrical supply cord : 120.0 cm
 Net weight : 32.1 kg
 Included accessories : 1 x combination grid, 1 x universal pan



Series 4, Built-in oven, 60 x 60 cm, Black HBA2340B0

The built-in oven with 3D hotair: achieve perfect baking and roasting results on up to three levels simultaneously.

Type of oven / heating system:

- Oven with 7 heating methods: 3D Hotair, Conventional heat, Hot air grilling, Full width grill, Pizza setting, Bottom heat, Hotair gentle
- Temperature range 50 °C - 275 °C
- Cavity volume: 71 l

Hook-in racks / rails

- Number of shelf levels: 5 PC
- 1-fold telescopic rail, level independent, with Stop function

Design:

- Rotary Control, Pop-out controls
- Extra large capacity oven

Cleaning:

- EcoClean Direct: coating of back panel
- Cleaning Assistance (manually)
- Full glass inner door

Comfort:

- LED-display control (red)
- Electronic clock
- automatic start
Heating-up control
- Bar handle
- Fast preheat
- Halogen interior lighting
- Integral cooling fan

Accessory:

- 1 x combination grid, 1 x universal pan

Environment and Safety:

- Child lock

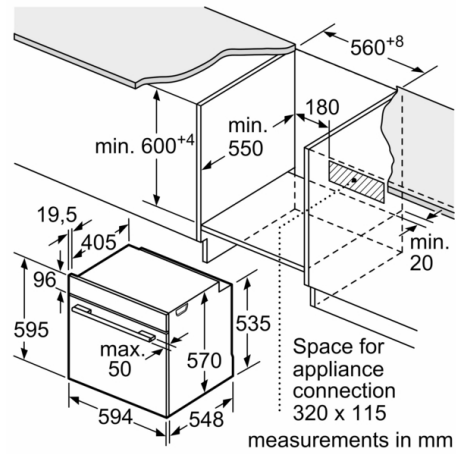
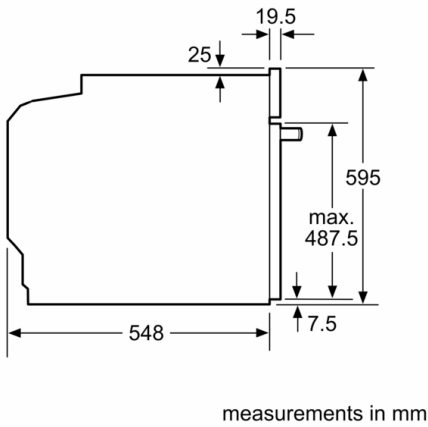
Technical Information

- Length of mains cable: 120 cm
- Nominal voltage: 220 - 240 V
- Total connected load electric: 3.4 KW
- Energy efficiency rating (acc. EU Nr. 65/2014): A(at a range of energy efficiency classes from A+++ to D)
Energy consumption per cycle in conventional mode:0.97 kWh
Energy consumption per cycle in fan-forced convection mode:0.81 kWh
Number of cavities: 1 Heat source: electrical Cavity volume:71 l

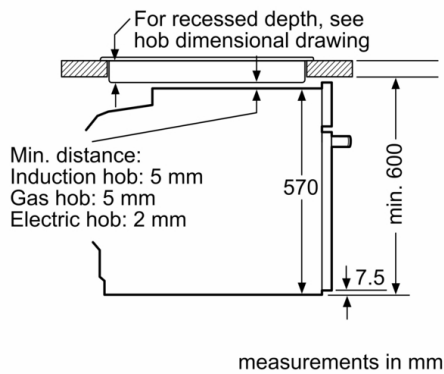
Dimensions:

- Appliance dimension (HxWxD): 595 mm x 594 mm x 548 mm
- Niche dimension (HxWxD): 585 mm - 595 mm x 560 mm - 568 mm x 550 mm
- "Please reference the built-in dimensions provided in the installation drawing"

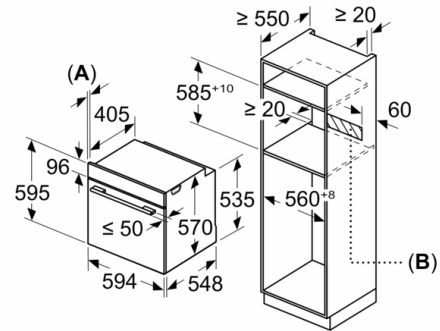
**Series 4, Built-in oven, 60 x 60 cm, Black
HBA2340B0**



Installation with a hob.



Measurements in mm



A: 19.5 mm
B: Space for appliance connection 320 x 115 mm