



## Series 4, Built-in oven, 60 x 60 cm, Stainless steel HBA573BR0

### The built-in oven with AutoPilot: automatically prepares perfect dishes.

---

#### Type of oven / heating system:

- Oven with 5 heating methods: 3D Hotair, Conventional heat, Hot air grilling, Full width grill, Hotair gentle
- Temperature range 50 °C - 275 °C
- Cavity volume: 71 l

#### Hook-in racks / rails

- Number of shelf levels: 5 PC
- Telescopic shelf rails as optional accessory

#### Design:

- Rotary Control
- Extra large capacity oven

#### Cleaning:

- Pyrolytic self-cleaning function
- Full glass inner door

#### Comfort:

- LED-display control (red)
- Electronic clock
- automatic start  
Heating-up control
- AutoPilot 10
- Bar handle
- Supporting systems: Programs
- Fast preheat
- Halogen interior lighting, Switch for oven illumination
- Integral cooling fan

#### Accessory:

- 1 x combination grid, 1 x universal pan

#### Environment and Safety:

- low door temperature
- Low door temperature during pyrolytic cleaning
- Quadruple glass door panel glazed CoolTouch door
- Automatic door lock during pyrolysis  
Child lock

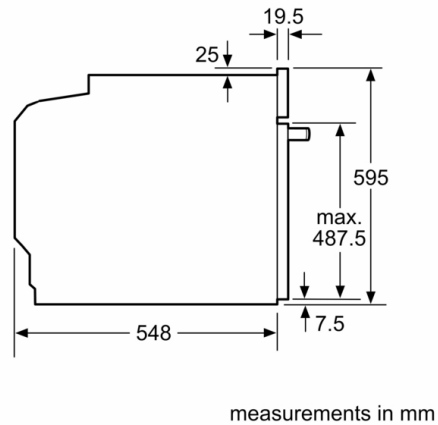
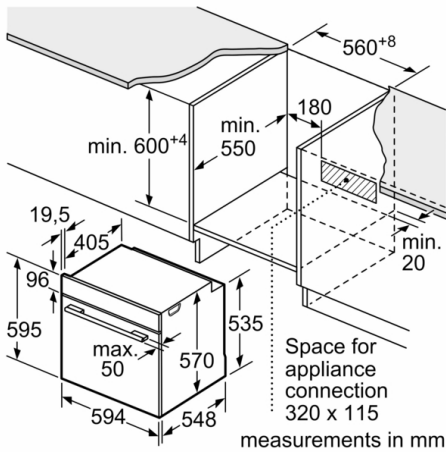
#### Technical Information

- Length of mains cable: 120 cm
- Nominal voltage: 220 - 240 V
- Total connected load electric: 3.6 KW
- Energy efficiency rating (acc. EU Nr. 65/2014): A (at a range of energy efficiency classes from A+++ to D)  
Energy consumption per cycle in conventional mode: 0.99 kWh  
Energy consumption per cycle in fan-forced convection mode: 0.81 kWh  
Number of cavities: 1 Heat source: electrical Cavity volume: 71 l

#### Dimensions:

- Appliance dimension (HxWxD): 595 mm x 594 mm x 548 mm
- Niche dimension (HxWxD): 585 mm - 595 mm x 560 mm - 568 mm x 550 mm
- "Please reference the built-in dimensions provided in the installation drawing"
- We recommend you to choose complementary products within Series 4, in order to assure an optimal design combination of your Built-In appliances.

**Series 4, Built-in oven, 60 x 60 cm, Stainless steel**  
**HBA573BR0**



Installation with a hob.

