

**Series 4, Built-under fridge with freezer section, 82 x 60 cm, flat hinge
KUL22VFD0G**



Included accessories

1 x egg tray, 1 x ice cube tray

Optional accessories

KFZ10AX0 Door panel with decor frame
KSZGGM00 Butter box

Built-under fridge with 4-star freezer section and Door Alarm for worry-free cooling and freezing where space is limited.

- **Super Cooling function:** cools new food placed inside faster, thus protecting already cooled food.
- **SuperCooling quickly chills food and beverages with a touch of a button**
- **Connectivity:** Remotely monitor and control your fridge from your smartphone or tablet.
- **LED lights bring a completely new lighting concept to fridges**
- **An audible alarm system signals the door is open**

Technical Data

Energy Efficiency Class:D
 Average annual energy consumption in kilowatt hour per year (kWh/a): 119 kWh/annum
 Sum of volume of frozen compartments: 17 l
 Sum of volume of chill compartments: 93 l
 Airborne acoustical noise emissions :35 dB(A) re 1 pW
 Airborne acoustical noise emission class:B
 Installation type:Built-in
 Door panel options: Not possible
 Height: 820 mm
 Width of the appliance:598 mm
 Depth of the product: 548 mm
 Min. required niche size for installation (HxWxD):820 x 600 x 550 mm
 Net weight:30.4 kg
 Fuse protection:10 A
 Door hinge: Right reversible
 Voltage: 220-240 V
 Frequency: 50 Hz
 Length of electrical supply cord: 230.0 cm
 Number of compressors:1
 Number of independent cooling systems: 1
 Interior ventilator: No
 Reversible Door Hinge: Yes
 Number of Adjustable Shelves in fridge compartment (Stck): 2
 Shelves for Bottles: No
 EAN code:4242005389636
 Brand: Bosch
 Product name / Commercial code:KUL22VFD0G
 Product category:Refrigerator
 Frost free system:No
 Installation type: Built-under
 Included accessories: 1 x egg tray, 1 x ice cube tray



Series 4, Built-under fridge with freezer section, 82 x 60 cm, flat hinge KUL22VFD0G

consumption depends on usage/position of the appliance.

Additional features

Built-under fridge with 4-star freezer section and Door Alarm for worry-free cooling and freezing where space is limited.

Performance and Consumption

- EU19_EEK_D: D
- Total Volume : 110 l
- Annual Energy Consumption: 119 kWh/a
- Climate Class: SN-T
- Noise Level : 35 dB , EU19_Noise emission class_D: B

Functions

- Bright interior LED fridge light

Design features

- LED electronic control
- Optical and accoustical
- Fresh mode
- Home Connect: iService Remote, Remote Monitoring and Control with Wi-Fi connectivity
- Super Cooling: automatic deactivation
- Automatic defrost fridge
- Easy clean interior

Design features

- Net Fridge Volume : 93 l
- 2 door bins
- Bottle holder in x-deep door tray

Freshness System

Food freshness system

- Net Freezer Volume : 17 l
- Temperature rise time : EU19_Temperature rise time_D: 9 H
- EU19_Fast freezer facility_D
- Freezing capacity 24h : 3 kg
- Ice box

Key features - Fridge section

- Right hinged door, door reversible
- can be built under
- Ventilation through plinth
- Length of power cord:230 cm
- 220 - 240 V

Dimension and installation

- Niche Dimensions: 82 cm H x 60 cm W x 55 cm D
- Dimensions: 82 cm H x 59.8 cm W x 54.8 cm D

Key features - Freezer section

- KUL22VFD0G

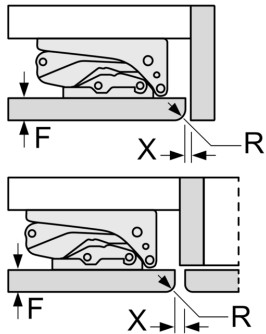
Country Specific Options

- Based on the results of the standard 24-hour test. Actual

**Series 4, Built-under fridge with
freezer section, 82 x 60 cm, flat
hinge
KUL22VFD0G**

measurements in mm

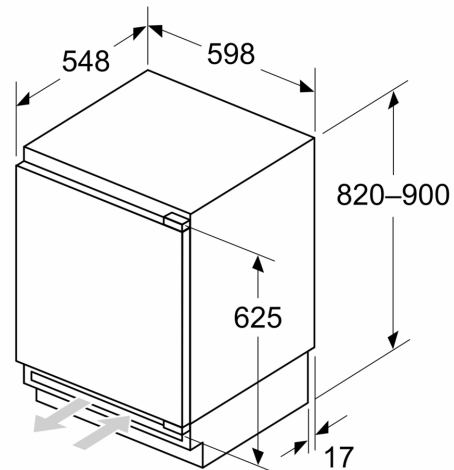
Recommended gap dimensions for flat hinges



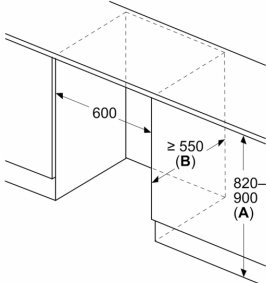
F	R	X
16-19	0-3	2.5
20	0-1	3
	2-3	2.5
21	0-1	3
	2-3	2.5
22	0	4
	1	3.5
	2-3	3

The gap dimensions recommended in the table must be adhered to in order to ensure that appliance doors do not collide with anything when they are opened, and to avoid causing damage to kitchen units.

Measurements in mm



Measurements in mm

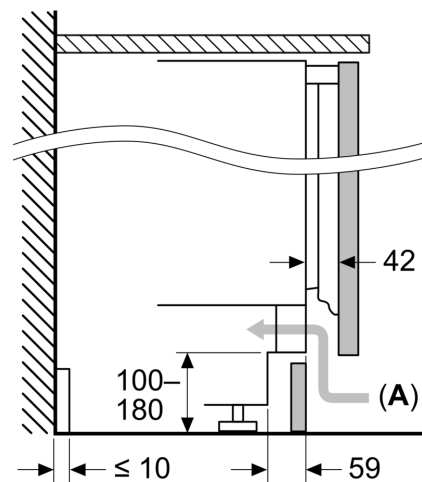


A: Substructure height

B: ≥ 560 mm (recommended)

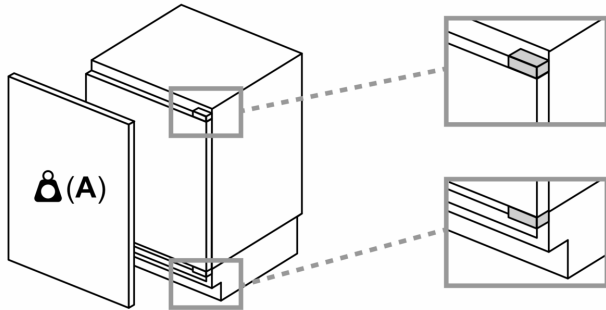
Space for electrical connection next to the appliance on the left or right side

Measurements in mm



A: Air inlet ≥ 200 cm²

Maximal permissible weight of the unit fronts



Fitted unit fronts that exceed the permissible weight may cause damage and result in functional impairment of the hinges

A: Weight \leq 12 kg