

Series 6, Induction hob, 80 cm, , PIV83KHC1E



HEZ390090	Wok Set consisting of 3 Items
HEZ390210	System pan diameter 15 cm
HEZ390220	System pan diameter 19 cm
HEZ390230	System pan diameter 21cm
HEZ9ES100	Espresso maker 4 cups
HEZ9FE280	Iron pan Ø 18 / 28 cm
HEZ9SE030	Set of 2 pots and 1 pan
HEZ9SE040	4 pieces Set
HEZ9SE060	6 pieces Set

- **Front-Bevel:** Elegant, appealing design with bevelled front.
- **Cooktop-based hood control:** convenient operation of the hood via your hob (with matching hood)
- **PowerBoost:** Up to 50% more power for faster heating.
- **If you turn off the cooktop it saves the last selected setting for a short time. If the cooktop is switched off within a short time again the former settings are still available.**
- **Timer with switch-off function:** Turns off the assigned cooking zone after the set time.

Product name/family: Cooking zone ceramic
 Built-in / Free-standing: Built-in
 Energy input: Electric
 Total number of positions that can be used at the same time: 5
 Min. required niche size for installation (HxWxD):51 x 750-750 x 490-500 mm
 Width of the appliance: 802 mm
 Dimensions: 51 x 802 x 522 mm
 Dimensions of the packed product (HxWxD): 130 x 950 x 600 mm
 Net weight: 12.6 kg
 Gross weight: 16.3 kg
 Residual heat indicator:yes
 Location of control panel: Front
 Basic surface material:Ceramic
 Color of surface:Black
 Length electrical supply cord: 100.0 cm
 Sealed Burners:No
 Power Boost: All cooking zones
 Power of heating element (kW):2 kW
 Power of 3rd heating element (kW): 1.6 kW
 Power of 5th heating element (kW): 1.6 kW
 Power of heating element (kW in boost): [3.1] kW
 Power of 3rd heating element (kW in boost): [2.2] kW
 Power of 5th heating element (kW in boost): [2.2] kW
 Connection rating: 7400 W
 Voltage: 220-240 V
 Frequency: 50; 60 Hz
 Energy input:Electric
 Plug type:No plug (electrical connection by electrician)
 Appliance Dimensions (h x w x d) (in): x x
 Dimensions of the packed product: 5.11 x 23.62 x 37.40
 Net weight:28.000 lbs
 Gross weight: 36.000 lbs
 Total number of positions that can be used at the same time: 5
 Length electrical supply cord: 100.0 cm
 Min. required niche size for installation (HxWxD):51 x 750-750 x 490-500 mm
 Dimensions: 51 x 802 x 522 mm
 Dimensions of the packed product (HxWxD): 130 x 950 x 600 mm
 Net weight: 12.6 kg
 Gross weight: 16.3 kg



Series 6, Induction hob, 80 cm, , PIV83KHC1E

- 80 cm: space for 5 pots or pans.

Flexibility of cooking zones

- Cooking zone front left: 180 mm, 2 KW (max. power 3.1 KW)
- Cooking zone rear left: 145 mm, 1.6 KW (max. power 2.2 KW)
- Cooking zone middle: 240 mm, 2.5 KW (max. power 3.7 KW)
- Cooking zone rear right: 145 mm , 1.6 KW (max power 2.2 KW)
- Cooking zone front right: 210 mm, 2.5 KW (max. power 3.7 KW)

Usage convenience

- 17 power levels: precisely adapt the heat with 17 power levels (9 main levels and 8 intermediate levels).

Time saving & efficiency

- PowerBoost function for all zones
- : boil water more quickly thanks to 50% more energy than at the highest standard level.
- QuickStart Function: when switching on, the hob automatically selects the cooking zone with cookware (placed in off-mode).
- ReStart Function: in case of unintentional switch-off, restore all previous settings by switching on the hob again within 4 seconds.

Cooking assistance

- 11 frying levels: prevents scorching with the automatic temperature regulation of the integrated sensor.
- Dish assistant: easily find the right temperature setting for a certain dish via the home connect app.

Connectivity

- Home Connect (only in countries where Home Connect service is available: check if the hob is switched off even when not at home, and find recipes or additional functions in the Home Connect app.
- Hob-based hood control (with matching hood): automatically activates the hood when cooking, thanks to the WiFi connection of hob and suitable hood.

Design

- Front facette design

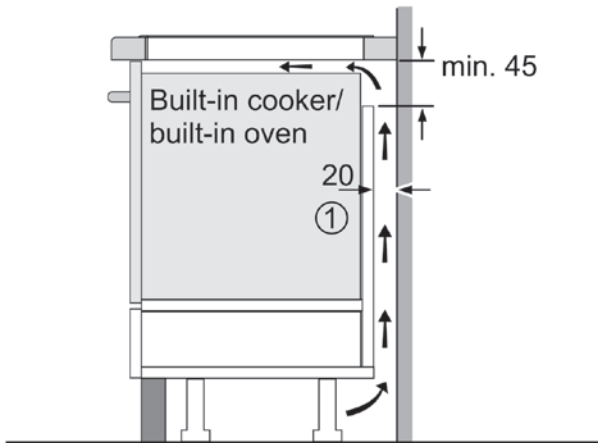
Safety

- 2 stage residual heat indicator: indicates which cooking zones are still hot or warm.
- Childproof lock: prevent unintended activation of the hob.
- Main switch: switch off all cooking zones at the touch of a button.
- Safety switch-off: for safety reasons, heating stops after a preset time without interaction (customizable).

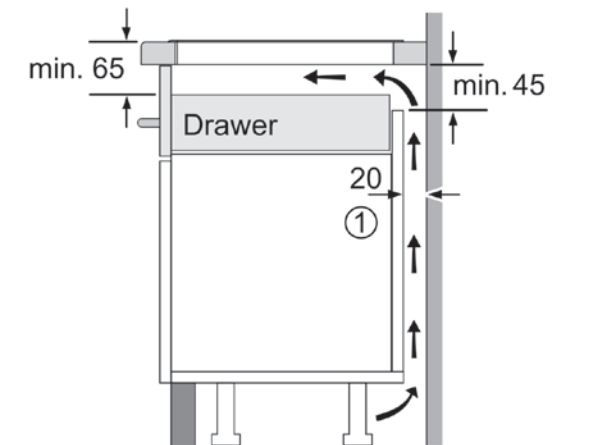
Installation

- Dimensions of the product (HxWxD mm): 51 x 802 x 522
- Required niche size for installation (HxWxD mm) : 51 x 750 x (490 - 500)
- Min. worktop thickness: 16 mm
- Connected load: 7400 W
- PowerManagement Function: limit the maximum power if needed (depends on fuse protection of electric installation).

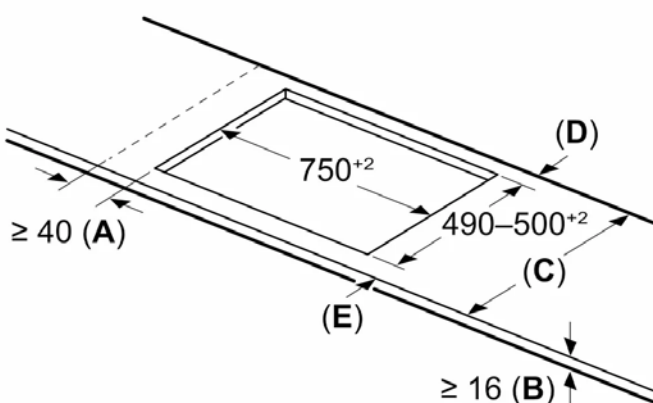
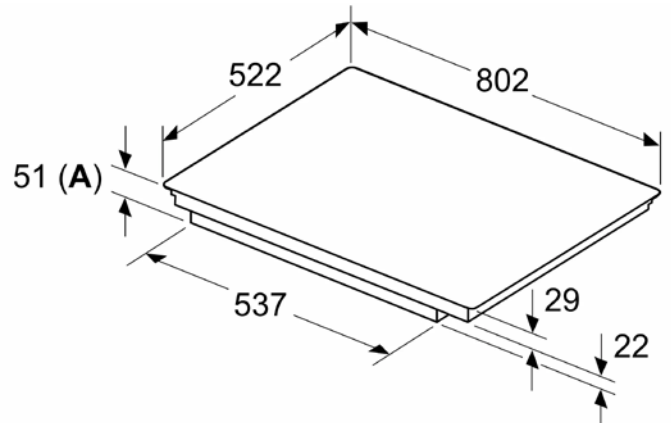
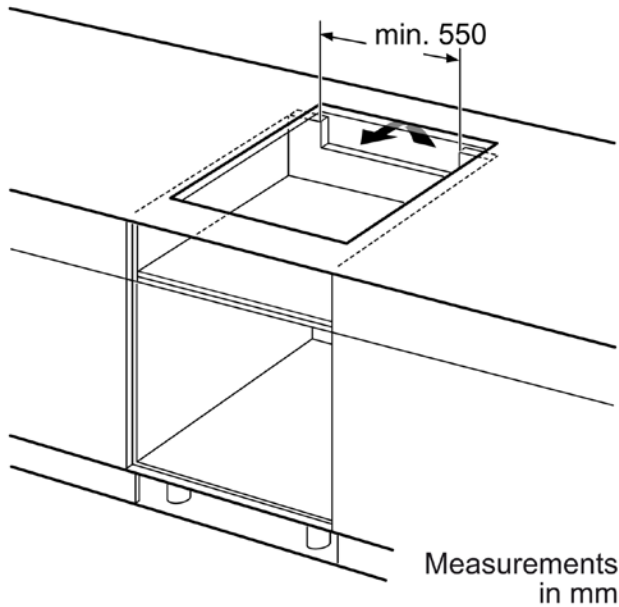
**Series 6, Induction hob, 80 cm, ,
PIV83KHC1E**



①
Ventilation gap must
be present



①
Ventilation gap must
be present.



A: Distanza min. dall'apertura del piano cottura alla parete

B: La distanza tra la superficie del piano di lavoro e la parte superiore del facciata del forno deve essere 30 mm

Vedere i requisiti di spazio per il forno

Il piano di lavoro in cui è installato il piano cottura deve sopportare carichi di ca. 60 kg; utilizzare sottostrutture adeguate, se necessario

C	D	E
585–600	50	≥ 35
> 600	≥ 50	≥ 50