

**Series 6, Induction hob, 80 cm,
Black, surface mount without frame
PIV83KHC1E**



**The DirectSelect hob with PerfectFry Plus:
Direct and simple control with
temperature sensor to prevent scorching.**

- **DirectSelect:** easy selection of cooking zone, power level and additional functions.
- **PerfectFry Plus:** no more worrying about scorching.
- **Smart Hood Automatic:** a matching hood automatically adjusts on your hob settings while cooking.
- **Favourite button:** personalize your hob with Home Connect.
- **Remote Diagnostics:** online analysis and troubleshooting without a service visit.

HEZ32WA00	Wireless food thermometer
HEZ390090	Wok Set consisting of 3 Items
HEZ390210	System pan diameter 15 cm
HEZ390220	System pan diameter 19 cm
HEZ390230	System pan diameter 21cm
HEZ9CF240	Fry pan, coated 24cm Ø
HEZ9CF280	Fry pan, coated 28cm Ø
HEZ9ES100	Espresso maker 4 cups
HEZ9FE280	Iron pan Ø 18 / 28 cm
HEZ9SE030	Set of 2 pots and 1 pan
HEZ9SE040	4 pieces Set
HEZ9SE060	6 pieces Set

Product name/family:	Cooking zone ceramic
Built-in / Free-standing:	Built-in
Energy input:	Electric
Total number of positions that can be used at the same time:	5
Required niche size for installation (HxWxD):	51 x 750-750 x 490-500 mm
Width of the appliance:	802 mm
Dimensions:	51x802x522 mm
Dimensions of the packed product (HxWxD):	130 x 950 x 600 mm
Net weight:	12.8 kg
Gross weight:	16.3 kg
Residual heat indicator:	yes
Location of control panel:	Front
Basic surface material:	Ceramic
Color of surface:	Black
Length electrical supply cord:	110.0 cm
Sealed Burners:	No
Power Boost:	All cooking zones
Power of heating element (kW):	2 kW
Power of 3rd heating element (kW):	1.6 kW
Power of 5th heating element (kW):	1.6 kW
Power of heating element (kW in boost):	[3.1] kW
Power of 3rd heating element (kW in boost):	[2.2] kW
Power of 5th heating element (kW in boost):	[2.2] kW
Connection rating:	7400 W
Voltage:	220-240 V
Frequency:	50; 60 Hz
Energy input:	Electric
Plug type:	No plug (electrical connection by electrician)
Appliance Dimensions (h x w x d) (in):	x x
Dimensions of the packed product:	5.11 x 23.62 x 37.40
Net weight:	28.000 lbs
Gross weight:	36.000 lbs
Total number of positions that can be used at the same time:	5
Length electrical supply cord:	110.0 cm
Required niche size for installation (HxWxD):	51 x 750-750 x 490-500 mm
Dimensions:	51x802x522 mm
Dimensions of the packed product (HxWxD):	130 x 950 x 600 mm
Net weight:	12.8 kg
Gross weight:	16.3 kg



Series 6, Induction hob, 80 cm, Black, surface mount without frame PIV83KHC1E

The DirectSelect hob with PerfectFry Plus: Direct and simple control with temperature sensor to prevent scorching.

- 80 cm: space for 5 pots

Flexibility of cooking zones

- Cooking zone front left: 180 mm, 2 KW (max. power 3.1 KW)
- Cooking zone rear left: 145 mm, 1.6 KW (max. power 2.2 KW)
- Cooking zone rear middle: 240 mm, 2.5 KW (max. power 3.7 KW)
- Cooking zone rear right: 145 mm, 1.6 KW (max power 2.2 KW)
- Cooking zone front right: 210 mm, 2.5 KW (max. power 3.7 KW)

Usage convenience

- DirectSelect: directly control the power with the imprinted touch bar.
- Favourite button: directly access favourite functions with a configurable button (available with connected Home Connect account).
- 17 power levels: precisely adapt the heat with 17 power levels (9 main levels and 8 intermediate levels).
- Keep warm, selectable via Favourite button/Home Connect App (expected availability in Q4/2024 via software update for appliances connected to Home Connect): keep dishes warm at preset low power level.
- Switch-off timer (on appliance): switches off the cooking zone at the end of the time set (e.g. for boiled eggs).
- Count-down-timer (can be chosen instead of switch-off timer): an alarm sounds at the end of the time set (e.g. for pasta).
- Sound volume adaptable to personal preference and needs.

Time saving & efficiency

- Power Boost for all zones : boil water more quickly thanks to 50% more energy than at the highest standard level.
- Pan Boost, selectable via Favourite button/Home Connect App (expected availability in Q4/2024 via software update for appliances connected to Home Connect): heat up pans more quickly than at the highest standard level while protecting the pan coating.
- QuickStart Function: when switching on, the hob automatically selects the cooking zone with cookware (placed in off-mode).
- Restart Function: in case of unintentional switch-off, restore all previous settings by switching on the hob again within 4 seconds.

Cooking assistance

- PerfectFry Plus sensor: prevents scorching with the automatic temperature regulation of the integrated sensor.
- Dish assistant, via Home Connect App (expected availability in Q4/2024 via software update for appliances connected to Home Connect): easily find the right temperature setting for a certain dish via the Home Connect app.

Connectivity

- Home Connect (only in countries where Home Connect service is available: check if the hob is switched off even when not at home, and find recipes or additional functions in the Home Connect app).
- Cooktop-Based Hood Control: automatically activates the hood when cooking, thanks to the WiFi connection of hob and suitable

hood.

- Smart Hood Automatic (available after software update): hood automatically adapts fan speed thanks to hob continuously providing cooking data (with matching hood and connected Home Connect account).
- Smart home trigger, via Favourite button (available with connected Home Connect account): open up the smart universe from your cooktop (partner service required).
- Updateable appliance (available with connected Home Connect account): keep appliance always up to date with latest status of software.

Design

- Bevelled front: finely bevelled glass in the front

Safety

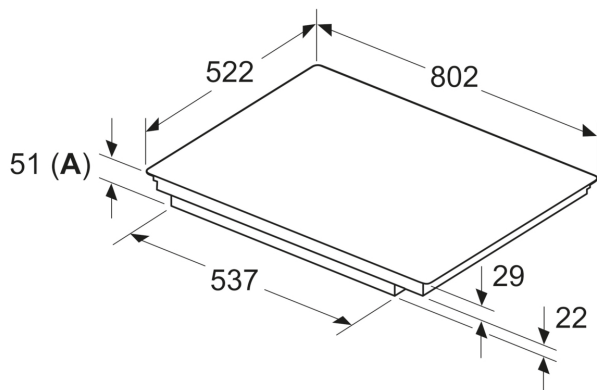
- Residual heat indicator (2 stage): indicates which cooking zones are still hot or warm.
- Childproof lock: prevent unintended activation of the hob.
- Pause function: pause the heating process, e.g. to answer the door.
- Main Switch: switch off all cooking zones at the touch of a button.
- Safety switch-off: for safety reasons, heating stops after a preset time without interaction.

Installation

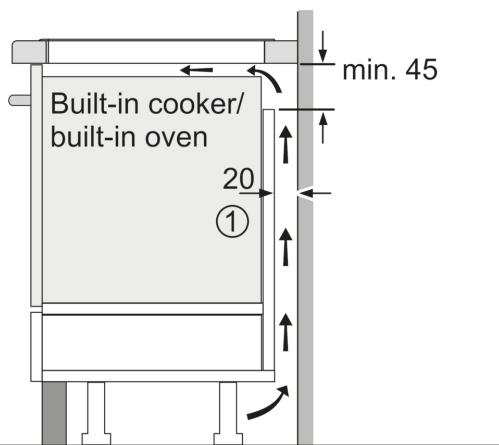
- Dimensions of the product (HxWxD mm): 51 x 802 x 522
- Required niche size for installation (HxWxD mm) : 51 x 750 x (490 - 500)
- Min. worktop thickness: 16 mm
- Connected load: 7400 W
- PowerManagement Function: limit the maximum power if needed (depends on fuse protection of electric installation).

**Series 6, Induction hob, 80 cm,
Black, surface mount without frame
PIV83KHC1E**

Measurements in mm

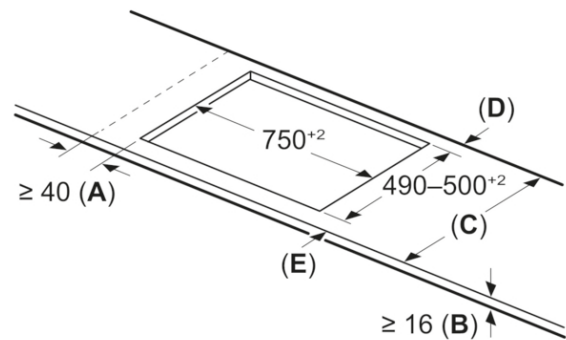


A: Recessed depth



① Ventilation gap must be present

All measurements in mm



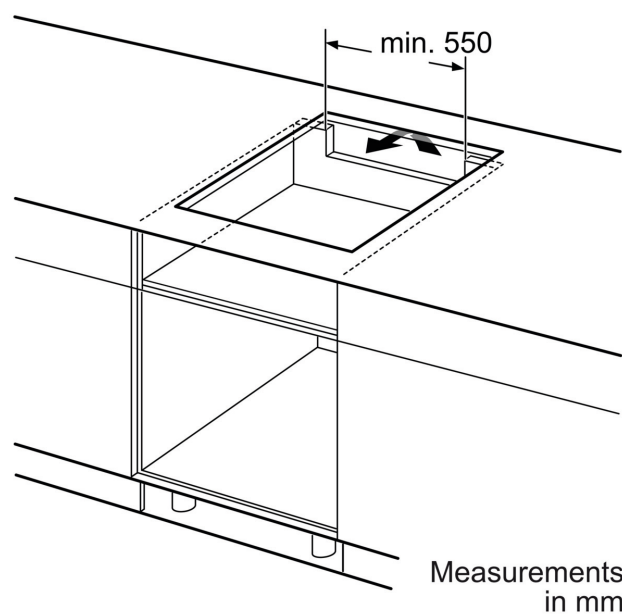
C	D	E
585–600	50	≥ 35
> 600	≥ 50	≥ 50

A: Min. distance from the hob cut-out to the wall

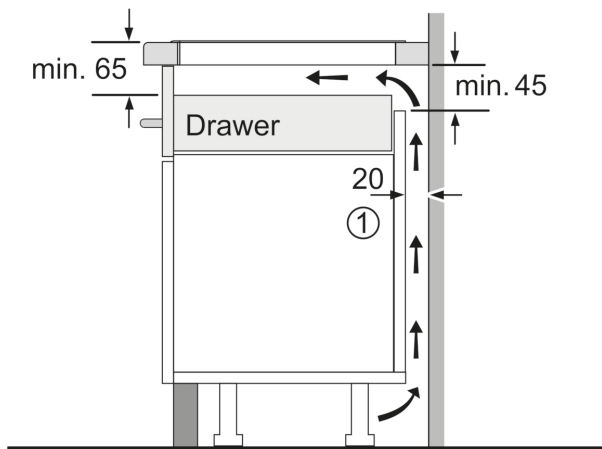
B: The clearance between the surface of the worktop and the top of the front of the oven must be 30 mm

See space requirements for the oven

The worktop into which the hob is installed must withstand loads of approx. 60 kg; suitable substructures must be used if required



Measurements in mm



①
Ventilation gap must
be present.

Measurements in mm