

*N 90, BUILT-IN COMPACT OVEN WITH
MICROWAVE FUNCTION, 60 X 45 CM, FLEX DESIGN
C29MY7MY0*



*Twist Pad Flex© sold separately

Included accessories

2 x combination grid, 1 x universal pan

Optional accessories

Z11AB15A0 Baking tray, non-stick ceramic coated, Z11AU15A0 Universal pan, non-stick ceramic coated, Z11CR10X0 Baking and roasting grid (standard), Z11GT10X3 Glass roasting dish, 5,4l, Z11GU20X0 Glasspan, Z11SZ00X1 SC FlexDesign mounting kit, Z12CB10A0 Baking tray, enamelled, Z12CM10A0 Moussaka pan, enamelled, Z12CP10A0 Pizza pan, enamelled, Z12CU10A0 Multipurpose pan, enamelled, Z9045DY0 FlexDesign DB 45 Compact/MW 45, Z9045MY0 FlexDesign MS 45 Compact/MW 45, Z9060AY0 (SC) FlexDesign AG 60 Oven 60, Z9060BY0 (SC) FlexDesign BB 60 Oven 60, Z9060DY0 (SC) FlexDesign DB 60 Oven 60, Z9060MY0 (SC) FlexDesign MS 60 Oven 60, Z9075AY0 SC FlexDesign AG 75 WD 14 + 60, Z9075BY0 SC FlexDesign BB 75 WD 14 + 60, Z9075DY0 SC FlexDesign DB 75 WD 14 + 60, Z9075MY0 SC FlexDesign MS 75 WD 14 + 60, Z9098AY0 SC FlexDesign AG 98 60 + MW 38, Z9098BY0 SC FlexDesign BB 98 60 + MW 38, Z9098DY0 SC FlexDesign DB 98 60 + MW 38, Z9098MY0 SC FlexDesign MS 98 60 + MW 38, Z9105AY0 SC FlexDesign AG 105 60 + 45, Z9105BY0 SC FlexDesign BB 105 60 + 45, Z9105DY0 SC FlexDesign DB 105 60 + 45, Z9105MY0 SC FlexDesign MS 105 60 + 45, Z912AAY0 SC FlexDesign AG 120 WD14 + 60 + 45, Z912ABY0 SC FlexDesign BB 120 WD14 + 60 + 45, Z912ADY0 SC FlexDesign DB 120 WD14 + 60 + 45, Z912AMY0 SC FlexDesign MS 120 WD14 + 60 + 45, Z912BAY0 SC FlexDesign AG 120 60+60, Z912BBY0 SC FlexDesign BB 120 60+60, Z912BDY0 SC FlexDesign DB 120 60+60, Z912BMY0 SC FlexDesign MS 120 60+60, Z9801TWAY0 Twist Pad Flex, Anthracite Grey, Z9801TWBY0 Twist Pad Flex, Brushed Bronze, Z9801TWDY0 Twist Pad Flex, Deep Black, Z9801TWMY0 Twist Pad Flex, Metallic Silver, Z990AAY0 SC FlexDesign AG 90 WD 29 + 60, Z990ABY0 SC FlexDesign BB 90 WD 29 + 60, Z990ADY0 SC FlexDesign DB 90 WD 29 + 60, Z990AMY0 SC FlexDesign MS 90 WD 29 + 60, Z990BAY0 SC FlexDesign AG 90 45 + 45, Z990BBY0 SC FlexDesign BB 90 45 + 45, Z990BDY0 SC FlexDesign DB 90 45 + 45, Z990BMY0 SC FlexDesign MS 90 45 + 45, Z99RX70X0 Connecting cable 3m, Z13CR10X0 Baking and roasting grid (steam), Z13CV05S0 Cover Strip, Z13CV06S0 Decor strip, Z1655CA0 Air Fry & Grill tray,

Flex Design compact oven, Microwave and Flex Control - changeable design elements with different colours to choose and Premium 6,8" Full Touch TFT Display. Multipoint Meatprobe with forecast function. Home Connect - control your oven via the App.

- ✓ Premium 6.8-inch Full Touch TFT Display: easy and intuitive interface for maximum comfort.
- ✓ Twist Pad Flex®: the easy-to-spin dial for effortless control of your Flex Control appliances.
- ✓ Flex Design: choose a finishing touch to match your kitchen's aesthetic – and change it up later!
- ✓ Seamless Combination with Flex Design: watch your favourite appliances blend together seamlessly.
- ✓ Inverter Technology: gradual, even heating for your meals.

Features

Technical Data

Type of micro-wave oven:MW-Combi
 Type of control:Electronic
 Dimensions: 455 x 596 x 548 mm
 Cavity dimensions: 237.0 x 480 x 392.0 mm
 Length of electrical supply cord: 150.0 cm
 Net weight: 34.9 kg
 Gross weight: 38.0 kg
 EAN code:4242004266655
 Maximum micro-wave power: 900 W
 Connection rating:3600 W
 Fuse protection: 16 A
 Voltage: 220-240 V
 Frequency: 60; 50 Hz
 Plug type: Gardy plug w/ earthing
 Included accessories: 2 x combination grid, 1 x universal pan



Z1913X0 Baking Stone, Z19DD10X0 Steam set for ovens,
Z9045AY0 FlexDesign AG 45 Compact/MW 45, Z9045BY0
FlexDesign BB 45 Compact/MW 45

Installation Accessories

Z11SZ00X1 SC FlexDesign mounting kit, Z9045AY0 FlexDesign AG
45 Compact/MW 45, Z9045BY0 FlexDesign BB 45 Compact/MW
45, Z9045DY0 FlexDesign DB 45 Compact/MW 45, Z9045MY0
FlexDesign MS 45 Compact/MW 45, Z9105AY0 SC FlexDesign AG
105 60 + 45, Z9105BY0 SC FlexDesign BB 105 60 + 45, Z9105DY0
SC FlexDesign DB 105 60 + 45, Z9105MY0 SC FlexDesign MS 105
60 + 45, Z912AAY0 SC FlexDesign AG 120 WD14 + 60 + 45,
Z912ABY0 SC FlexDesign BB 120 WD14 + 60 + 45, Z912ADY0 SC
FlexDesign DB 120 WD14 + 60 + 45, Z912AMY0 SC FlexDesign MS
120 WD14 + 60 + 45, Z990BAY0 SC FlexDesign AG 90 45 + 45,
Z990BBY0 SC FlexDesign BB 90 45 + 45, Z990BDY0 SC FlexDesign
DB 90 45 + 45, Z990BMY0 SC FlexDesign MS 90 45 + 45

*N 90, BUILT-IN COMPACT OVEN WITH
MICROWAVE FUNCTION, 60 X 45 CM, FLEX DESIGN
C29MY7MY0*

Features

- Compact oven with microwave with 20 heating methods: Top/bottom heat, Full surface grill, Centre surface grill, Bread baking, Bottom heat, Low temperature cooking, Dough proving, Plate warming, Keep warm, Conventional heat gentle, Microwave, 4D Hot air, Conventional heat, Full width grill, Half width grill, Hot air grilling

Design

- Flex Design
- Touch control
- Cavity inner surface: enamel anthracite

Features

- HomeConnect ready on WLAN
- Oven Assistant with Voice Control
- Door lock during pyrolytic cleaning
- Control panel lock Automatic safety switch off Residual heat indicator Start button Door contact switch

Programmes/functions

- Temperature range 30 °C - 275 °C
- Max. Power: 900 W; 5 Microwave power settings (90 W, 180 W, 360 W, 600 W, boost) with Inverter (MW)
- Intelligent microwave inverter technology: For optimised results maximum output power will be regulated to 600 W when used in longer operation for gentler cooking.
- LED light, On/off button
- Electronic clock timer
- Drop down door, SoftClose, soft opening
- Quadruple glazed door glazed CoolTouch door
- 30 °C - Very low door temperature
- Temperature proposal
- Actual temperature display Heating up indicator Temperature probe
- cookControl Plus
- Rapid heat
- Cooling fan
- Stainless-steel fan

Level independent telescopic rails

- 3 shelf positions
- 1 level telescopic shelf, pyrolytic proof

Cleaning

- Pyrolytic cleaning
- EasyClean

Accessories

- 2 x combination grid, 1 x universal pan

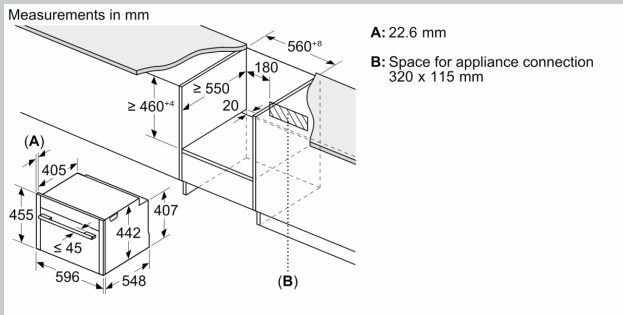
Performance/technical information

- Power cord length 150 cm Cable length
- Nominal voltage: 220 - 240 V
- Total connected load electric: 3.6 KW
- Cavity volume: 45 litre
- Appliance dimension (hxwx): 455 mm x 596 mm x 548 mm

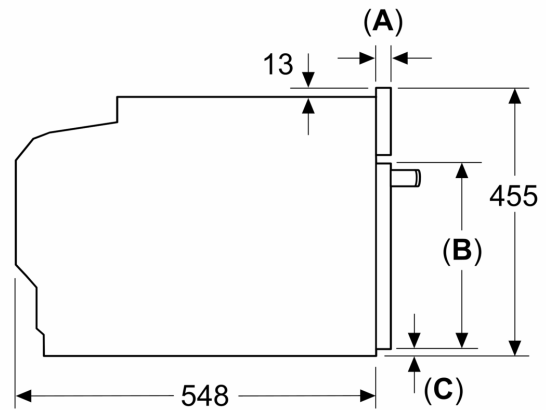
- Niche dimension (hxwx): 450 mm - 455 mm x 560 mm - 568 mm x 550 mm
- Please refer to the dimensions provided in the installation manual

N 90, BUILT-IN COMPACT OVEN WITH
MICROWAVE FUNCTION, 60 X 45 CM, FLEX DESIGN
C29MY7MY0

Dimensioned drawings

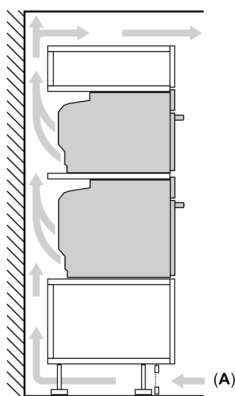


Measurements in mm



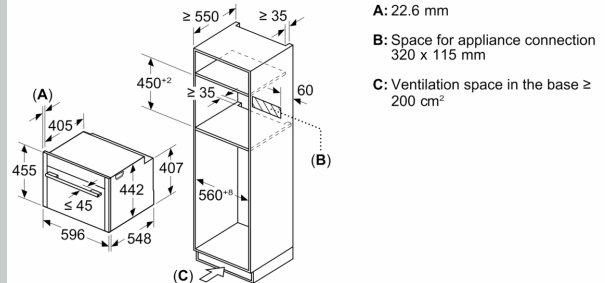
- A: 22.6 mm
B: ≤ 347.5 mm
C: 7.5 mm

Installing two appliances on top of each other
Air exchange



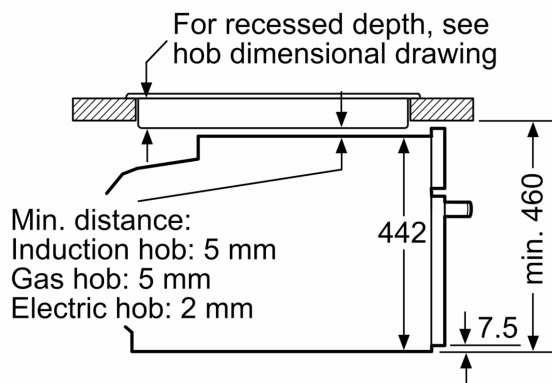
A: Air inlet ≥ 200 cm²

Measurements in mm



Dimensioned drawings

Installation with a hob.



measurements in mm

If the compact appliance will be installed underneath a hob, the following worktop thicknesses (including substructure if necessary) must be taken into account.

Hob type	min. worktop thickness	
	fitted	flush
Induction hob	42 mm	43 mm
Full surface Induction hob	52 mm	53 mm
Gas hob	32 mm	43 mm
Electric hob	32 mm	35 mm