

Series 8, Built-in compact oven with microwave function, 60 x 45 cm, Black CMG7761B1

The compact microwave oven with Digital Control Ring and TFT-touchdisplay: enables you to achieve perfect baking and roasting results very quickly. Home Connect for control via the App.

Type of oven / heating system:

- Compact oven with microwave with 20 heating methods: 4D hotair, Conventional heat, Hot air grilling, Full width grill, Half width grill, Pizza setting, Bottom heat, Low temperature cooking, Defrost, Preheating, Keep warm, Hotair gentle, Conventional heat gentle, Air fry, microwave, 4D hotair + microwave, Top/bottom heat + microwave, grill + microwave, half width grill + microwave, hotair grilling + microwave
- Max. Power: 900 W; 5 Microwave power settings (90 W, 180 W, 360 W, 600 W, boost) with Inverter (MW)
- Intelligent inverter technology: maximum output power will be regulated to 600 W when used in longer operation
- Temperature range 30 °C - 300 °C
- Cavity volume: 45 l

Hook-in racks / rails

- Number of shelf levels: 3 PC

Design:

- Touch control
- Digital Control Ring
- Cavity inner surface: enamel
- Extra large capacity oven

Cleaning:

- Pyrolytic self-cleaning function
- Cleaning Assistance (program)

Comfort:

- Oven Assistant with Voice Control
- TFT-touchdisplay Plus
- Electronic clock
- Temperature proposal
Actual temperature display Heating-up control
- Drop down door
- Oven door with SoftOpen and SoftClose
- Supporting systems: Dish Assist
- Air Fry Function
- Automatic rapid heating up
- Crisp Function
- LED light, Switch for oven illumination
- Integral cooling fan
- Home Connect ready on Wi-Fi

Accessory:

- 1 x combination grid, 1 x universal pan

Environment and Safety:

- low door temperature
- Quadruple glass door panel glazed CoolTouch door
- Automatic door lock during pyrolysis
Child lock Residual heat indicator Start-/Stop button Door contact switch

Technical Information

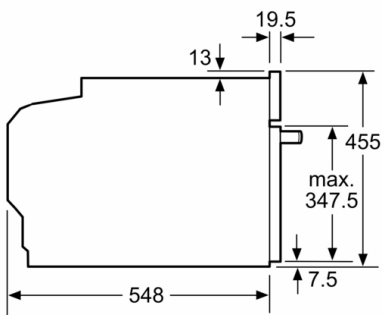
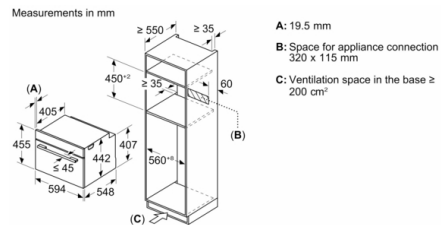
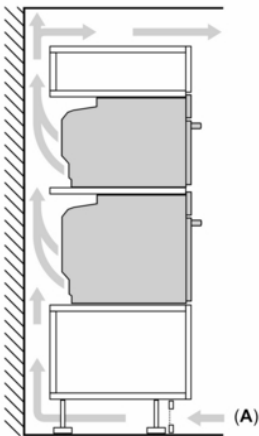
- Length of mains cable: 150 cm
- Nominal voltage: 220 - 240 V
- Total connected load electric: 3.6 KW

Dimensions:

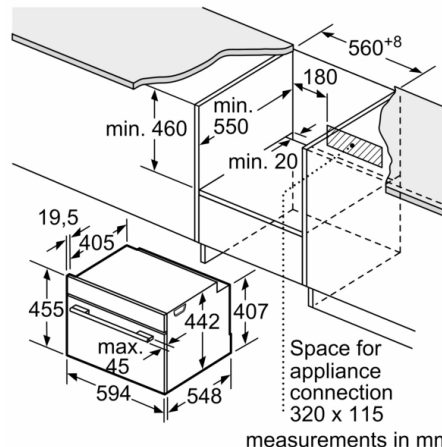
- Appliance dimension (HxWxD): 455 mm x 594 mm x 548 mm
- Niche dimension (HxWxD): 450 mm - 455 mm x 560 mm - 568 mm x 550 mm
- "Please reference the built-in dimensions provided in the installation drawing"
- We recommend you to choose complementary products within Series 8, in order to assure an optimal design combination of your Built-In appliances.

Series 8, Built-in compact oven with microwave function, 60 x 45 cm, Black CMG7761B1

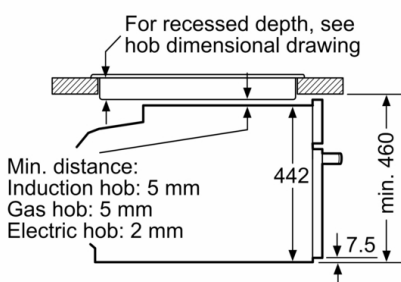
Installing two appliances on top of each other
Air exchange



measurements in mm



Installation with a hob.



measurements in mm

If the compact appliance will be installed underneath a hob, the following worktop thicknesses (including substructure if necessary) must be taken into account.

Hob type	min. worktop thickness	
	fitted	flush
Induction hob	42 mm	43 mm
Full surface Induction hob	52 mm	53 mm
Gas hob	32 mm	43 mm
Electric hob	32 mm	35 mm