

N 70, Built-In Microwave, Flex Design  
NL9GR31Y1



The built-in microwave for the 38 cm niche - use it for defrosting, heating and perfect preparation of foods

- ✓ 3,7" Full Touch TFT Display - Intuitive navigation for easy use and complete control.
- ✓ Flex Design - Choose a finishing touch to match your kitchen's aesthetic – now and later!
- ✓ Seamless Combination with Flex Design - Watch your favourite appliances blend together seamlessly.
- ✓ Automatic Meal Settings - Easy cooking with preselected programmes for a wide variety of dishes.
- ✓ Microwave - high wattage and low effort for quick meals

#### Features

##### Technical Data

Type of micro-wave oven : MW+Grill function  
Type of control : Electronic  
Dimensions : 382 x 596 x 318 mm  
Cavity dimensions : 220 x 350 x 270 mm  
Length electrical supply cord : 175.0 cm  
Net weight : 18.1 kg  
Gross weight : 20.0 kg  
EAN code : 4242004266822  
Maximum micro-wave power : 900 W  
Connection Rating : 1990 W  
Fuse protection : 10 A  
Voltage : 220-240 V  
Frequency : 50; 60 Hz  
Plug type : GARDY plug w/ earthing  
Cavity dimensions : 220 x 350 x 270 mm  
Included accessories : 1 x grid, 1 x Glass tray

#### Optional accessories

Z9038AY0	FlexDesign AG 38 MW 38
Z9038BY0	FlexDesign BB 38 MW 38
Z9038DY0	FlexDesign DB 38 MW 38
Z9038MY0	FlexDesign MS 38 MW 38
Z9098AY0	SC FlexDesign AG 98 60 + MW 38
Z9098BY0	SC FlexDesign BB 98 60 + MW 38
Z9098DY0	SC FlexDesign DB 98 60 + MW 38
Z9098MY0	SC FlexDesign MS 98 60 + MW 38



4 242004 266822

## Features

### Microwave and heating mode:

- Max. Power: 900 W; 5 Microwave power settings: 90 W, 180 W, 360 W, 600 W, boost
- Intelligent inverter technology: maximum output power will be regulated to 600 W when used in longer operation
- Grill 1.3 KW
- Grill and microwave power levels 90 W, 180 W, 360 W combinable

### Design:

- Flex Design
- stainless steel cavity with glass bottom
- Touch control
- Touch key operation

### Cleaning:

- Catalytic ceiling
- Easy Clean (program)

### Comfort:

- electronic clock
- 3,7" Full Touch TFT Display, Electronic Control
- User-friendly electronics: extremely easy and comfortable operation
- Number of automatic programmes: 10 PC
- LED light
- Cavity volume: 21 l
- side opening door, hinge left

### Accessory:

- 1 x Glass tray, 1 x grid

### Environment and Safety:

- Start-/Stop button  
Door contact switch
- Cooling fan

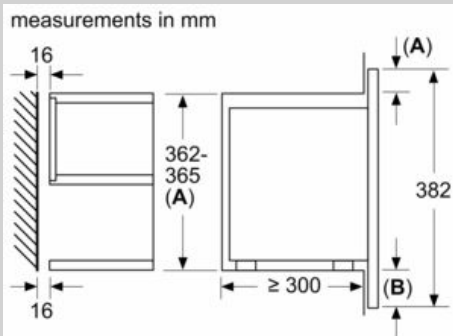
### Technical Information

- Length of mains cable: 175 cm
- Total connected load electric: 1.99 KW
- Nominal voltage: 220 - 240 V
- suitable for high cupboard installation, for built-in in a wall cupboard

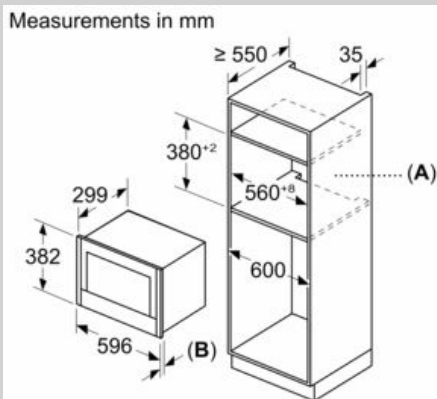
### Dimensions:

- Appliance dimension (HxWxD): 382 mm x 596 mm x 318 mm
- Niche dimension (HxWxD): 362 mm - 382 mm x 560 mm - 568 mm x 300 mm
- "Please reference the built-in dimensions provided in the installation drawing"

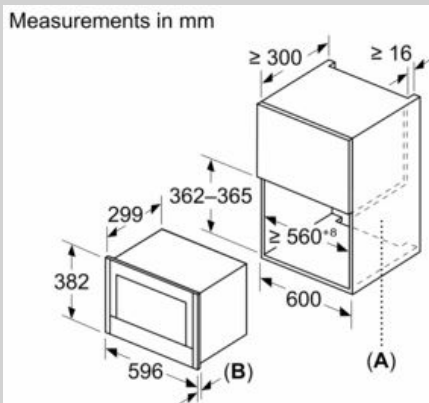
Dimensioned drawings



- A:** Overhang at top:  
 Recess 362: 6 mm  
 Recess 365: 3 mm  
**B:** Overhang at bottom: 14 mm



- A:** Back wall open  
**B:** 22.6 mm



- A:** Back wall open  
**B:** 22.6 mm