

**Series 6, fully-integrated dishwasher,
60 cm, Variable hinge for special
installation situations
SMH6ZCX06E**



Give feedback on your washing and drying results via the app and the Intelligent Programme adapts to your needs.

- **PerfectDry based on Zeolith technology:** perfect drying results with less energy usage even on difficult to dry dishes.
- **Intelligent Programme:** Individually adapts the washing and drying cycle based on your feedback.
- **Max Flex baskets:** flexible and stable loading for your dishes, with superior sliding performance.
- **Home Connect:** home appliances with smart connectivity for an easier everyday life.
- **Extra Clean Zone:** extra thorough cleaning for heavily soiled items in the upper basket.

- SGZ0BI01 decorative strips stainless steel 81,5cm
- SGZ0IC00 Small Item Clip for upper rack
- SGZ1010 inlet and outlet hose extension
- SGZ8BI00 Connection rail for divided furniture
- SMZ1051EU Mains cable with EU-Plug 5m
- SMZ2014 Rack insert for stemware dishwasher
- SMZ5002 Silver polishing cassette
- SMZ5035 Decor conversion kit, stainless steel
- SMZ5100 Vario-cutlery basket
- SMZ5300 GlassSecure Tray

Energy Efficiency Class (Regulation (EU) 2017/1369): B
Energy Consumption for 100 cycles Eco Programme (EU 2017/1369):65 kWh
Maximum number of place settings (EU 2017/1369): 14
The water consumption of the eco programme in liters per cycle (EU 2017/1369):9.0 l
Programme duration (EU 2017/1369): 3:35 h
Airborne acoustical noise emissions (EU 2017/1369):	..40 dB(A) re 1 pW
Airborne acoustical noise emission class (EU 2017/1369): B
Cleaning performance:A
Water consumption:9.0 l
Total annual water consumption 220 days: 1980 l
Built-in / Free-standing: Built-in
Removable top: No
Door panel options: Not possible
Height of removable worktop: 0 mm
Height of the appliance:815 mm
Adjustable feet: Yes - all from front
Maximum adjustability feet: 60 mm
Adjustable plinth: Both horizontal and vertical
Net weight:46.7 kg
Gross weight: 48.5 kg
Connection rating: 2400 W
Fuse protection:10 A
Voltage: 220-240 V
Frequency: 50; 60 Hz
Length electrical supply cord: 175.0 cm
Plug type: Gardy plug w/ earthing
Length inlet hose: 165 cm
Length outlet hose: 190 cm
Hidden heating element: Yes
Water protection system description: Triple water protection 24h
Child safety devices: No
Water softener:Yes
Top basket type: R3
Adjustable upper basket: Rackmatic 3-stage
Bottom basket type: R3
3rd Rack: VarioDrawer
Optional accessories:	SGZ0BI01, SGZ0IC00, SGZ1010, SGZ8BI00, SMZ1051EU, SMZ2014, SMZ5002, SMZ5035, SMZ5100, SMZ5300
Included accessories 2: Vapor barrier plate
Number of place settings: 14
Dimensions of the product (HxWxD):815 x 598 x 550 mm
Dimensions of the packed product (HxWxD): 880 x 660 x 670 mm



Series 6, fully-integrated dishwasher, 60 cm, Variable hinge for special installation situations SMH6ZCX06E

**Give feedback on your washing and drying
results via the app and the Intelligent
Programme adapts to your needs.**

BOSCH - Header 1

- Energy Efficiency Class¹: B
- Energy² / Water³: 65 kWh / 9 litres
- Capacity: 14 place settings
- Programme duration⁴: 3:35 (h:min)
- Noise level: 40 dB(A) re 1 pW
- Noise Efficiency Class: B
- Noise level (silence programme): 39 dB(A) re 1 pW

BOSCH - Header 2

- 8 Programmes: Eco 50 °C, Auto 45-65 °C, Intelligent, Intensive 70 °C, Express 60° 60 °C, Glass 40 °C, Silence 50 °C, Pre-Rinse
- Favourite Program
- 4 special options: Remote Start, Extra Dry, Intensive Zone, SpeedPerfect+
- Machine Care

BOSCH - Header 3

- Zeolite-Drying
- DosageAssist
- EcoSilence Drive
- Detergent Automation
- Self-cleaning filter system with 3-fold corrugated filter
- Interior tub material: Stainless Steel

BOSCH - Header 4

- Max Flex Baskets with red coloured touchpoints
- Extra Clean Zone
- VarioDrawer
- Rackmatic height-adjustable top basket (3 stage)
- Easy Slide pullout system on upper rack
- Low friction wheels on bottom basket
- Colored anti-slip protection strips in upper rack
- Rack Stopper to prevent derailing of bottom basket
- 2 foldable plate racks in top basket
- 6 foldable plate racks in bottom basket
- 2 cup shelves with soft silicone front part in top basket
- 2 cup shelves in bottom basket

BOSCH - Header 5

- Home Connect enabled via WLAN
- Touch Control (metallic)
- Push button top controls
- Panel legend: Plain text (english)
- Status Light
- Remaining programme time indicator (min)
- Acoustic end of cycle indicator
- Electronic delay timer: 1-24 hours

BOSCH - Header 6

- AquaStop: Bosch warranty in case of water damage – for the lifetime of the appliance.*
- with VarioHinge
- Glass protection technology

BOSCH - Header 7

- incl. salt filling funnel
- Incl. Steam protection plate

BOSCH - Header 8

- Product dimensions (HxWxD): 81.5 x 59.8 x 55 cm

¹ Scale of Energy Efficiency Classes from A to G

² Energy consumption in kWh per 100 cycles (in programme Eco 50 °C)

³ Water consumption in litres per cycle (in programme Eco 50 °C)

⁴ Duration of programme Eco 50 °C

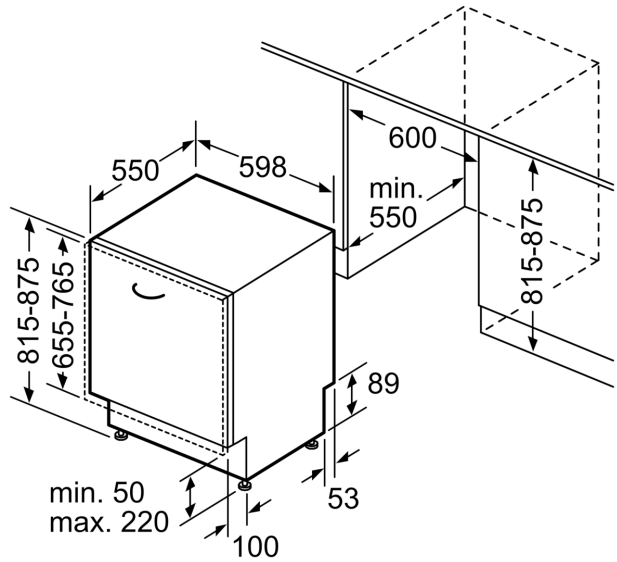
* Please find warranty terms under [please insert here the local URL (internet address, e.g. <https://www.bosch-home.com/> but with the direct page with the warranty terms)

**Series 6, fully-integrated dishwasher,
60 cm, Variable hinge for special
installation situations
SMH6ZCX06E**

measurements in mm



⚡ socket
() values with extension kit



measurements in mm