

**Series 8, fully-integrated dishwasher,  
60 cm, Variable hinge for special  
installation situations  
SMH8ZCX01E**



**Give feedback on your washing and drying results via the app and the Intelligent Programme adapts to your needs.**

- **PerfectDry based on Zeolith technology:** perfect drying results with less energy usage even on difficult to dry dishes.
- **Intelligent Programme:** Individually adapts the washing and drying cycle based on your feedback.
- **Max Flex Pro baskets:** highest flexibility and protection for your dishes, with superior sliding performance.
- **Home Connect:** home appliances with smart connectivity for an easier everyday life.
- **Extra Clean Zone:** extra thorough cleaning for heavily soiled items in the upper basket.

- SGZ0BI01 decorative strips stainless steel 81,5cm
- SGZ0IC00 Small Item Clip for upper rack
- SGZ1010 inlet and outlet hose extension
- SGZ8BI00 Connection rail for divided furniture
- SMZ1051EU Mains cable with EU-Plug 5m
- SMZ5035 Decor conversion kit, stainless steel
- SMZ5100 Vario-cutlery basket
- SMZ5300 GlassSecure Tray

Energy Efficiency Class (Regulation (EU) 2017/1369):	..... C
Energy Consumption for 100 cycles Eco Programme (EU 2017/1369):	.....75 kWh
Maximum number of place settings (EU 2017/1369):	..... 14
The water consumption of the eco programme in liters per cycle (EU 2017/1369):	.....9.0 l
Programme duration (EU 2017/1369):	..... 3:20 h
Airborne acoustical noise emissions (EU 2017/1369):	..39 dB(A) re 1 pW
Airborne acoustical noise emission class (EU 2017/1369):	..... B
Cleaning performance:	.....A
Water consumption:	.....9.0 l
Total annual water consumption 220 days:	..... 1980 l
Built-in / Free-standing:	..... Built-in
Removable top:	..... No
Door panel options:	..... Not possible
Height of removable worktop:	..... 0 mm
Height of the appliance:	.....815 mm
Adjustable feet:	..... Yes - all from front
Maximum adjustability feet:	..... 60 mm
Adjustable plinth:	..... Both horizontal and vertical
Net weight:	.....51.1 kg
Gross weight:	..... 53.0 kg
Connection rating:	..... 2400 W
Fuse protection:	.....10 A
Voltage:	..... 220-240 V
Frequency:	..... 50; 60 Hz
Length electrical supply cord:	..... 175.0 cm
Plug type:	..... Gardy plug w/ earthing
Length inlet hose:	..... 165 cm
Length outlet hose:	..... 190 cm
Hidden heating element:	..... Yes
Water protection system description:	..... Triple water protection 24h
Child safety devices:	..... No
Water softener:	.....Yes
Top basket type:	..... R4
Adjustable upper basket:	..... Rackmatic 3-stage
Bottom basket type:	..... R4
3rd Rack:	..... VarioDrawer Pro
Optional accessories: ....	SGZ0BI01, SGZ0IC00, SGZ1010, SGZ8BI00, SMZ1051EU, SMZ5035, SMZ5100, SMZ5300
Included accessories 2:	..... Vapor barrier plate
Number of place settings:	..... 14
Dimensions of the product (HxWxD):	.....815 x 598 x 550 mm
Dimensions of the packed product (HxWxD):	..... 880 x 660 x 670 mm



## Series 8, fully-integrated dishwasher, 60 cm, Variable hinge for special installation situations SMH8ZCX01E

**Give feedback on your washing and drying  
results via the app and the Intelligent  
Programme adapts to your needs.**

### **BOSCH - Header 1**

- Energy Efficiency Class<sup>1</sup>: C
- Energy<sup>2</sup> / Water<sup>3</sup>: 75 kWh / 9 litres
- Capacity: 14 place settings
- Programme duration<sup>4</sup>: 3:20 (h:min)
- Noise level: 39 dB(A) re 1 pW
- Noise Efficiency Class: B
- Noise level (silence programme): 38 dB(A) re 1 pW

### **BOSCH - Header 2**

- 8 Programmes: Eco 50 °C, Auto 45-65 °C, Intelligent, Intensive 70 °C, Express 60° 60 °C, Glass 40 °C, Silence 50 °C, Pre-Rinse
- Favourite Program
- 5 special options: Remote Start, Extra Dry, Intensive Zone, Hygiene+, SpeedPerfect+
- Machine Care

### **BOSCH - Header 3**

- Zeolite-Drying
- DosageAssist
- EcoSilence Drive
- Detergent Automation
- Self-cleaning filter system with 3-fold corrugated filter
- Interior tub material: Stainless Steel

### **BOSCH - Header 4**

- Max Flex Pro Baskets with red coloured touchpoints
- Extra Clean Zone
- VarioDrawer Pro
- Rackmatic height-adjustable top basket (3 stage)
- Easy Slide pullout system on upper rack
- Low friction wheels on bottom basket
- Colored anti-slip protection strips in upper rack
- Rack Stopper to prevent derailing of bottom basket
- 6 foldable plate racks in top basket
- 8 FlexTines in bottom basket
- 2 cup shelves with soft silicone front part in top basket
- 2 cup shelves in bottom basket
- Glass rack in bottom basket

### **BOSCH - Header 5**

- Home Connect enabled via WLAN
- inside
- Touch Control (metallic)
- Push button top controls
- Panel legend: Plain text (english)
- EmotionLight
- Status Light

- Real-time clock
- Acoustic end of cycle indicator
- Electronic delay timer: 1-24 hours

### **BOSCH - Header 6**

- AquaStop: Bosch warranty in case of water damage – for the lifetime of the appliance.\*
- with VarioHinge
- Precise glass protection technology

### **BOSCH - Header 7**

- incl. salt filling funnel
- Incl. Steam protection plate

### **BOSCH - Header 8**

- Product dimensions (HxWxD): 81.5 x 59.8 x 55 cm

<sup>1</sup> Scale of Energy Efficiency Classes from A to G

<sup>2</sup> Energy consumption in kWh per 100 cycles (in programme Eco 50 °C)

<sup>3</sup> Water consumption in litres per cycle (in programme Eco 50 °C)

<sup>4</sup> Duration of programme Eco 50 °C

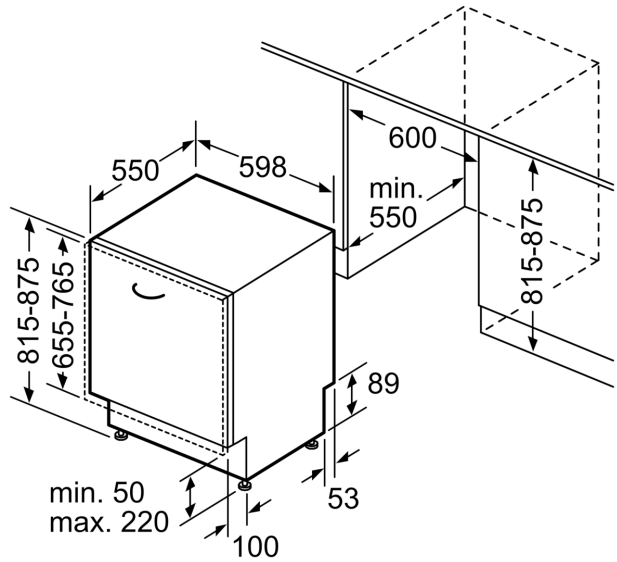
\* Please find warranty terms under [please insert here the local URL (internet address, e.g. <https://www.bosch-home.com/> but with the direct page with the warranty terms)

**Series 8, fully-integrated dishwasher,  
60 cm, Variable hinge for special  
installation situations  
SMH8ZCX01E**

measurements in mm



⚡ socket  
( ) values with extension kit



measurements in mm