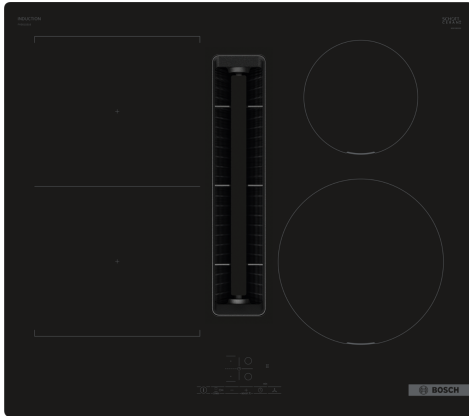


**Series 4, Induction hob with integrated ventilation system, 60 cm, surface mount without frame PVS611B16E**



**Included accessories**

1 x Slider for unducted recirculation, 1 x Clean Air Plus odor filter

**Optional accessories**

HEZ390090 Wok Set consisting of 3 Items, HEZ9ES100 Espresso maker 4 cups, HEZ9FE280 Iron pan Ø 18 / 28 cm, HEZ9SE030 Set of 2 pots and 1 pan, HEZ9SE040 4 pieces Set, HEZ9SE060 6 pieces Set, HEZ9VDKE1 Exhaust kit, HEZ9VDKR0 Recirculation kit 2 L-bow (70cm), HEZ9VDKR1 Recirculation kit S and L-bow (60cm), HEZ9VDKR2 Recirculation kit 1x L-bow, HEZ9VDSB1 90° flat duct bend horizontal, HEZ9VDSB2 90° flat duct L vertical, HEZ9VDSB3 90° flat duct M vertical, HEZ9VDSB4 90° flat duct S vertical, HEZ9VDSI0 Adapter round-flat, HEZ9VDSI1 90° Adapter round-flat, HEZ9VDSM1 Straight tube 500mm, HEZ9VDSM2 Straight tube 1000mm, HEZ9VDSS1 Connector sleeve (female), HEZ9VDSS2 Flex sleeve (female), HEZ9VEDU0 Acoustics Filter, HEZ9VRCR1 Clean Air Plus odor filter (replacement), HEZ9VRPD0 Basic kit (partly-)ducted recirculation, HEZ9VRPD1 Plinth Diffusor, HEZ9VRUD0 Kit Unducted Recirculation

**The induction hob with integrated ventilation module: combines induction with ventilation technology for perfect results.**

- **Integrated ventilation module:** extract steam and cooking odours at the source.
- **TouchSelect:** Selection of the desired cooking zone and easy setting of the desired power level.
- **CombiZone:** More flexibility by combining two cooking zones, for roasters and more.
- **PowerBoost:** up to 50% more power for faster heating on your induction hob.
- **QuickStart:** start straight away and select the desired cooking level.

**Technical Data**

Appliance type: .....Cooking zone ceramic  
 Installation type: .....Built-in  
 Heating type: .....Electric hob  
 Min. required niche size for installation (HxWxD): ....223 x 560-560 x 490-490 mm  
 Width of the appliance: .....592 mm  
 Dimensions: .....223 x 592 x 522 mm  
 Dimensions of the packed product (HxWxD): .....430 x 690 x 660 mm  
 Net weight: .....22.6 kg  
 Gross weight: .....27.4 kg  
 Residual heat indicator: .....Separate  
 Location of control panel: .....Front  
 Basic surface material: .....Glass ceramic  
 Color of surface: .....Black  
 Length of electrical supply cord: .....110.0 cm  
 Sealed Burners: .....No  
 heating with booster: .....All  
 Power of 2nd heating element (kW): .....3.6 kW  
 Power of 5th heating element (kW): .....1.4 kW  
 Number of speed settings: .....3-stages + intensive setting  
 Maximum output air extraction: .....500 m<sup>3</sup>/h  
 Boost position output recirculating: .....595.0 m<sup>3</sup>/h  
 Maximum output recirculating air: .....441 m<sup>3</sup>/h  
 Boost position air extraction: .....622 m<sup>3</sup>/h  
 Noise level: .....69 dB(A) re 1 pW  
 Odour filter: .....No  
 Voltage: .....220-240/380-415 V  
 Frequency: .....50-60 Hz  
 Length of electrical supply cord: .....110.0 cm  
 Min. required niche size for installation (HxWxD): ....223 x 560-560 x 490-490 mm  
 Dimensions: .....223 x 592 x 522 mm  
 Dimensions of the packed product (HxWxD): .....430 x 690 x 660 mm  
 Net weight: .....22.6 kg  
 Gross weight: .....27.4 kg  
 Included accessories: 1 x Slider for unducted recirculation, 1 x Clean Air Plus odor filter  
 Delay Shut off modes: .....30R\_12E min



## Series 4, Induction hob with integrated ventilation system, 60 cm, surface mount without frame PVS611B16E

### The induction hob with integrated ventilation module: combines induction with ventilation technology for perfect results.

- 60 cm: space for 4 pots or pans.

#### Flexibility of cooking zones

- Combi zone
- : use bigger cookware by connecting two classic cooking zones into one large zone.
- Cooking zone front left: 190 mm, 210 mm, 2.2 KW (max. power 3.7 KW)
- Cooking zone rear left: 190 mm, 210 mm, 2.2 KW (max. power 3.7 KW)
- Cooking zone rear right: 145 mm , 1.4 KW (max power 2.2 KW)
- Cooking zone front right: 210 mm, 2.2 KW (max. power 3.7 KW)

#### Usage convenience

- TouchSelect: control the power with imprinted +/- touch buttons.
- Variable 17-stage power settings for each zone: precisely adapt the heat with 17 power levels (9 main levels and 8 intermediate levels).
- Switch-off timer: switches off the cooking zone at the end of the time set (e.g. for boiled eggs).
- Count-down timer: an alarm sounds at the end of the time set (e.g. for pasta).

#### Time saving & efficiency

- PowerBoost function for all zones
- : boil water faster thanks to 50% more energy than at the highest standard level.
- QuickStart function: when switching on, the hob automatically selects the cooking zone with cookware (when placed on a zone whilst the hob is off).
- ReStart function: in case of unintentional switch-off, this feature restores all previous settings by switching on the hob again within 4 seconds.
- Quick Stop: quickly switch off a cooking zone with one longer touch.

#### Design

- Frameless design

#### Safety

- 2 stage residual heat indicator for each zone: indicates which cooking zones are still hot or warm.
- Control panel lock: prevent unintended activation of the hob.
- Main on/off switch: switch off all cooking zones at the touch of a button.
- Automatic safety shut off: for safety reasons, heating stops after a preset time if not used (possible to customise).

#### Installation

- Dimensions of the product (HxWxD mm): 223 x 592 x 522
- Required niche size for installation (HxWxD mm) : 223 x 560 x (490

- 490)

- Min. worktop thickness: 16 mm
- Connected load: 7.4 KW
- Power management options for 16A, 13A or 10A connection: limit the maximum power if needed (depends on fuse protection of electric installation).

#### Accessories

- Clean Air Plus odor filter, Slider for unducted recirculation included
- Suitable for installation into a 60 cm base cabinet

#### Integrated ventilation downdraft system

- Induction cooktop with fully integrated high-performance downdraft extractor.
- Suitable for ducted or recirculated extraction configuration (incl. differentiated software modes). Installation accessories for unducted recirculation, among these four cleanAir odor filters and a telescopic slider element, are included in the cooktop. Accessories for other installation options are available, details in the planning notes.
- Aesthetically integrated fully flush air intake design with floating, heat resistant glass ceramics element for free movement and placement of cookware.
- Ventilation system with 3 electronically controlled fan power levels and 1 Boost-/Intensive fan power levels (with automatic revert) via TouchSelect user interface
- Automatic switch-on of ventilation system when a cooking zone is used.
- Automatic delayed shut-off after cooking to erase residual odors after cooking (in specific ultra low-noise fan level, 12min in ducted extraction, 30min in recirculated extraction, can be shut-off manually).
- Fully manual control possible via TouchSelect.
- High-performance, low-noise blower with energy-efficient BLDC-technology. High extraction rates at very low noises with pleasant noise frequencies through psycho-acoustically and aerodynamically optimized interior with enclosed, non-visible blower. Highly pressuredrop resistant even with longer and more complex ductings.
- Easy-to-detach and easy-to-clean grease filter and liquid collector unit:
  - Convenient one-hand removal of unit via floating glass ceramics handle.
  - Integrated, large-scale, high performance stainless-steel grease filters with 12 filtration layers and one black top layer for enhanced aesthetic integration. Grease filtration efficiency of 94 %.
  - All parts of the unit are easy-to-clean, fully dishwasher safe and heat resistant.
  - (Upper) Liquid collector unit with 200ml of capacity for standard accidental spillages or cooking condensate.
  - Powerful drainage system for spillages that exceed 200ml of liquids.
  - Liquid safety collector with additional capacity of 700ml for more severe accidental situations. Dishwasher safe. Easily accessible and detachable from below.
  - Overall capturing capacity of 900ml (200ml + 700ml).
  - Watertight blower system.
- Ventilation system performance:
  - Extraction performance in ducted extraction (according to EN 61591): min. normal setting 330 m<sup>3</sup>/h , max. normal setting 500 m<sup>3</sup>/h , max. Boost-/Intensive setting 622 m<sup>3</sup>/h .

- - Extraction performance in recirculated extraction (according to EN 61591): min. normal setting 252 m<sup>3</sup>/h , max. normal setting 441 m<sup>3</sup>/h , max. Boost-/Intensive setting 595 m<sup>3</sup>/h.
- - Noise level in ducted extraction (Sound power level according to EN 60704-3): min. normal setting 61 dB re 1 pW, max. normal setting 69 dB re 1 pW, max. Boost-/Intensive setting 74 dB re 1 pW.
- - Noise level in recirculated extraction (Sound power level according to EN 60704-3. ): min. normal setting 55 dB re 1 pW, max. normal setting 66 dB re 1 pW, max. Boost-/Intensive setting 72 dB re 1 pW.
- - Grease filter efficiency (according to EN 61591) 94 %.
- Consumption data and energy efficiency (according to Regulation (EU) No 65/2014):
- - Energy Efficiency Class: B (at a range of energy efficiency classes from A+++ to D).
- - Fluid Dynamic Efficiency: A .
- - Average energy consumption: 57 .
- - Grease filtration efficiency class: B .
- - Noise min. normal setting & max. normal setting: 61 dB & 69 dB .
- For recirculation configuration: 2 x 2 battery of directly integrated, high-performance cleanAir odor filters.
- - Optimised odour reduction performance for cooking applications with complex odour molecules (e.g. fish).
- - Large scale filter surface with high odour reduction capabilities.
- - Anti-pollen functionality: The filter retains an extremely high amount of airborne pollen and deactivates allergens which are retained by the filter.
- - Lifetime of 360 hours of cooking (non-regenerative).
- - Low-noise filters with optimised psycho-acoustics.
- - Easy-to-access and easy-to-remove from above.
- - Replenishment cleanAir filter set HEZ9VRCR0.
- For ducted extraction configuration: 2 x 2 sets of directly integrated, high-performance low-noise acoustic filters for significantly lower noise and improved psycho-acoustics.

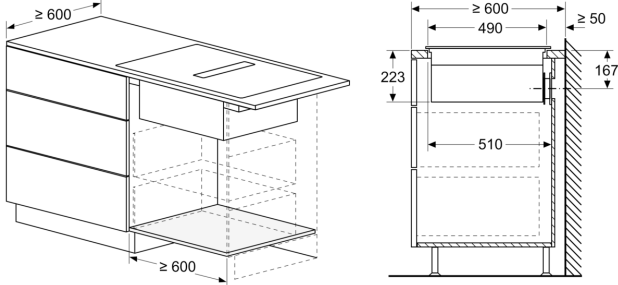
#### Planning & installation notes

- Suitable for ducted or recirculated extraction installations in 4 different options (unducted, partly and fully ducted recirculation or ducted extraction). Installation accessories for unducted recirculation, among these four cleanAir odor filters and a telescopic slider element, are included in the cooktop. The included accessories allow easy and quick installations and can be planned in all worktop depths  $\geq 60$ cm. For other types of installation, one of the following accessory kits is recommended:
- HEZ9VDKR1 for partly-ducted recirculation in worktops of  $\geq 60$ cm depth with max. worktop height of 960 mm. HEZ9VDKR0 for partly-ducted recirculation in worktops of  $\geq 70$ cm depth with max. worktop height of 960 mm.
- HEZ9VDKE1 as starter kit for ducted extraction in worktops of  $\geq 60$ cm depth.
- To complete the fully ducted extraction or to do any other individual recirculation planning different ducting accessories are available.
- Planning suggestions:
  - - Installation is possible in island as well as wall oriented configurations.
  - - The product and its accessories comply with the Needle Flame Test (according to IEC 60695-11-5) and the V2 flammability class (according to UL94).
  - - The max. immersion depth is 223 mm below worktop surface.
  - - The appliance must be freely accessible from below (i.e. for

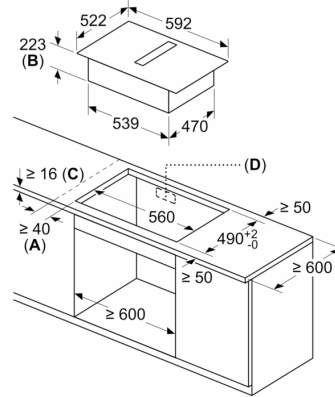
- accessing the lower liquid safety collector).
- - No false floor is necessary below the cooktop with integrated downdraft ventilation system. The drawers and/or shelves in the floor unit must be removable. The backpanel of the floor unit can be kept - only a cut-out for the air outlet is needed (position and size can be taken from the installation instructions).
- An installation with unducted recirculation requires a vertical aperture of min. 25mm behind the backpanel of the furniture. Suggested for ideal performance are 50mm.
- The minimum worktop thickness is 16 mm for top mounted and flush installed appliances with the standard installation system. Installation in even thinner worktops is also possible with the spare part: content 626792.
- - The overall appliance weight is 26kg - the bearing capacity and stability, in the case of very thin worktops in particular, must be supported using suitable substructures. The overall appliance weight and the worktop manufacturer's structural integrity specifications are to be taken into account.
- - For partly ducted and unducted recirculation extraction installations, a return-flow aperture of  $\geq 400$ cm<sup>2</sup> is to be respected in the plinth area. The aperture can be realized via outlet grids, lamella grids or subtly shortened plinths depending on the assortment of the kitchen furniture manufacturer.
- - The air outlet on the backside of the appliance can directly be accessed with a male flat duct element (DN 150).
- - The pressuredrop resistant blower allows longer and more complex ductings up to 8m with three 90° bows while keeping sufficient performance.
- - When installing a ventilation hood with ducted extraction and a chimney-vented fireplace, the power supply line of the appliance needs a suitable safety switch. This is not required for configurations in recirculated extraction.
- - In ducted extraction configuration a one-way flap (or backflow trap) with a maximum opening pressure of 65Pa should be installed.

## Series 4, Induction hob with integrated ventilation system, 60 cm, surface mount without frame PVS611B16E

measurements in mm

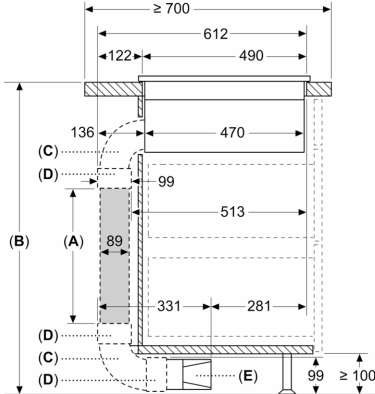


measurements in mm



- A:** Minimum distance from the hob cut-out to the wall
- B:** Recessing depth
- C:** The worktop into which the hob is installed must withstand loads of approx. 60kg; suitable substructures must be used if required.
- D:** Cut-out in back panel required for pipework. Exact size and position can be taken from specific drawing.

Measurements in mm



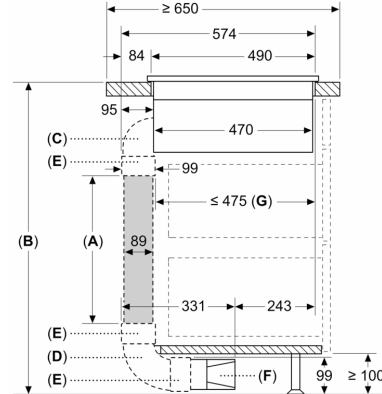
- A:** Tube length
- B:** Kitchen height
- C:** 90° L-size bow
- D:** Connector sleeve
- E:** Diffusor

Ducting kit available for  $\geq 700$  mm depth worktops and up to 960 mm height

The installer has to select the tube length and if necessary cut it according to the kitchen height

A	B
500	$\leq 960$
1000	$> 960$

Measurements in mm

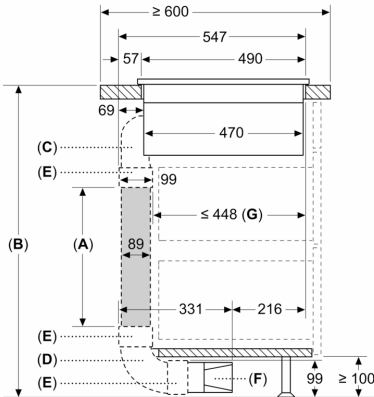


- A:** Tube length
- B:** Kitchen height
- C:** 90° M-size bow
- D:** 90° L-size bow
- E:** Connector sleeve
- F:** Diffusor
- G:** Shortened Drawer

The installer has to select the tube length and if necessary cut it according to the kitchen height

A	B
500	$\leq 940$
1000	$> 940$

Measurements in mm



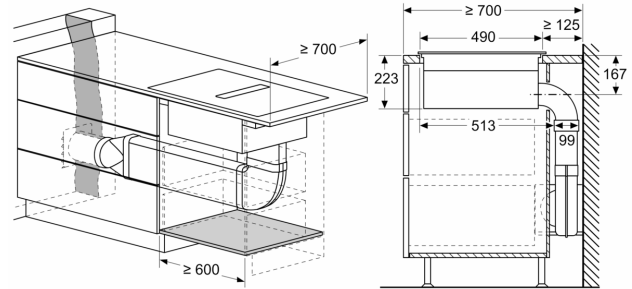
- A: Tube length
- B: Kitchen height
- C: 90° S-size bow
- D: 90° L-size bow
- E: Connector sleeve
- F: Diffusor
- G: Shortened Drawer

Ducting kit available for ≥ 600 mm depth worktops and up to 960 mm height

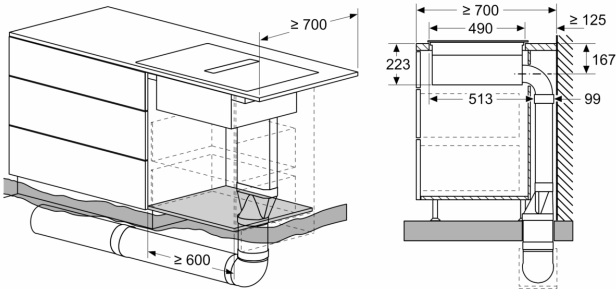
The installer has to select the tube length and if necessary cut it according to the kitchen height

A	B
500	≤ 990
1000	> 990

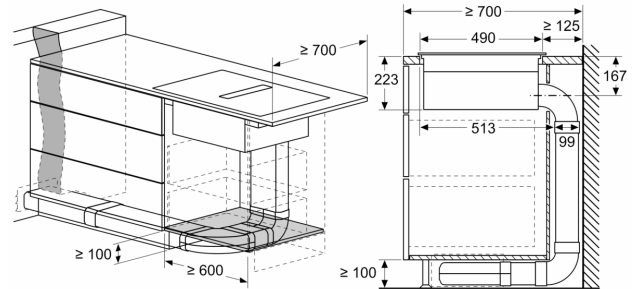
measurements in mm



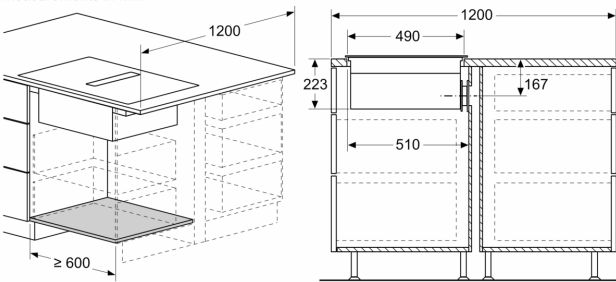
measurements in mm



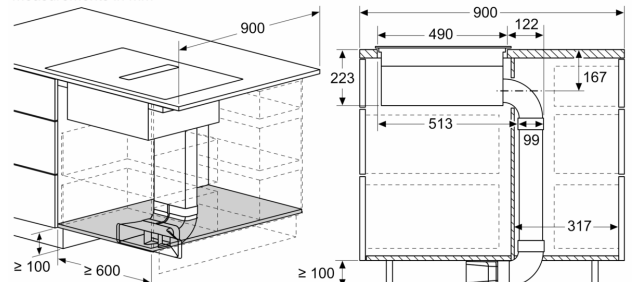
measurements in mm

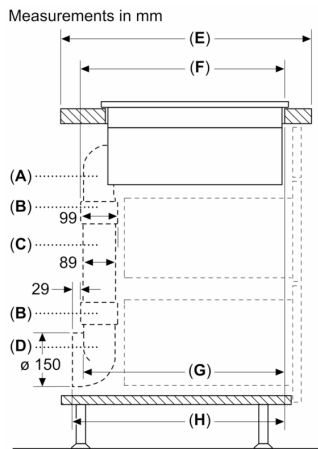


measurements in mm



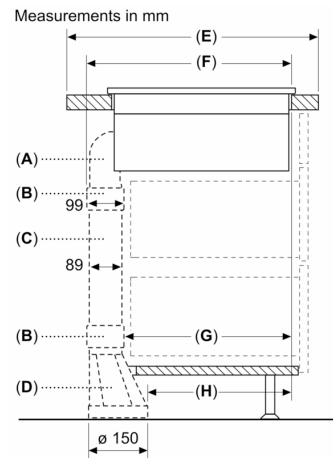
measurements in mm





A	E	F	G	H
S-size	≥ 600	547	545	579
M-size	≥ 650	574	569	603
L-size	≥ 700	612	609	643

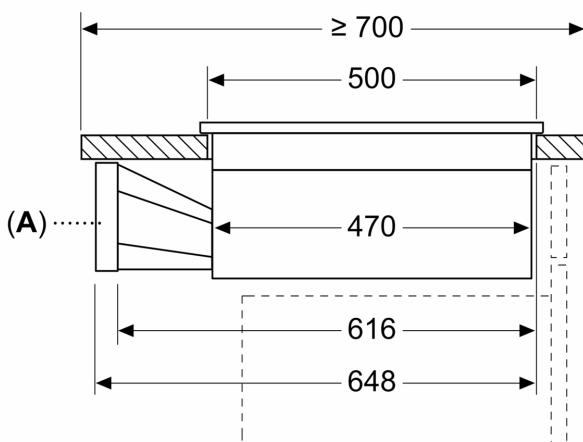
A: 90° Bow  
 B: Connector sleeve  
 C: Straight tube  
 D: 90° Adapter round-flat



A	E	F	G	H
S-size	≥ 600	547	451	389
M-size	≥ 650	574	475	413
L-size	≥ 700	612	515	453

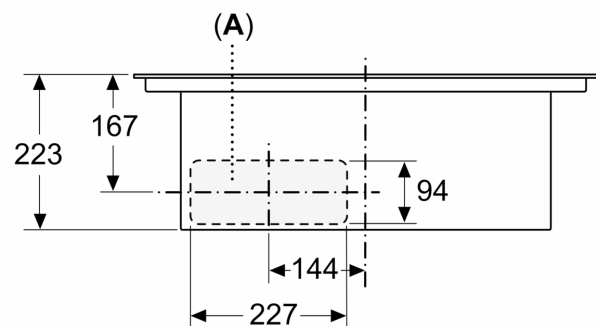
A: 90° Bow  
 B: Connector sleeve  
 C: Straight tube  
 D: Straight adapter round-flat

Measurements in mm



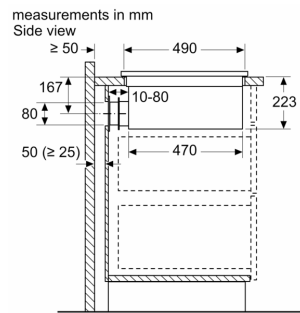
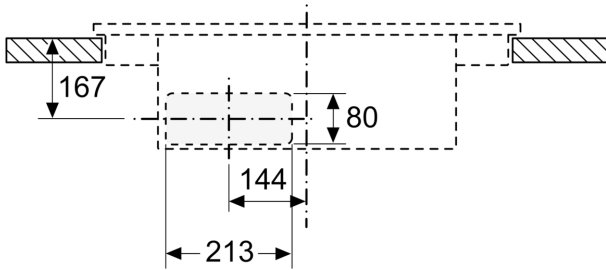
A: Adapter round-flat

measurements in mm  
 Front view



A: Connected directly at the rear

measurements in mm  
 Front view - unit cut-out  
 for unducted recirculation



When installing directly against outer walls that are not insulated ( $\mu \geq 0.5 \text{ W/m}^2\text{°C}$ ), we recommend using partially or fully ducted recirculation configurations.

measurements in mm  
 Front view

