

**Series 8, Built-in compact oven, 60 x 45 cm,
Black
CBG7341B1**

The compact oven with Digital Control Ring and TFT touchscreen: so you can enjoy great cooking convenience even in smaller spaces, Home Connect for control via the App. The compact oven with Digital Control Ring and TFT touchscreen: so you can enjoy great cooking convenience even in smaller spaces, Home Connect for control via the App. The compact oven with Digital Control Ring and TFT touchscreen: so you can enjoy great cooking convenience even in smaller spaces, Home Connect for control via the App.

Type of oven / heating system:

- Compact oven with 12 heating methods: Conventional heat, Hot air grilling, Full width grill, Half width grill, Bottom heat, Defrost, Preheating, Keep warm, Hotair gentle, Conventional heat gentle, Air fry, 2D Hotair
- Temperature range 30 °C - 300 °C
- Cavity volume: 47 l

Hook-in racks / rails

- Number of shelf levels: 3 PC
- Telescopic shelf rails as optional accessory

Design:

- Touch control
- Digital Control Ring
- Cavity inner surface: enamel

Cleaning:

- EcoClean Direct: coating of back panel
- Cleaning Assistance (program)
- Full glass inner door

Comfort:

- Oven Assistant with Voice Control
- TFT-touchdisplay
- Electronic clock
- Temperature proposal
Actual temperature display Heating-up control
- Drop down door
- Oven door with SoftOpen and SoftClose
- Supporting systems: Dish Assist
- Air Fry Function
- Halogen interior lighting, Switch for oven illumination
- Integral cooling fan
- Home Connect ready on Wi-Fi

Accessory:

- 1 x combination grid, 1 x universal pan

Environment and Safety:

- low door temperature
- Triple glazed door glazed CoolTouch door
- Child lock
Residual heat indicator Start-/Stop button Door contact switch

Technical Information

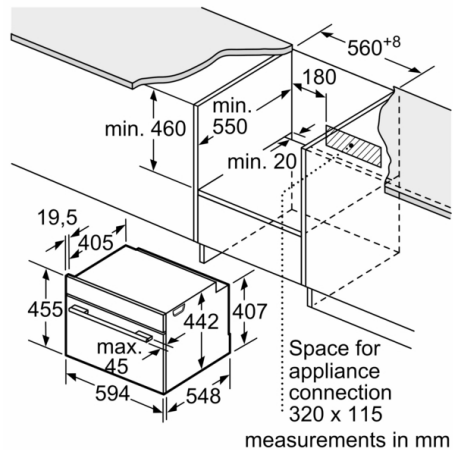
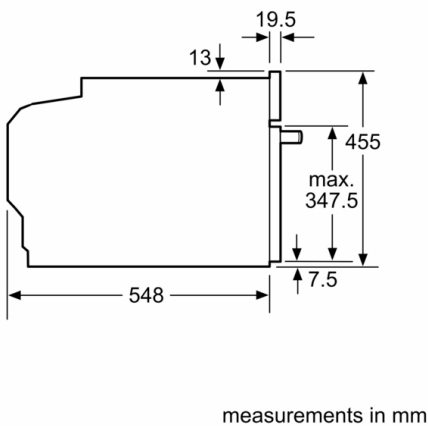
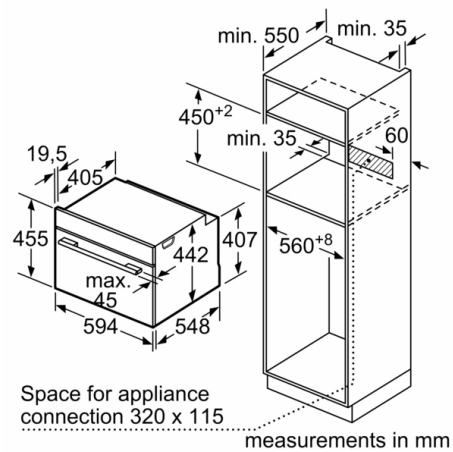
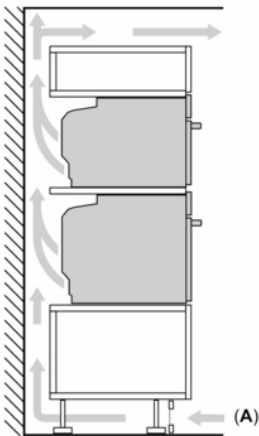
- Length of mains cable: 150 cm
- Nominal voltage: 220 - 240 V
- Total connected load electric: 2.9 KW
- Energy efficiency rating (acc. EU Nr. 65/2014): A+(at a range of energy efficiency classes from A+++ to D)
Energy consumption per cycle in conventional mode:0.73 kWh
Energy consumption per cycle in fan-forced convection mode:0.61 kWh
Number of cavities: 1 Heat source: electrical Cavity volume:47 l

Dimensions:

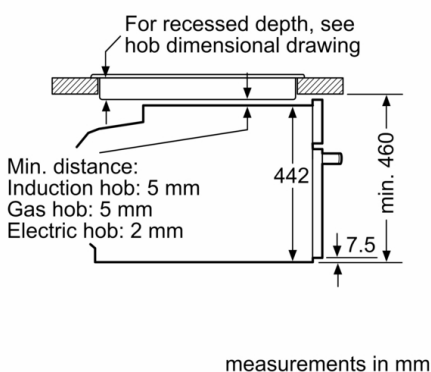
- Appliance dimension (HxWxD): 455 mm x 594 mm x 548 mm
- Niche dimension (HxWxD): 450 mm - 455 mm x 560 mm - 568 mm x 550 mm
- "Please reference the built-in dimensions provided in the installation drawing"

**Series 8, Built-in compact oven, 60 x 45 cm,
Black
CBG7341B1**

Installing two appliances on top of each other
Air exchange



Installation with a hob.



If the compact appliance will be installed underneath a hob, the following worktop thicknesses (including substructure if necessary) must be taken into account.

| Hob type | min. worktop thickness | |
|----------------------------|------------------------|-------|
| | fitted | flush |
| Induction hob | 42 mm | 43 mm |
| Full surface Induction hob | 52 mm | 53 mm |
| Gas hob | 32 mm | 43 mm |
| Electric hob | 32 mm | 35 mm |