

**Series 6, free-standing freezer, 186 x 60 cm, Stainless steel (with anti-fingerprint)
GSN36AIEP**



2 x cold accumulator

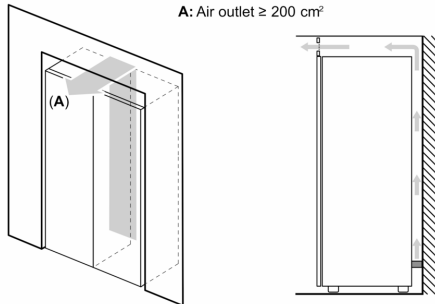
KSZ39AL00 Connection set inox

- **VarioZone:** more flexibility due to variable-use glass shelves and drawers in the freezer compartment.
- **NoFrost:** never defrost again, thanks to perfect protection from ice formation - that saves time and effort.
- **BigBox frozen food drawer:** for stacking storage containers or for large frozen food items.
- **IceTwister:** easy to remove and fill - for lots of ice cubes.
- **Intelligent Inverter Technology ensures a stable temperature control and efficient performance.**

Energy Efficiency Class (Regulation (EU) 2017/1369):	E
Average annual energy consumption in kilowatt hour per year (kWh/a) (EU) 2017/1369:	234 kWh/annum
Sum of volume of frozen compartments (EU 2017/1369):	242 l
Airborne acoustical noise emissions (EU 2017/1369):39 dB(A) re 1 pW
Airborne acoustical noise emission class (EU 2017/1369):	C
Product category:	Upright freezer
Built-in / Free-standing:	Free-standing
Frost free system:	Fridge and freezer
Climate class:	SN-T
Door panel options:	Not possible
Width of the appliance:	600 mm
Depth of the product:	650 mm
Dimensions of the packed product (HxWxD): ...	1900 x 650 x 750 mm
Warning signal / malfunction:	Both visual and audible
Number of drawers/baskets (Stck):	4
Number of freezing flaps (Stck):	0
Lockable door:	No
Thermometer freeze section:	Digital
Light:	Yes
Length electrical supply cord:	230.0 cm
Door hinge:	Right reversible
Net weight:	72.1 kg
Gross weight:	74.0 kg
Multi-Flow Air Tower:	Yes
Number of compressors:	1
Number of independent cooling systems:	1
Economy setting:	No
Fast freezing switch:	Yes
Number of Door Bins - Freezer:	0
Door bin adjustability - Freezer:	No
Tilt-out door bins in freezer:	No
Number of shelves - Freezer:	0
Door bin adjustability - Freezer:	No
No Shelf Material - Freezer:	Safety glass
Reversible Door Hinge:	Yes
Fuse protection:	10 A
Frequency:	50 Hz
Door panel options:	Not possible
Installation typology:	Free-standing
Noise level:39 dB(A) re 1 pW
Energy Star Qualified:	No
Plug type:	Gardy plug w/ earthing
Required cutout/niche size for installation (in):	x
Dimensions of the packed product:	74.80 x 25.59 x 29.52
Net weight:	159.000 lbs
Gross weight:	163.000 lbs
Included accessories:	2 x cold accumulator



**Series 6, free-standing freezer, 186 x 60 cm, Stainless steel (with anti-fingerprint)
GSN36AIEP**



	a	b	c	d	e	f
KSW36, GSD36	187					
KSV36, KSF36, GSN36, GSV36	186					
KSV33, GSN33, GSV33	176	60	65	58	60	119.5
KSV29, GSN29, GSV29	161					
GSV24	146					
GSN51	161					
GSN54	176	70	78	70	70	142
GSN58	191					

- a Height
- b Width
- c Depth with closed door w/o handle and w/o distance part
- d Depth of cabinet w/o distance part
- e Width with open door w/o handle
- f Depth with open door w/o handle w/o distance part

measurements in cm

