

Series 6, built-in fridge-freezer with freezer at bottom, 193.5 x 70.8 cm, soft close flat hinge KBN96ADD0



Built-in fridge freezer with XXL capacity and VitaFresh <0°C>: big boost in fridge capacity and ideal storage conditions for all your food.

- **Super Cooling function:** cools new food placed inside faster, thus protecting already cooled food.
- **2 Cooling Systems:** separately controllable refrigerator and freezer compartments
- **The Dual AirCool system provides even temperatures and minimizes odor transfer between the refrigerator and freezer cavities.**
- **LED lighting: keep your groceries in perfect view.**



KSZGGM00 Butter box

Energy Efficiency Class (Regulation (EU) 2017/1369): D
 Average annual energy consumption in kilowatt hour per year
 (kWh/a) (EU) 2017/1369: 204 kWh/annum
 Sum of volume of frozen compartments (EU 2017/1369): 98 l
 Sum of volume of chill- and unfrozen compartments (EU 2017/1369):
 284 l
 Airborne acoustical noise emissions (EU 2017/1369): .33 dB(A) re 1
 pW
 Airborne acoustical noise emission class (EU 2017/1369): B
 Built-in / Free-standing: Built-in
 Number of compressors: 1
 Number of independent cooling systems: 2
 Width of the appliance: 708 mm
 Height: 1935 mm
 Depth of the product: 548 mm
 Net weight: 72.8 kg
 Min. required niche size for installation (HxWxD): ..1940 x 710 x 560
 mm
 Door panel options: Not possible
 Door hinge: Right reversible
 Number of Adjustable Shelves in fridge compartment: 4
 Shelves for Bottles: Yes
 Frost free system: Fridge
 Interior ventilator: Yes
 Reversible Door Hinge: Yes
 Length electrical supply cord: 230.0 cm
 Multi-Flow Air Tower: No
 Fast cooling switch:Yes
 Fast freezing switch:Yes
 Temperature Controlled Drawer:No
 Humidity Control Drawer:No
 Number of Door Bins - Refrigerator: 1
 Door bin adjustability - Refrigerator: Yes
 Tilt-out door bins in fridge:No
 Gallon wide door bins: Yes
 Number of Gallon storage: 1
 Motorized Shelf: No
 Material of the shelves: Safety glass
 Door opened indicator freezer:Yes
 Automatic motor-driven ice-maker:No
 Fuse protection: 10 A
 Voltage: 220-240 V
 Frequency: 50 Hz
 Storage Period in Event of Power Failure (h): 13 h
 Door panel options: Not possible
 Energy Star Qualified:No
 Plug type: Gady plug w/ earthing
 Required cutout/niche size for installation (in):x
 Dimensions of the packed product: 79.52 x 30.31 x 25.19
 Net weight: 160.000 lbs
 Gross weight: 175.000 lbs



Series 6, built-in fridge-freezer with freezer at bottom, 193.5 x 70.8 cm, soft close flat hinge KBN96ADD0

Built-in fridge freezer with XXL capacity and VitaFresh <0°C>: big boost in fridge capacity and ideal storage conditions for all your food.

- Based on the results of the standard 24-hour test. Actual consumption depends on usage/position of the appliance.

Environment and Safety

Installation

General Information

Performance and consumption

- EU19_EEK_D: D
- Total Volume : 381 l
- Annual Energy Consumption: 204 kWh/a
- Noise Level : 33 dB

Design and Styling

- LED with Soft Start in fridge section
- Built-in-refrigerator 2-door, Bottom Fre

Convenience & Safety

- NoFrost - never again defrosting!
- yes
- Remote Monitoring and Control, iService Remote
- Separate, electronic temperature control, LED indicators
- Two Cooling Systems
- Super Cooling: automatic deactivation
- acoustic for Fridge and Freeze, acoustic for Fridge door, Optical and acoustic door open warning system
- Automatic defrost in fridge section

Fridge Compartment

- Net Fridge Volume : 284 l
- 5 safety glass shelves, of which 4 are height adjustable
- Bottle grid

Freshness System

Freezer Section

- Net Freezer Volume : 98 l
- LED with Soft Start
- Freezing capacity 24h : 10 kg
- Temperature rise time : 13 H
- 3 transparent freezer drawers

Dimensions

- Dimensions (H x W x D): 193.5 cm x 70.8 cm x 54.8 cm
- Niche Dimension (H x W x D): 194.0 cm x 71.0 cm x 56.0 cm

Technical Information

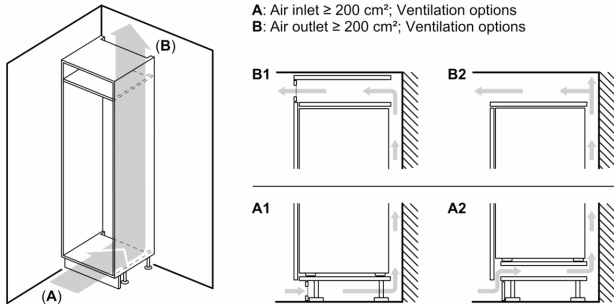
- Door right hinged, reversible
- Height adjustable front feet
- Climate Class: SN-T
- Nominal voltage: 220 - 240 V

Accessories

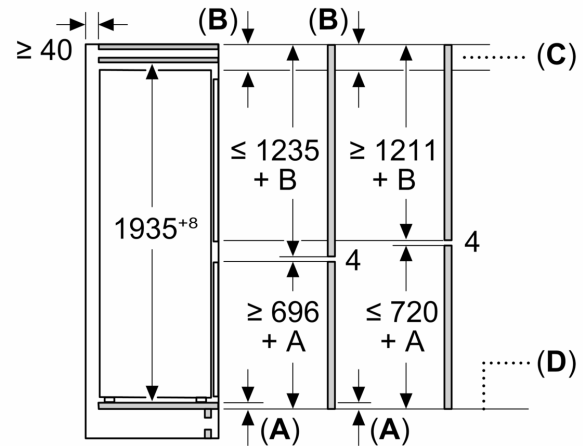
- egg tray
- ice cube tray

Country Specific Options

**Series 6, built-in fridge-freezer with
freezer at bottom, 193.5 x 70.8 cm,
soft close flat hinge
KBN96ADD0**



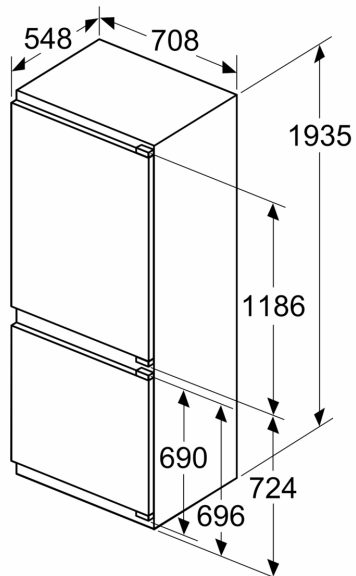
Measurements in mm



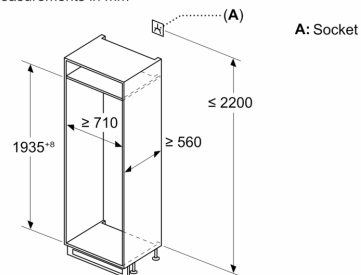
C: Front panel overhang

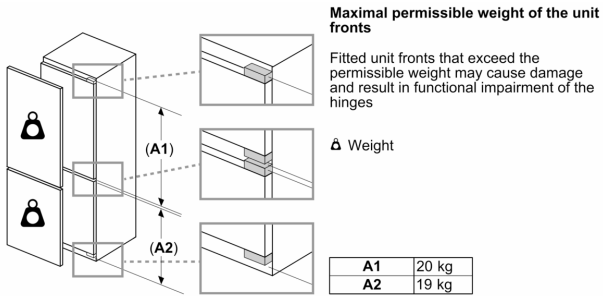
D: Lower edge of front panel

Measurements in mm

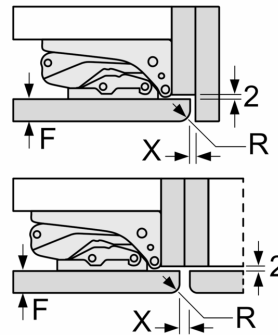


Measurements in mm





measurements in mm
Recommended gap dimensions for flat hinges



F	R	X
16-19	0-3	2.5
20	0-1	3
	2-3	2.5
21	0-1	3
	2-3	2.5
22	0	4
	1	3.5
	2-3	3

The gap dimensions recommended in the table must be adhered to in order to ensure that appliance doors do not collide with anything when they are opened, and to avoid causing damage to kitchen units.