

N 70, fully-integrated dishwasher, 60 cm, Variable hinge for special installation situations  
S177ZCX01E



#### Optional accessories

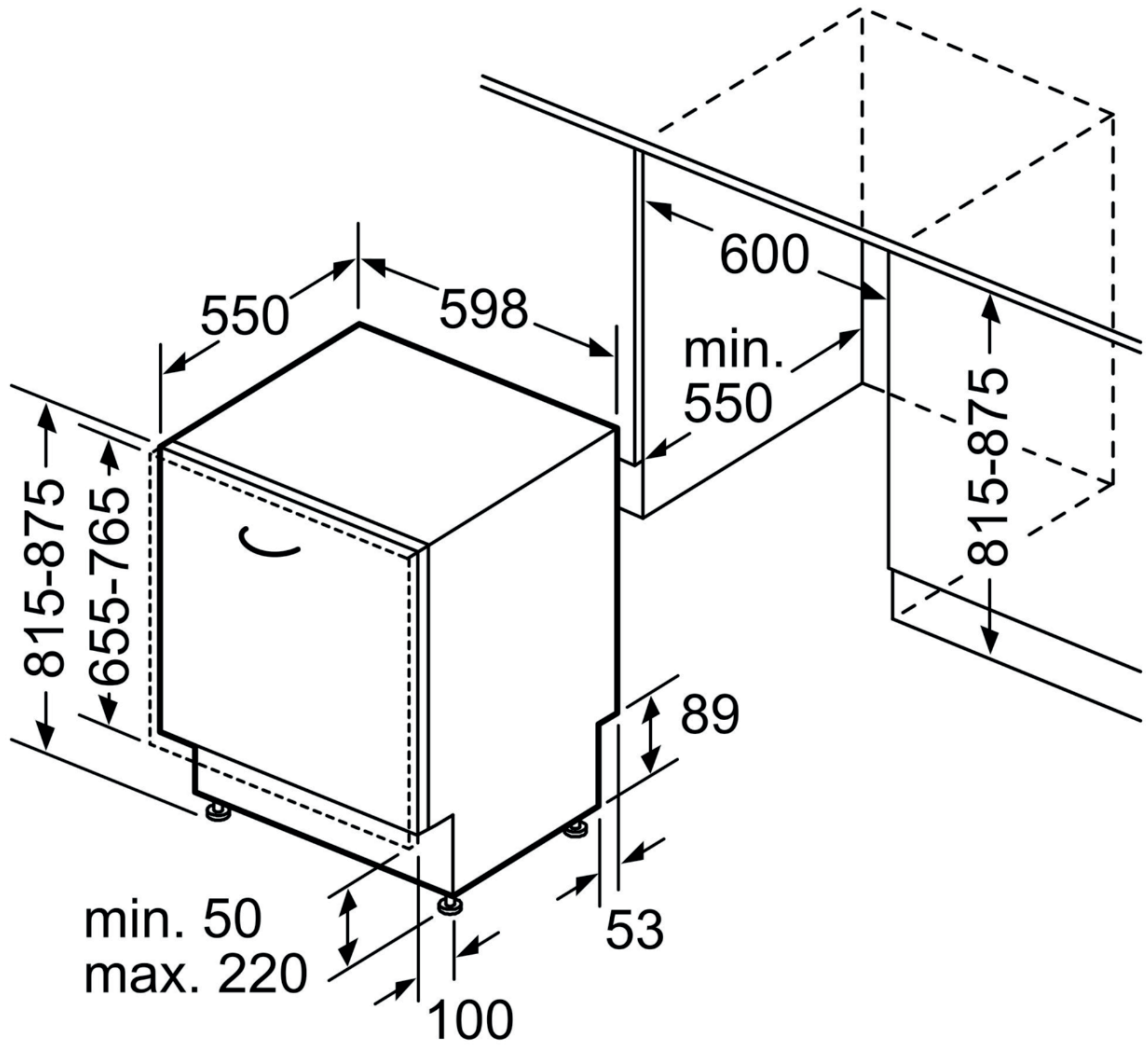
Z7710X0	
Z780BI01	
Z7860X3	
Z7863X0	Cutlery basket
Z7863X1	Rack insert for stemware dishwasher
Z7865X1EU	
Z7870X0	Accessories dishwasher
Z7871X0	Silver polishing cassette
Z788BI00	

#### Features

##### Technical Data

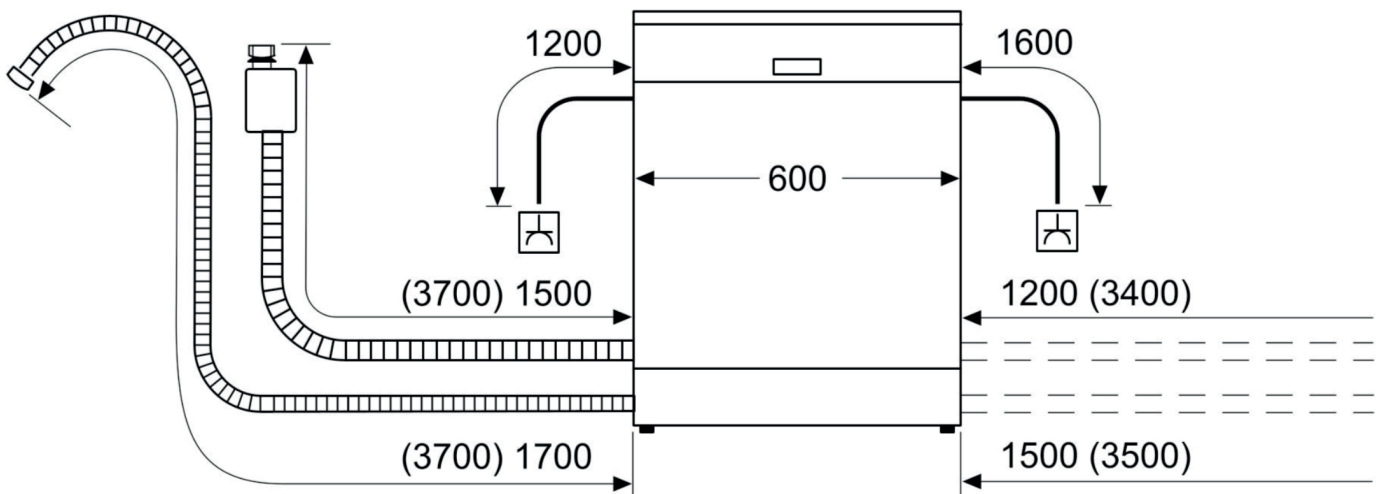
Energy Efficiency Class (Regulation (EU) 2017/1369) : B  
 Energy Consumption for 100 cycles Eco Programme (EU 2017/1369) : 65 kWh  
 Maximum number of place settings (EU 2017/1369) : 14  
 The water consumption of the eco programme in liters per cycle (EU 2017/1369) : 9.0 l  
 Programme duration (EU 2017/1369) : 3:35 h  
 Airborne acoustical noise emissions (EU 2017/1369) : 40 dB(A) re 1 pW  
 Airborne acoustical noise emission class (EU 2017/1369) : B  
 Cleaning performance : A  
 Water consumption : 9.0 l  
 Total annual water consumption 220 days : 1980 l  
 Built-in / Free-standing : Built-in  
 Removable top : No  
 Door panel options : Not possible  
 Height of removable worktop : 0 mm  
 Height of the appliance : 815 mm  
 Adjustable feet : Yes - all from front  
 Maximum adjustability feet : 60 mm  
 Adjustable plinth : Both horizontal and vertical  
 Net weight : 46.7 kg  
 Gross weight : 48.5 kg  
 Connection Rating : 2400 W  
 Fuse protection : 10 A  
 Voltage : 220-240 V  
 Frequency : 50; 60 Hz  
 Length electrical supply cord : 175.0 cm  
 Plug type : GARDY plug w/ earthing  
 Length inlet hose : 165 cm  
 Length outlet hose : 190 cm  
 Hidden heating element : Yes  
 Water protection system description : Triple water protection 24h  
 Child safety devices : No  
 Water softener : Yes  
 Top basket type : R2  
 Adjustable upper basket : Rackmatic 3-stage  
 Bottom basket type : R2  
 3rd Rack : VarioDrawer  
 Optional accessories : Z7710X0, Z780BI01, Z7860X3, Z7863X0, Z7863X1, Z7865X1EU, Z7870X0, Z7871X0, Z788BI00  
 Included accessories 2 : steam protection  
 Number of place settings : 14  
 Dimensions of the product (HxWxD) : 815 x 598 x 550 mm  
 Dimensions of the packed product (HxWxD) : 870 x 660 x 670 mm





measurements in mm

measurements in mm



⌚ socket

( ) values with extension kit