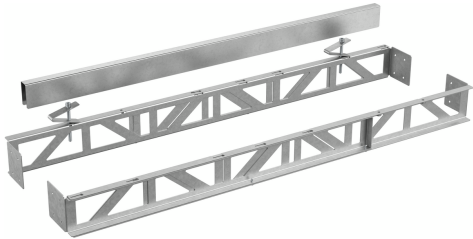


INSTALLATION ACCESSORY
Z92WWY8X2



√ Consisting of a two-part, extendable base frame and a connecting strip for a seamless installation of Glassdraft and a matching design Hob. Allows two appliances to be installed in one worktop cut-out.

Features

Technical Data

Dimensions of the packed product (HxWxD): 108 x 387 x 1185 mm
Pallet dimensions: 160.0 x 80.0 x 120.0
Standard number of units per pallet: 26
Net weight: 1.1 kg
Gross weight: 4.7 kg
EAN code: 4242004255215



4 242004 255215

INSTALLATION ACCESSORY Z92WWY8X2

Features

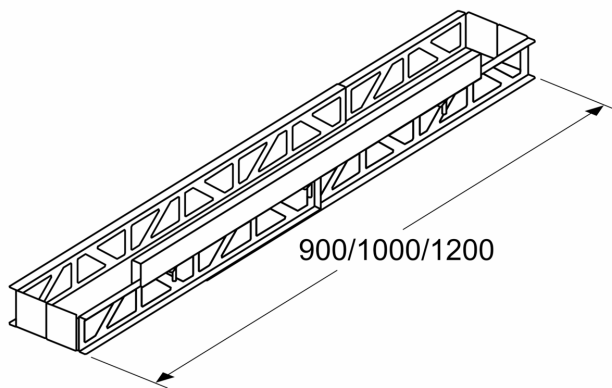
Optional accessories

- Consisting of a two-part, extendable base frame and a connecting strip for a seamless installation of Glasdraft and a matching design Hob. Allows two appliances to be installed in one worktop cut-out.

INSTALLATION ACCESSORY
Z92WWY8X2

Dimensioned drawings

measurements in mm



measurements in mm

