

**Series 6, French Door Bottom  
freezer, multi door, 183 x 90.5 cm,  
Stainless steel (with anti-fingerprint)  
KFD96APEA**



- **VitaFresh XXL:** keeps food fresh for longer in extra-large climate controlled drawers at near  $<0^{\circ}\text{C}>$ .
- **Ice and Water Dispenser with Tap Connection:** Dispense water and ice.
- **XXL capacity:** extra space for your food when you need it.
- **LED lighting:** keep your groceries in perfect view.
- **BigBox frozen food drawer:** for stacking storage containers or for large frozen food items.

Energy Efficiency Class (Regulation (EU) 2017/1369):	..... E
Average annual energy consumption in kilowatt hour per year (kWh/a) (EU) 2017/1369:	.....327 kWh/annum
Sum of volume of frozen compartments (EU 2017/1369):	..... 199 l
Sum of volume of chill- and unfrozen compartments (EU 2017/1369):	..... 375 l
Airborne acoustical noise emissions (EU 2017/1369):	..39 dB(A) re 1 pW
Airborne acoustical noise emission class (EU 2017/1369):	..... C
Built-in / Free-standing:	.....Free-standing
Number of compressors:	..... 1
Number of independent cooling systems:	..... 1
Width of the appliance:	..... 905 mm
Height:	..... 1830 mm
Depth of the product:	..... 731 mm
Net weight:	..... 138.5 kg
Door panel options:	..... Not possible
Door hinge:	.....left and right
Number of Adjustable Shelves in fridge compartment:	..... 4
Shelves for Bottles:	..... Yes
Frost free system:	..... Freezer
Interior ventilator:	..... Yes
Reversible Door Hinge:	.....No
Length electrical supply cord:	..... 240.0 cm
Noise level:	.....39 dB(A) re 1 pW
Multi-Flow Air Tower:	..... Yes
Fast cooling switch:	.....Yes
Fast freezing switch:	.....Yes
Temperature Controlled Drawer:	.....No
Humidity Control Drawer:	.....No
Number of Door Bins - Refrigerator:	.....4
Door bin adjustability - Refrigerator:	..... Yes
Tilt-out door bins in fridge:	.....Yes
Gallon wide door bins:	..... Yes
Number of Gallon storage:	..... 1
Motorized Shelf:	.....No
Material of the shelves:	..... Safety glass
Door opened indicator freezer:	.....Yes
Automatic motor-driven ice-maker:	.....Yes
Fuse protection:	..... 10 A
Voltage:	..... 220-240 V
Frequency:	..... 50-60 Hz
Storage Period in Event of Power Failure (h):	..... 15 h
Door panel options:	..... Not possible
Noise level:	.....39 dB(A) re 1 pW
Energy Star Qualified:	.....No
Plug type:	..... GARDY plug w/ earthing
Required cutout/niche size for installation (in):	.....x
Dimensions of the packed product:	..... 74.99 x 39.29 x 30.23
Net weight:	.....305.000 lbs
Gross weight:	..... 331.000 lbs



## Series 6, French Door Bottom freezer, multi door, 183 x 90.5 cm, Stainless steel (with anti-fingerprint) KFD96APEA

- NoFrost, Free-standing-refrigerator >= 3 door
- inox EasyClean Doors

### Performance and consumption

- EU19\_EEK\_D: E
- Total Volume : 574 l
- Annual Energy Consumption: 327 kWh/a
- Noise Level : 39 dB

### Design and Styling

- Doors inox EasyClean, side panels inox colored
- Integr. handle hori. and vert.
- LED interior light

### Convenience & Safety

- NoFrost - never again defrosting!
- 7 segment electronic control
- Home Connect Home Connect enabled via WLAN
- Remote Monitoring and Control, iService Remote
- Separate temperature control for cooling and freezing section
- Super Cooling: automatic deactivation
- Super Freezing: Yes (obsolete)
- acoustic for Fridge and Freeze, Optical warning system Door open
- Acoustic Warning System
- Automatic defrost in fridge section
- Holiday mode
- Acoustic Warning System, Warning System by temperature increase

### Ice and Water

- Illuminated water and ice / crushed ice dispenser
- Automatic ice cube maker
- Waterfilter inside

### Fridge Compartment

- Net Fridge Volume : 375 l
- Multi Airflow-System
- 5 safety glass shelves of which 4 are height adjustable
- 1 door trays

### Freshness System

- 1 VitaFresh drawer on rails with humidity control - Fruits and vegetables retain vitamins and stay fresh for longer.
- , 1 VitaFresh 0°C drawer - Fish and meat stay fresh for longer

### Freezer Section

- Net Freezer Volume : 199 l
- Freezing capacity 24h : 16 kg
- 6 transparent freezer drawers
- yes

### Technical Information

- Appliance on 4 wheels, feet adjustable
- Climate Class: SN-T
- Nominal voltage: 220 - 240 V

### Dimensions

- Dimensions ( H x W x D): 183.0 cm x 90.5 cm x 73.1 cm

### Accessories

#### Special Accessories

#### Country Specific Options

- Based on the results of the standard 24-hour test. Actual consumption depends on usage/position of the appliance.

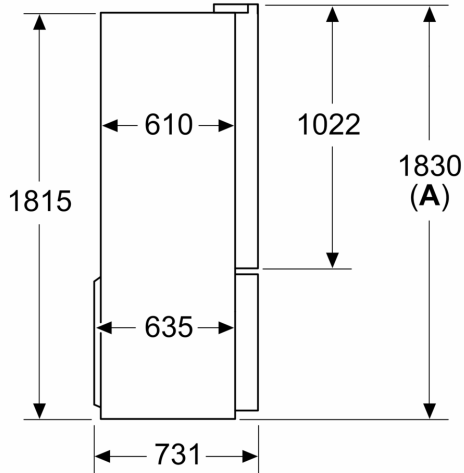
### Environment and Safety

### Installation

### General Information

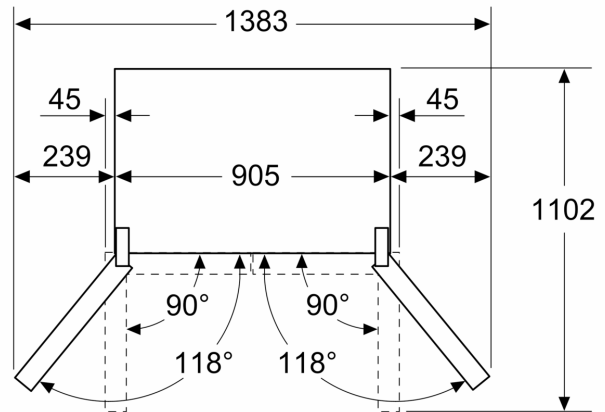
**Series 6, French Door Bottom  
freezer, multi door, 183 x 90.5 cm,  
Stainless steel (with anti-fingerprint)  
KFD96APEA**

Measurements in mm

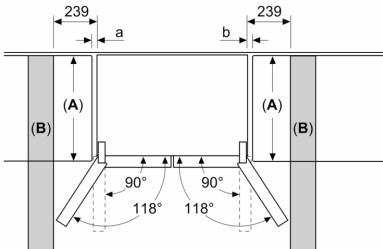


**A:** Front is adjustable 1830–1847 mm, with front levelling feet fully extended

Measurements in mm



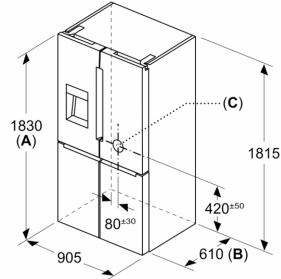
Measurements in mm



A	a	b
≤ 600	0	0
600 < A ≤ 650	45	45
650 < A ≤ 700	60	60
> 700	239	239

**A:** Kitchen cabinet or worktop depth  
**B:** Wall  
Drawers can be pulled and taken out with door open to 90°

Measurements in mm



**A:** Front is adjustable 1830–1847 mm, with front levelling feet fully extended  
**B:** Add 25 mm for fixed spacers on back  
**C:** Water connection position