

**Series 4,  
HEADER2.Glassdoor\_MultiDoor,  
189.5 x 85.5 cm, Graphite  
KMC85LEEA**



- **VitaFresh:** keeps food fresh for longer in climate controlled drawers at near <math>0^{\circ}\text{C}>.
- **LED lighting:** keep your groceries in perfect view.
- **Super Cooling function:** cools new food placed inside faster, thus protecting already cooled food.
- **Intelligent Inverter Technology ensures a stable temperature control and efficient performance.**
- **NoFrost: never defrost again, thanks to perfect protection from ice formation - that saves time and effort.**

Energy Efficiency Class (Regulation (EU) 2017/1369):	..... E
Average annual energy consumption in kilowatt hour per year (kWh/a) (EU) 2017/1369:	.....322 kWh/annum
Sum of volume of frozen compartments (EU 2017/1369):	..... 223 l
Sum of volume of chill- and unfrozen compartments (EU 2017/1369):	..... 324 l
Airborne acoustical noise emissions (EU 2017/1369):	.....38 dB(A) re 1 pW
Airborne acoustical noise emission class (EU 2017/1369):	..... C
Built-in / Free-standing:	.....Free-standing
Number of compressors:	..... 1
Number of independent cooling systems:	..... 1
Width of the appliance:	..... 855 mm
Height:	..... 1895 mm
Depth of the product:	..... 666 mm
Net weight:	..... 115.3 kg
Door panel options:	..... Not possible
Door hinge:	.....left and right
Shelves for Bottles:	..... No
Frost free system:	..... Freezer
Interior ventilator:	..... Yes
Reversible Door Hinge:	..... No
Length electrical supply cord:	..... 240.0 cm
Noise level:	.....38 dB(A) re 1 pW
Multi-Flow Air Tower:	..... Yes
Fast cooling switch:	.....Yes
Fast freezing switch:	.....Yes
Temperature Controlled Drawer:	.....No
Humidity Control Drawer:	.....No
Number of Door Bins - Refrigerator:	.....4
Door bin adjustability - Refrigerator:	..... Yes
Tilt-out door bins in fridge:	.....No
Gallon wide door bins:	..... Yes
Number of Gallon storage:	..... 2
Motorized Shelf:	..... No
Material of the shelves:	..... Glas, Safety glass
Door opened indicator freezer:	.....Yes
Automatic motor-driven ice-maker:	..... No
Fuse protection:	..... 10 A
Voltage:	..... 200-240 V
Frequency:	..... 50-60 Hz
Storage Period in Event of Power Failure (h):	..... 13 h
Door panel options:	..... Not possible
Noise level:	.....38 dB(A) re 1 pW
Energy Star Qualified:	.....No
Plug type:	..... Gardy plug w/ earthing
Required cutout/niche size for installation (in):	.....X
Dimensions of the packed product:	..... 79.37 x 36.41 x 28.70
Net weight:	..... 254.000 lbs
Gross weight:	..... 278.000 lbs



## **Series 4, HEADER2.Glassdoor\_MultiDoor, 189.5 x 85.5 cm, Graphite KMC85LEEA**

---

- NoFrost, Free-standing-refrigerator >= 3 door
- Metallic grey Doors

### **Performance and consumption**

- EU19\_EEK\_D: E
- Total Volume : 547 l
- Annual Energy Consumption: 322 kWh/a
- Noise Level : 38 dB

### **Design and Styling**

- Doors Metallic grey, side panels cast iron
- Integrated horizontal handle
- LED interior light

### **Convenience & Safety**

- NoFrost - never again defrosting!
- 7 segment electronic control
- Separate temperature control for cooling and freezing section
- Super Cooling: automatic deactivation
- Super Freezing: manual activation
- acoustic for Fridge and Freeze, Optical warning system Door open

### **Fridge Compartment**

- Net Fridge Volume : 324 l
- Multi Airflow-System
- 2 door trays

### **Freshness System**

- 1 VitaFresh drawer with humidity control - Fruits and vegetables retain vitamins and stay fresh for longer.
- , 1 VitaFresh 0°C drawer - Fish and meat stay fresh for longer

### **Freezer Section**

- Net Freezer Volume : 223 l
- Freezing capacity 24h : 15 kg
- 8 transparent freezer drawers
- yes

### **Technical Information**

- Appliance on 4 wheels, feet adjustable
- Climate Class: SN-T
- Nominal voltage: 200 - 240 V

### **Dimensions**

- Dimensions ( H x W x D): 189.5 cm x 85.5 cm x 66.6 cm

### **Accessories**

### **Special Accessories**

### **Country Specific Options**

- Based on the results of the standard 24-hour test. Actual consumption depends on usage/position of the appliance.

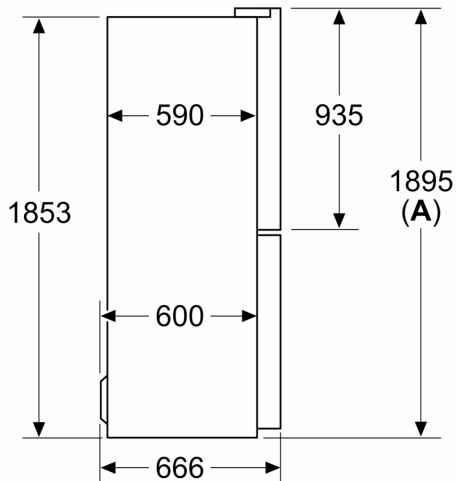
### **Environment and Safety**

### **Installation**

### **General Information**

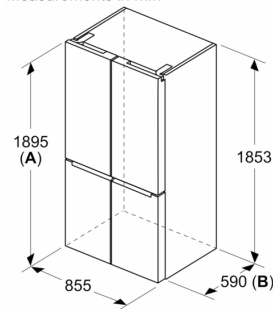
**Series 4,  
HEADER2.Glassdoor\_MultiDoor,  
189.5 x 85.5 cm, Graphite  
KMC85LEEA**

Measurements in mm



**A:** Front is adjustable 1895–1910 mm, with front levelling feet fully extended

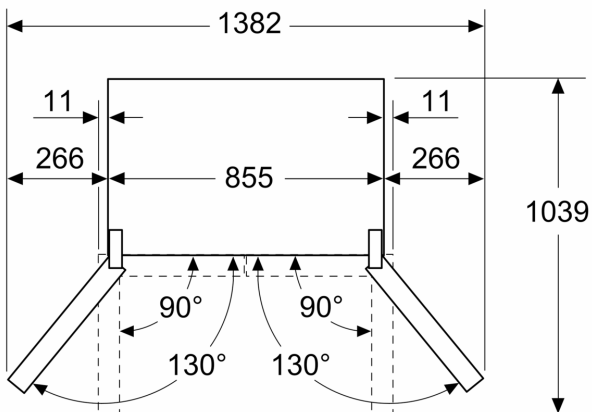
Measurements in mm



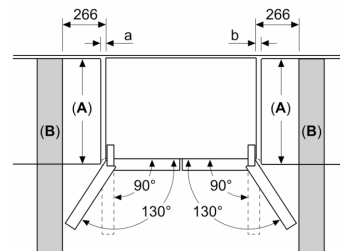
**A:** Front is adjustable 1895–1910 mm, with front levelling feet fully extended

**B:** Add 10 mm for fixed spacers on back

Measurements in mm



Measurements in mm



A	a	b
≤ 600	20	20
600 < A ≤ 650	36	36
650 < A ≤ 700	78	78
> 700	266	266

**A:** Kitchen cabinet or worktop depth

**B:** Wall  
Drawers can be pulled and taken out with door open to 90°