

**Series 4, washing machine,
frontloader fullsize, 9 kg, 1400 rpm
WAN28259GB**



- WMZ2200 Floor securing component
- WMZ2381 Extension for cold water inlet /Aquastop
- WMZPW20W Platform with pull-out, washer, cubic

- **Active Water Plus:** For highly efficient use of water even with smaller loads thanks to automatic load detection.
- **SpeedPerfect:** perfectly clean in up to 65% less time.
- **Reload function:** forgot an item? Add it easily to the wash.
- **EcoSilence Drive™:** extremely energy-efficient and quiet in operation with a 10-year warranty.
- **Vario Drum:** gently and efficiently wash with even water distribution and without creasing garments.

Built-in / Free-standing:	Free-standing
Door hinge:	Left
Color / Material body:	White
Length electrical supply cord:	210.0 cm
Height of the appliance:	845 mm
Dimensions of the product:	845 x 598 x 590 mm
Wheels:	No
Net weight:	70.3 kg
Drum volume:	65 l
Door Frame:	Silver-white
Connection rating:	2300 W
Fuse protection:	10 A
Voltage:	220-240 V
Frequency:	50 Hz
Energy Star Qualified:	No
Cord included:	Yes
Plug type:	GB plug
Length of supply hose (in):	59.05 "
Dimensions of the packed product:	35.43 x 25.59 x 25.59
Net weight:	155.000 lbs
Gross weight:	157.000 lbs
Length of drain hose:	150.00 cm
Length of supply hose:	150.00 cm
Dimensions of the packed product (HxWxD):	900 x 650 x 650 mm
Gross weight:	71.3 kg
Connection rating:	2300 W
Fuse protection:	10 A
Voltage:	220-240 V
Frequency:	50 Hz
Water protection system:	Multiple water protection
Maximum spin speed:	1400 rpm
Spin speed options:	Variable
Digital countdown indicator:	Yes
Energy Efficiency Class (Regulation (EU) 2017/1369):	A
Weighted energy consumption in kWh per 100 washing cycles of eco 40-60 programme (EU 2017/1369):	49 kWh
Maximum capacity in kg (EU 2017/1369):	9.0 kg
The water consumption of the eco programme in liters per cycle (EU 2017/1369):	50 l
Duration of eco 40-60 programme in hours and mins at rated capacity (EU 2017/1369):	3:48 h
Spin-drying efficiency class of eco 40-60 programme (EU 2017/1369):	B
Airborne acoustical noise emission class (EU 2017/1369):	A
Airborne acoustical noise emissions (EU 2017/1369):72 dB(A) re 1 pW



Series 4, washing machine, frontloader fullsize, 9 kg, 1400 rpm WAN28259GB

engine power and consumption

- Energy Efficiency Class¹: A
- Energy² / Water³: 49 kWh / 50 litres
- Load capacity: 1 - 9 kg
- Programme duration⁴: 3:48 h:min
- Spin drying efficiency class: B
- Spin power / spin speed^{**}: 0 - 1400 U/min
- Noise level: 72 dB (A) re 1 pW
- Noise efficiency class: A

Programmes

- standard programmes: cottons, easy care, delicate/silk, wool / hand wash
- Special programmes: Drum Clean (with reminder), Easy Ironing Steam Assisted, shirts/blouses, Hygiene, Jeans / Dark wash, outdoor, Spin / Drain, Family Mix, single rinse, Quick 15'/30', delicate/silk, wool / hand wash

options

- SpeedPerfect: perfectly clean in up to 65% less time. ***
- TouchControl buttons: end time delay, night wash, start/pause with reload function, Temperature, SpeedPerfect, Prewash, Spin speed selection/Rinse hold

comfort and safety

- Reload function: Be flexible in adding laundry items even after start of the wash cycle.
- Drum volume: 65 l
- Multiple water protection
- Fully electronic control dial for all wash- and special programs
- AntiVibration Design: more stability and quietness
- EcoSilence Drive: quiet motor with long lifetime
- 10 years guaranty on EcoSilence Drive
- ActiveWater Plus: for highly efficient use of water even with small loads thanks to automatic load detection.
- Foam detection system to remove excessive foam
- Unbalanced load detection
- buzzer at end of program
- Child-proof lock
- Divider for Liquid Detergent
- 32 cm porthole, silver-white with 171° opening door
- Metal door closing hook
- comfort lock

Technical Information

- Slide-under height of 85cm
- Dimensions (H x W): 84.5 cm x 59.8 cm
- Appliance depth: 59.0 cm
- Appliance depth incl. door: 63.3 cm
- Appliance depth with open door: 106.3 cm

¹ Scale of Energy Efficiency Classes from A to G

² Energy consumption in kWh per 100 cycles (in programme Eco 40-60)

³ Weighted water consumption in litres per cycle (in programme Eco

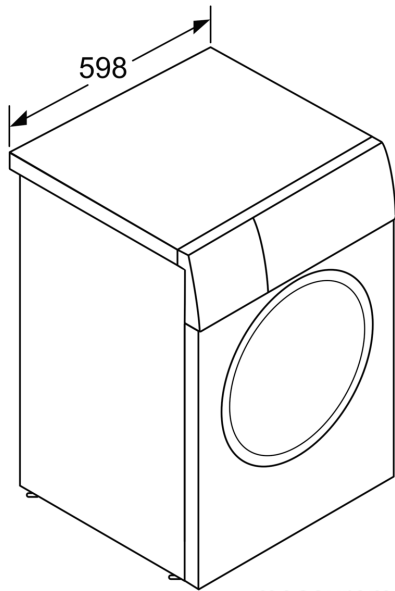
40-60)

⁴ Duration of programme Eco 40-60

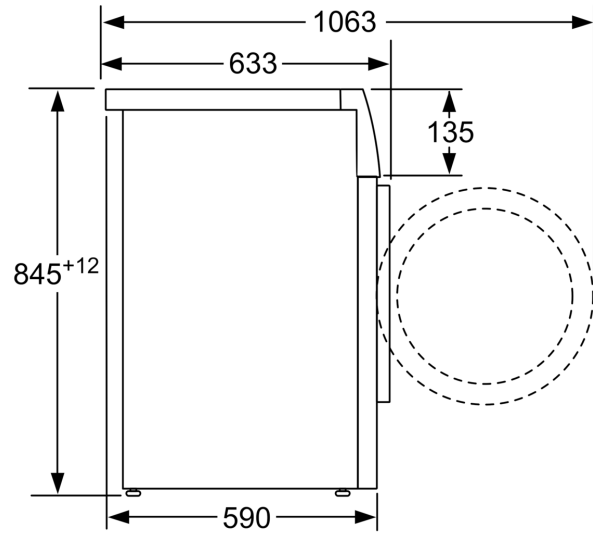
^{**} Values are rounded.

^{***} Comparison between the program duration of Easy-care 40°C and the program duration of Easy-care 40°C + activated Speed option

**Series 4, washing machine,
frontloader fullsize, 9 kg, 1400 rpm
WAN28259GB**



measurements in mm



measurements in mm