

**Series 6, Built-In Microwave, 59 x 38 cm, Black  
BEL554MB0**



**Included accessories**

1 x grid  
1 x Turntable

**The built-in microwave for the 38 cm niche:  
use it for extra fast thawing, heating and  
perfect preparation of foods.**

- **AutoPilot 8:** every dish is a perfect success thanks to 8 pre-set automatic programmes.
- **LED-display control, white:** easy-to-use thanks to direct access to additional functions.
- **Pop-out controls:** Make the front of the oven easy to clean and give it a sleek look.
- **Stainless steel interior:** easy to clean interior thanks to smooth surfaces and no sharp edges.
- **Cleaning Assistance:** less cleaning effort thanks to the new cleaning option, which can be especially used for cleaning of light soiling.

**Technical Data**

Type of micro-wave oven : MW+Grill function  
Type of control : Electronic  
Dimensions : 382 x 594 x 388 mm  
Cavity dimensions : 208.0 x 328.0 x 369.0 mm  
Length electrical supply cord : 130.0 cm  
Net weight : 18.3 kg  
Gross weight : 22.1 kg  
EAN code : 4242005039067  
Maximum micro-wave power : 900 W  
Connection Rating : 1450 W  
Fuse protection : 10 A  
Voltage : 220-230 V  
Frequency : 50 Hz  
Plug type : Gardy plug w/ earthing  
Cavity dimensions : 208.0 x 328.0 x 369.0 mm  
Included accessories : 1 x grid, 1 x Turntable



4 242005 039067

**Series 6, Built-In Microwave, 59 x 38 cm,  
Black  
BEL554MB0**

**The built-in microwave for the 38 cm niche:  
use it for extra fast thawing, heating and  
perfect preparation of foods.**

**Dimensions:**

- Appliance dimension (HxWxD): 382 mm x 594 mm x 388 mm
- Niche dimension (HxWxD): 380 mm - 382 mm x 560 mm - 568 mm x 550 mm
- "Please reference the built-in dimensions provided in the installation drawing"

**Microwave and heating mode:**

- Max. Power: 900 W; 5 Microwave power settings: 90 W, 180 W, 360 W, 600 W, boost
- Grill 1.2 KW
- Grill and microwave power levels 90 W, 180 W, 360 W combinable
- Microwave and grill for separate use
- Cavity volume: 25 l

**Design:**

- stainless steel cavity

**Cleaning:**

- Cleaning Assistance (manually)

**Comfort:**

- LED display control
- electronic clock
- Rotary Control, Pop-out controls, Touch control
- User-friendly electronics: extremely easy and comfortable operation
- AutoPilot 8
- 4 defrost and 3 cooking programmes in microwave function, 1 programmes for combination function
- Memory for individual programmes (1 setting)
- LED light
- 31.5 cm glass turntable
- side opening door, hinge left
- Electronic door opener
- Touch key operation

**Accessory:**

- 1 x Turntable, 1 x grid

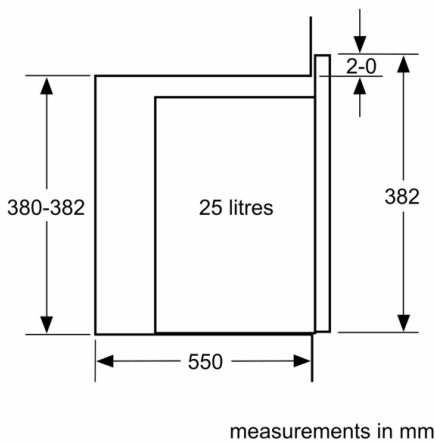
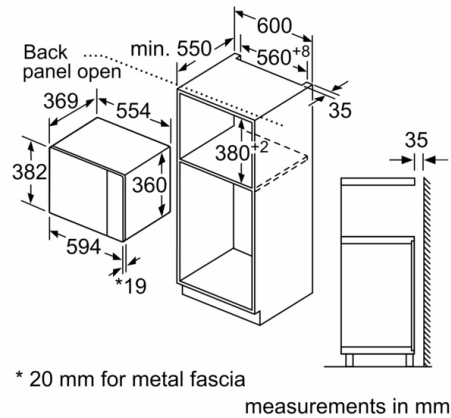
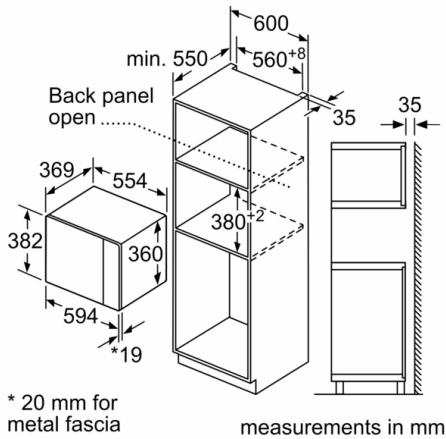
**Environment and Safety:**

- Door contact switch
- Integral cooling fan

**Technical Information**

- Length of mains cable: 130 cm
- Total connected load electric: 1.45 KW
- Nominal voltage: 220 - 230 V
- suitable for high cupboard installation

**Series 6, Built-In Microwave, 59 x 38 cm,  
Black  
BEL554MB0**



Microwave,  
corner installation

