

**Series 4, built-in freezer, 177.2 x 55.8 cm, flat hinge
GIN81VEEO**



1 x ice cube tray

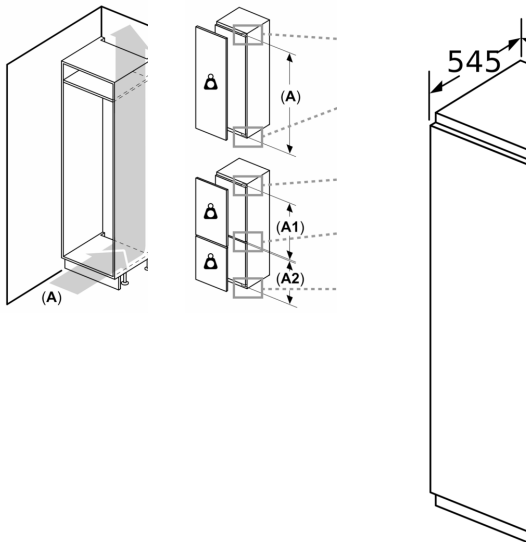
KSZB0S00 Heavy-duty hinge support

- **VarioZone:** more flexibility due to variable-use glass shelves and drawers in the freezer compartment.
- **NoFrost:** never defrost again, thanks to perfect protection from ice formation - that saves time and effort.
- **BigBox frozen food drawer:** for stacking storage containers or for large frozen food items.
- **Intelligent Inverter Technology ensures a stable temperature control and efficient performance.**

Energy Efficiency Class (Regulation (EU) 2017/1369):	E
Average annual energy consumption in kilowatt hour per year (kWh/a) (EU) 2017/1369:	235 kWh/annum
Sum of volume of frozen compartments (EU 2017/1369):	212 l
Airborne acoustical noise emissions (EU 2017/1369):35 dB(A) re 1 pW
Airborne acoustical noise emission class (EU 2017/1369):	B
Product category:	Upright freezer
Built-in / Free-standing:	Built-in
Frost free system:	Fridge and freezer
Climate class:	SN-T
Door panel options:	Not possible
Width of the appliance:	558 mm
Depth of the product:	545 mm
Dimensions of the packed product (HxWxD): ...	1840 x 610 x 640 mm
Warning signal / malfunction:	Both visual and audible
Defrost process:	Automatic
Cover door installation system:	Fixed-mounted
Number of drawers/baskets (Stck):	5
Number of freezing flaps (Stck):	2
Lockable door:	No
Thermometer freeze section:	Digital
Light:	No
Length electrical supply cord:	230.0 cm
Door hinge:	Left reversible
Net weight:	63.9 kg
Gross weight:	68.6 kg
Multi-Flow Air Tower:	No
Number of compressors:	1
Number of independent cooling systems:	1
Economy setting:	No
Fast freezing switch:	Yes
Door bin adjustability - Freezer:	No
Tilt-out door bins in freezer:	No
Number of shelves - Freezer:	0
Door bin adjustability - Freezer:	No
Shelf Material - Freezer:	Safety glass
Reversible Door Hinge:	Yes
Fuse protection:	10 A
Frequency:	50 Hz
Door panel options:	Not possible
Installation typology:	Integrated
Noise level:	36 dB(A) re 1 pW
Energy Star Qualified:	No
Plug type:	Gardy plug w/ earthing
Required cutout/niche size for installation (in):	72.44 x 24.01 x 25.19
Dimensions of the packed product:	72.44 x 24.01 x 25.19
Net weight:	141.000 lbs
Gross weight:	151.000 lbs
Included accessories:	1 x ice cube tray

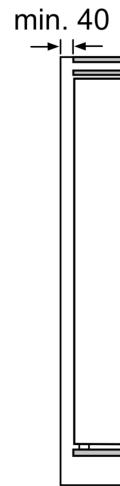


**Series 4, built-in freezer, 177.2 x 55.8 cm, flat hinge
GIN81VEE0**



Air outlet
min. 200

Ventilatio
space
in the bas
min. 200

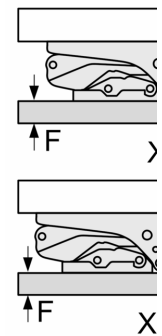


Maximal per

measurem
Recommen

Fitted kitchen
weight may c
impairment c

T: Includes I
of appliance
Hinges in m
1500-1



The gap di
in the table
to ensure th
collide with
and to avoi