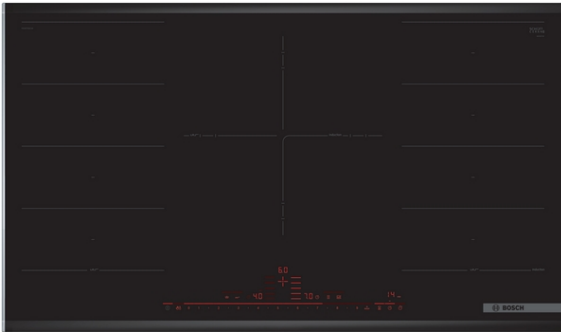


**Series 8, Flex induction hob, 90 cm,  
Black, surface mount with frame  
PXV975DC1E**



**Optional accessories**

HEZ390011 Stainless Steel roaster with glas lid, HEZ390012 Steaming Rack for Stainless Steel roaste, HEZ390090 Wok Set consisting of 3 Items, HEZ390210 System pan diameter 15 cm, HEZ390220 System pan diameter 19 cm, HEZ390230 System pan diameter 21cm, HEZ390522 Griddle Plate, HEZ394301 Connecting strip, HEZ9ES100 Espresso maker 4 cups, HEZ9FF040 Flex Pan set, 4 pcs., HEZ9SE040 4 pieces Set, HEZ9SE060 6 pieces Set, HEZ9TY010 Teppan Yaki

**The FlexInduction® hob: you can place multiple pots and pans or large cookware anywhere on the flexible cooking zone.**

- **DirectSelect Premium:** direct, simple selection of the desired cooking zone, power and additional functions.
- **FlexInduction:** more flexibility on your hob for large pots and pans.
- **32 cm threefold cooking zone:** expandable cooking zone for small and large pots and pans.
- **PerfectFry:** no more worries about scorching.
- **Comfort Profile:** elegant, appealing design with bevelled front and metal strips on the side.

**Technical Data**

Product name/family : Cooking zone ceramic  
 Built-in / Free-standing : Built-in  
 Energy input : Electric  
 Total number of positions that can be used at the same time : 5  
 Min. required niche size for installation (HxWxD) : 51 x 880-880 x 490-500 mm  
 Width of the appliance : 916 mm  
 Dimensions : 51 x 916 x 527 mm  
 Dimensions of the packed product (HxWxD) : 126 x 1073 x 603 mm  
 Net weight : 20.0 kg  
 Gross weight : 23.8 kg  
 Residual heat indicator : yes  
 Location of control panel : Front  
 Basic surface material : Ceramic  
 Color of surface : Alu, brushed, Black  
 Length electrical supply cord : 110.0 cm  
 EAN code : 4242002849300  
 Voltage : 220-240 V  
 Frequency : 60; 50 Hz



## Series 8, Flex induction hob, 90 cm, Black, surface mount with frame PXV975DC1E

### The FlexInduction® hob: you can place multiple pots and pans or large cookware anywhere on the flexible cooking zone.

- 90 cm: space for 5 pots

#### Flexibility of cooking zones

- 2 Flex Zones: use cookware of any shape or size anywhere within the 40cm long zone.
- Triple ring zone: use regular up to extra large cookware (e.g. paella pans) on the expandable cooking zone.
- Cooking zone front left: 230 mm, 200 mm, 2.2 KW (max. power 3.7 KW)
- Cooking zone rear left: 230 mm, 200 mm, 2.2 KW (max. power 3.7 KW)
- Cooking zone rear middle: 320 mm, 260 mm, 210 mm, 2.2 KW (max. power 3.7 KW)
- Cooking zone rear right: 230 mm, 200 mm, 2.2 KW (max. power 3.7 KW)
- Cooking zone front right: 230 mm, 200 mm, 2.2 KW (max. power 3.7 KW)

#### Usage convenience

- DirectSelect Premium touch control: directly control the power on the extra large illuminated touch bar (invisible when switched off).
- 17 power levels: precisely adapt the heat with 17 power levels (9 main levels and 8 intermediate levels).
- Keep warm function for all cooking zones: keep dishes warm at preset low power level.
- Switch off timer for every cooking zone : switches off the cooking zone at the end of the time set (e.g. for boiled eggs).
- Count-down timer : an alarm sounds at the end of the time set (e.g. for pasta).
- Count-up timer : shows how much time has passed since starting the timer (e.g. for potatoes).

#### Time saving & efficiency

- Power Boost for all zones : boil water more quickly thanks to 50% more energy than at the highest standard level.
- Pan Boost: heat up pans more quickly than at the highest standard level while protecting the pan coating.
- Move Mode (3 levels): increase or decrease the power level simply by moving the pot forwards or backwards.
- QuickStart Function: when switching on, the hob automatically selects the cooking zone with cookware (placed in off-mode).
- Restart Function: in case of unintentional switch-off, restore all previous settings by switching on the hob again within 4 seconds.

#### Cooking assistance

- PerfectFry sensor with 5 temperature settings: prevents scorching with the automatic temperature regulation of the integrated sensor.

#### Design

- Comfort Profile: finely bevelled glass in the front and back and metal trims applied on the sides and front.

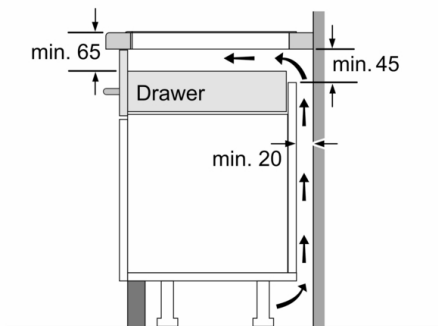
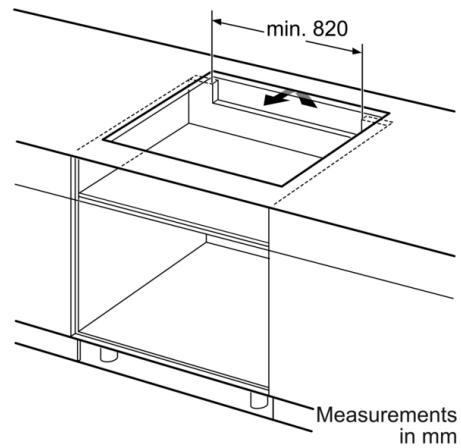
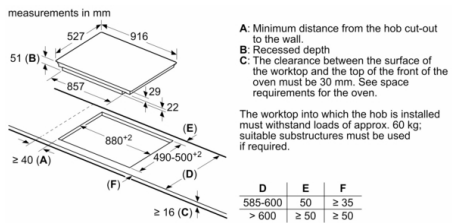
#### Safety

- Residual heat indicator (2 stage): indicates which cooking zones are still hot or warm.
- Childproof lock: prevent unintended activation of the hob.
- Wipe protection function: wipe overboiled liquids without unintentionally changing settings (blocking all touch buttons for 30 seconds).
- Main Switch: switch off all cooking zones at the touch of a button.
- Safety switch-off: for safety reasons, heating stops after a preset time without interaction.
- Energy consumption display: shows the electricity consumption of the last cooking process.

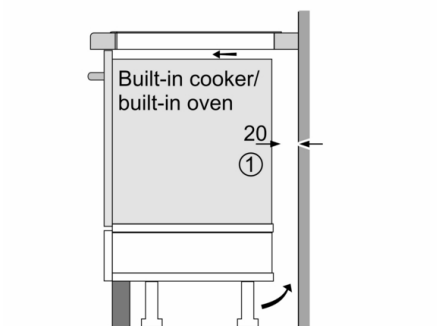
#### Installation

- Dimensions of the product (HxWxD mm): 51 x 916 x 527
- Required niche size for installation (HxWxD mm) : 51 x 880 x (490 - 500)
- Min. worktop thickness: 16 mm
- Connected load: 11100 W
- PowerManagement Function: limit the maximum power if needed (depends on fuse protection of electric installation).
- Power cord: 1.1 m without plug, loose insert in packaging (electrical connection by electrician necessary)

## Series 8, Flex induction hob, 90 cm, Black, surface mount with frame PXV975DC1E



Measurements in mm



① Ventilation gap must be present.

Measurements in mm