

**Series 4, fully-integrated dishwasher,
60 cm, Variable hinge for special
installation situations
SMH4ECX10E**



- SMZ1051EU Mains cable with EU-Plug 5m
- SMZ2014 Rack insert for stemware dishwasher
- SMZ5000 Dishwashing aid set
- SMZ5035 Decor conversion kit, stainless steel
- SMZ5100 Vario-cutlery basket
- SMZ5300 GlassSecure Tray
- SGZ0BI01 decorative strips stainless steel 81,5cm
- SGZ0IC00 Small Item Clip for upper rack
- SGZ1010 inlet and outlet hose extension
- SGZ8BI00 Connection rail for divided furniture

**Better drying performance even for built
in kitchens with a high installation.**

- **EfficientDry:** improved drying performance by automatic door opening.
- **Silence Plus:** remarkably quiet at 42dB.
- **The extra-quiet way to clean and dry dishes.**
- **Home Connect:** home appliances with smart connectivity for an easier everyday life.
- **A perfect design match thanks to Vario Hinge. Leaving no gaps even in kitchens with low plinth heights and high built in solutions.**

Energy Efficiency Class (Regulation (EU) 2017/1369): C
Energy Consumption for 100 cycles Eco Programme (EU 2017/1369):75 kWh
Maximum number of place settings (EU 2017/1369): 14
The water consumption of the eco programme in liters per cycle (EU 2017/1369):9.0 l
Programme duration (EU 2017/1369): 3:20 h
Airborne acoustical noise emissions (EU 2017/1369):42 dB(A) re 1 pW
Airborne acoustical noise emission class (EU 2017/1369): B
Cleaning performance:A
Water consumption:9.0 l
Total annual water consumption 220 days: 1980 l
Built-in / Free-standing: Built-in
Removable top: No
Door panel options: Not possible
Height of removable worktop: 0 mm
Height of the appliance: 815 mm
Adjustable feet: Yes - all from front
Maximum adjustability feet: 60 mm
Adjustable plinth: Both horizontal and vertical
Net weight:37.1 kg
Gross weight: 39.0 kg
Connection rating: 2400 W
Fuse protection:10 A
Voltage: 220-240 V
Frequency: 50; 60 Hz
Length electrical supply cord: 175.0 cm
Plug type: Gardy plug w/ earthing
Length inlet hose: 165 cm
Length outlet hose: 190 cm
Hidden heating element: Yes
Water protection system description: Triple water protection 24h
Child safety devices: No
Water softener: Yes
Top basket type: R2
Adjustable upper basket: Rackmatic 3-stage
Bottom basket type: R2
3rd Rack: VarioDrawer
Optional accessories: SMZ1051EU, SMZ2014, SMZ5000, SMZ5035, SMZ5100, SMZ5300, SGZ0BI01, SGZ0IC00, SGZ1010, SGZ8BI00
Included accessories 2: steam protection
Number of place settings: 14
Dimensions of the product (HxWxD):815 x 598 x 550 mm
Dimensions of the packed product (HxWxD): 880 x 660 x 670 mm



Series 4, fully-integrated dishwasher, 60 cm, Variable hinge for special installation situations SMH4ECX10E

Better drying performance even for built in kitchens with a high installation.

BOSCH - Header 1

- Energy Efficiency Class¹: C
- Energy² / Water³: 75 kWh / 9 litres
- Capacity: 14 place settings
- Programme duration⁴: 3:20 (h:min)
- Noise level: 42 dB(A) re 1 pW
- Noise Efficiency Class: B
- Noise level (silence programme): 41 dB(A) re 1 pW

BOSCH - Header 2

- 6 programmes: Eco 50 °C, Auto 45-65 °C, Intensive 70 °C, Express 65 °C, Silence 50 °C, Pre-Rinse
- Favourite Program
- 4 special options: Remote Start, Efficient Dry, Half Load, SpeedPerfect+
- Machine Care

BOSCH - Header 3

- AquaSensor
- DosageAssist
- EcoSilence Drive
- Detergent Automation
- Self-cleaning filter system with 3-fold corrugated filter
- Interior tub material: Stainless Steel

BOSCH - Header 4

- Flex Baskets
- VarioDrawer
- Rackmatic height-adjustable top basket (3 stage)
- Low friction wheels on bottom basket
- Rack Stopper to prevent derailing of bottom basket
- 2 foldable plate racks in top basket
- 2 foldable plate racks in bottom basket
- 2 lever (long/short)
- 2 cup shelves in bottom basket

BOSCH - Header 5

- Home Connect enabled via WLAN
- Push button top controls
- Panel legend: Plain text (english)
- Status Light
- Remaining programme time indicator (min)
- Acoustic end of cycle indicator
- Electronic delay timer: 1-24 hours

BOSCH - Header 6

- AquaStop: Bosch warranty in case of water damage – for the lifetime of the appliance.*
- with VarioHinge
- Glass protection technology

BOSCH - Header 7

- incl. salt filling funnel
- Incl. Steam protection plate

BOSCH - Header 8

- Product dimensions (HxWxD): 81.5 x 59.8 x 55 cm

¹ Scale of Energy Efficiency Classes from A to G

² Energy consumption in kWh per 100 cycles (in programme Eco 50 °C)

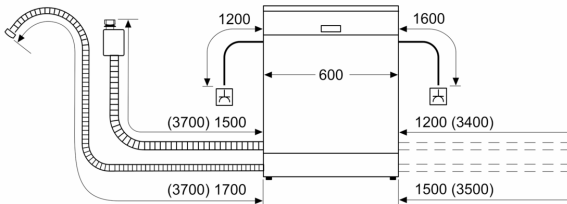
³ Water consumption in litres per cycle (in programme Eco 50 °C)

⁴ Duration of programme Eco 50 °C

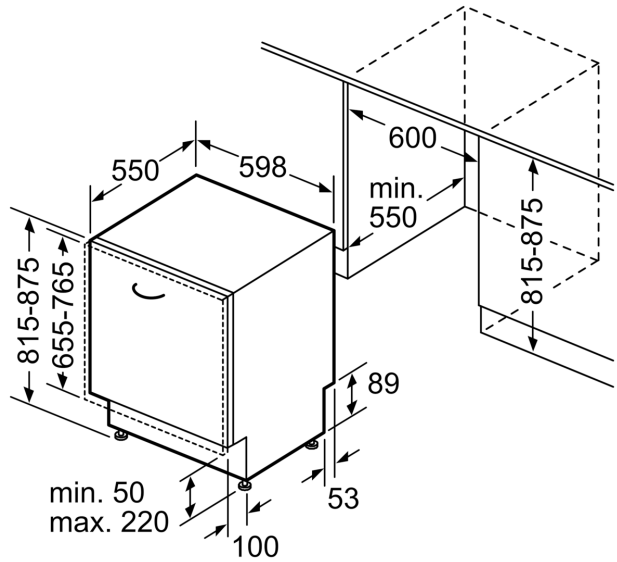
* Please find warranty terms under [please insert here the local URL (internet address, e.g. <https://www.bosch-home.com/> but with the direct page with the warranty terms)

**Series 4, fully-integrated dishwasher,
60 cm, Variable hinge for special
installation situations
SMH4ECX10E**

measurements in mm



⚡ socket
() values with extension kit



measurements in mm