

**Series 4, fully-integrated dishwasher,  
60 cm  
SMV4HVX03E**



- **ExtraDry:** selectable option for additional drying.
- **Rackmatic:** top basket adjustable on three levels offers additional space, especially for tall dishes.
- **The extra-quiet way to clean and dry dishes.**
- **Home Connect:** home appliances with smart connectivity for an easier everyday life.
- **Favourite function:** personalized function by just one touch.

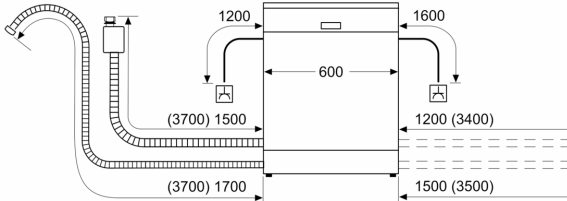
- SGZ0BI02 decorative strips stainless steel 81,5cm
- SGZ1010 inlet and outlet hose extention
- SGZ8BI00 Connection rail for divided furniture
- SMZ1051EU Mains cable with EU-Plug 5m
- SMZ2014 Rack insert for stemware dishwasher
- SMZ2056 Attachment door, stainless steel
- SMZ5000 Dishwashing aid set
- SMZ5003 Retractable hinge f. high corpus dimens.
- SMZ5100 Vario-cutlery basket
- SMZ5300 GlassSecure Tray

Energy Efficiency Class (Regulation (EU) 2017/1369): ..... D  
 Energy Consumption for 100 cycles Eco Programme: ..... 85 kWh  
 Maximum number of place settings: ..... 14  
 The water consumption of the eco programme in liters per cycle: 9.0 l  
 Programme duration: ..... 4:30 h  
 Airborne acoustical noise emissions : .....46 dB(A) re 1 pW  
 Airborne acoustical noise emission class: .....C  
 Cleaning performance: .....A  
 Water consumption: .....9.0 l  
 Total annual water consumption 220 days: ..... 1980 l  
 Built-in / Free-standing: ..... Built-in  
 Removable top: ..... No  
 Door panel options: ..... Not possible  
 Height of removable worktop: ..... 0 mm  
 Height of the appliance: ..... 815 mm  
 Adjustable feet: ..... Yes - all from front  
 Maximum adjustability feet: ..... 60 mm  
 Adjustable plinth: ..... Both horizontal and vertical  
 Net weight: ..... 34.5 kg  
 Gross weight: ..... 36.6 kg  
 Connection rating: ..... 2400 W  
 Fuse protection: ..... 10 A  
 Voltage: ..... 220-240 V  
 Frequency: ..... 50; 60 Hz  
 Length electrical supply cord: ..... 175.0 cm  
 Plug type: ..... Gardy plug w/ earthing  
 Length inlet hose: ..... 165 cm  
 Length outlet hose: ..... 190 cm  
 Hidden heating element: ..... Yes  
 Water protection system description: ..... Triple water protection 24h  
 Child safety devices: ..... No  
 Water softener: ..... Yes  
 Top basket type: ..... low  
 Adjustable upper basket: ..... Rackmatic 3-stage  
 Bottom basket type: ..... low  
 3rd Rack: ..... 3rd Rack 1.0  
 Optional accessories: SGZ0BI02, SGZ1010, SGZ8BI00, SMZ1051EU, SMZ2014, SMZ2056, SMZ5000, SMZ5003, SMZ5100, SMZ5300  
 Included accessories 2: ..... Vapor barrier plate  
 Number of place settings: ..... 14  
 Dimensions of the product (HxWxD): ..... 815 x 598 x 550 mm  
 Dimensions of the packed product (HxWxD): ..... 880 x 660 x 670 mm

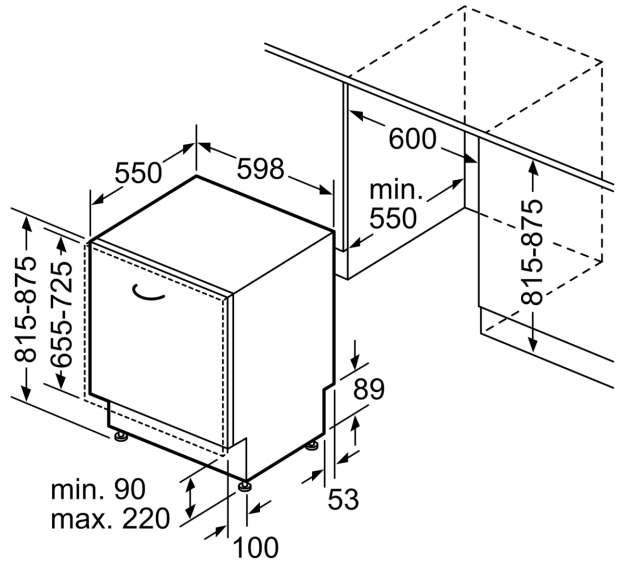


**Series 4, fully-integrated dishwasher,  
60 cm  
SMV4HVX03E**

measurements in mm



⚡ socket  
( ) values with extension kit



measurements in mm