

**Series 4, fully-integrated dishwasher,  
45 cm, Variable hinge for special  
installation situations  
SPH4HKX10E**



- **ExtraDry:** selectable option for additional drying.
- **Height Adjustable Top Basket:** offers extra space, especially for tall dishes.
- **Silence Plus:** remarkably quiet at 44dB.
- **Home Connect:** home appliances with smart connectivity for an easier everyday life.
- **Favourite function:** personalized function by just one touch.

- SGZ0BI02 decorative strips stainless steel 81,5cm
- SGZ1010 inlet and outlet hose extention
- SGZ3003 Silver polishing cassette
- SGZ8BI00 Connection rail for divided furniture
- SMZ1051EU Mains cable with EU-Plug 5m
- SMZ5000 Dishwashing aid set
- SMZ5002 Silver polishing cassette
- SMZ5300 GlassSecure Tray

Energy Efficiency Class (Regulation (EU) 2017/1369): ..... E  
 Energy Consumption for 100 cycles Eco Programme (EU 2017/1369): .....76 kWh  
 Maximum number of place settings (EU 2017/1369): ..... 10  
 The water consumption of the eco programme in liters per cycle (EU 2017/1369): .....8.9 l  
 Programme duration (EU 2017/1369): ..... 3:40 h  
 Airborne acoustical noise emissions (EU 2017/1369): .44 dB(A) re 1 pW  
 Airborne acoustical noise emission class (EU 2017/1369): ..... B  
 Cleaning performance: .....A  
 Water consumption: .....8.9 l  
 Total annual water consumption 220 days: ..... 1958 l  
 Built-in / Free-standing: ..... Built-in  
 Removable top: ..... No  
 Door panel options: ..... Not possible  
 Height of removable worktop: ..... 0 mm  
 Height of the appliance: ..... 815 mm  
 Adjustable feet: ..... Yes - all from front  
 Maximum adjustability feet: ..... 60 mm  
 Adjustable plinth: ..... Both horizontal and vertical  
 Net weight: ..... 28.9 kg  
 Gross weight: ..... 30.7 kg  
 Connection rating: ..... 2400 W  
 Fuse protection: ..... 10 A  
 Voltage: ..... 220-240 V  
 Frequency: ..... 50; 60 Hz  
 Length electrical supply cord: ..... 175.0 cm  
 Plug type: ..... Gardy plug w/ earthing  
 Length inlet hose: ..... 165 cm  
 Length outlet hose: ..... 205 cm  
 Hidden heating element: ..... Yes  
 Water protection system description: ..... Triple water protection 24h  
 Child safety devices: ..... No  
 Water softener: ..... Yes  
 Top basket type: ..... R2 45 cm  
 Adjustable upper basket: ..... Single  
 Bottom basket type: ..... R2 45 cm  
 3rd Rack: ..... None  
 Optional accessories: ..... SGZ0BI02, SGZ1010, SGZ3003, SGZ8BI00, SMZ1051EU, SMZ5000, SMZ5002, SMZ5300  
 Included accessories 2: ..... steam protection  
 Number of place settings: ..... 10  
 Dimensions of the product (HxWxD): ..... 815 x 448 x 550 mm  
 Dimensions of the packed product (HxWxD): ..... 880 x 530 x 680 mm



## Series 4, fully-integrated dishwasher, 45 cm, Variable hinge for special installation situations SPH4HKX10E

<sup>4</sup> Duration of programme Eco 50 °C

\* Please find warranty terms under [please insert here the local URL (internet address, e.g. <https://www.bosch-home.com/> but with the direct page with the warranty terms)

### **BOSCH - Header 1**

- Energy Efficiency Class<sup>1</sup>: E
- Energy<sup>2</sup> / Water<sup>3</sup>: 76 kWh / 8.9 litres
- Capacity: 10 place settings
- Programme duration<sup>4</sup>: 3:40 (h:min)
- Noise level: 44 dB(A) re 1 pW
- Noise Efficiency Class: B
- Noise level (silence programme): 42 dB(A) re 1 pW

### **BOSCH - Header 2**

- 6 programmes: Eco 50 °C, Auto 45-65 °C, Intensive 70 °C, Express 65 °C, Silence 50 °C, Pre-Rinse
- Favourite Program
- 4 special options: Remote Start, Extra Dry, Intensive Zone, SpeedPerfect+
- Machine Care

### **BOSCH - Header 3**

- AquaSensor
- DosageAssist
- EcoSilence Drive
- DuoPower spray arms in top basket
- Detergent Automation
- Self-cleaning filter system with 3-fold corrugated filter
- Interior tub material: Stainless Steel

### **BOSCH - Header 4**

- Height adjustable top basket
- Low friction wheels on bottom basket
- Rack Stopper to prevent derailing of bottom basket
- 2 foldable plate racks in bottom basket
- Cutlery rack in top basket
- Variable cutlery basket in bottom basket
- 2 cup shelves in top basket

### **BOSCH - Header 5**

- Home Connect enabled via WLAN
- Push button top controls
- Panel legend: Plain text (english)
- InfoLight (red)
- Remaining programme time indicator (min)
- Acoustic end of cycle indicator
- Electronic delay timer: 1-24 hours

### **BOSCH - Header 6**

- AquaStop: Bosch warranty in case of water damage – for the lifetime of the appliance.\*
- with VarioHinge
- Glass protection technology

### **BOSCH - Header 7**

- incl. salt filling funnel
- Incl. Steam protection plate

### **BOSCH - Header 8**

- Product dimensions (HxWxD): 81.5 x 44.8 x 55 cm

<sup>1</sup> Scale of Energy Efficiency Classes from A to G

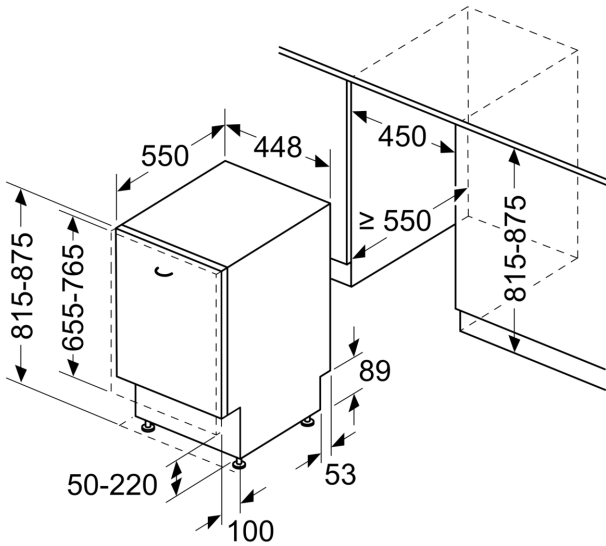
<sup>2</sup> Energy consumption in kWh per 100 cycles (in programme Eco 50 °C)

<sup>3</sup> Water consumption in litres per cycle (in programme Eco 50 °C)

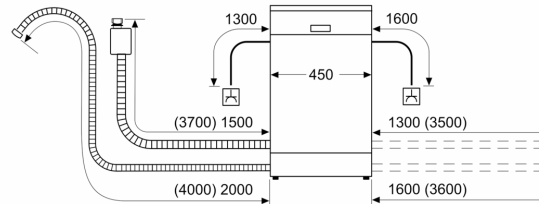


**Series 4, fully-integrated dishwasher,  
45 cm, Variable hinge for special  
installation situations  
SPH4HKX10E**

measurements in mm



measurements in mm



⌚ socket  
( ) values with extension kit