



# T211H.W

## Heat pump dryer

### General description

T211H.W  
Product line: Classic  
Installation: Freestanding  
Drying capacity: 1-11 kg  
Number of programmes: 10  
Energy class: A++  
Type of dryer: Heat pump dryer  
Type of display: LCD display  
Anticrease  
Main colour: White



### Construction & Performance

- Long lasting stainless steel drum
- Durable brushless motor
- Heat pump
- Sensor and time controlled drying
- Drum volume: 145 l
- Butterfly drying system

### Use & flexibility

- Volume of container for condensed water: 6 l
- Removable filter
- Door diameter: 34 cm
- Door opening angle: 180 °
- Anticrease
- Time setting
- Humidity sensor

### Interaction & Control

- Remaining time indication
- Type of display: LCD display
- End of programme sound signal
- Program memory
- Available languages in control unit: CZ, DA, DE, EN, ES, EE, FI, FR, HR, IT, JP, LT, LV, NL, NO, PL, RU, SK, SL, SV, ZH, ZH-CN

### Programs

- 10 programmes
- Auto dry
- Auto iron dry - auto programme with some remaining moisture
- Auto normal dry - for thicker, non-sensitive cotton fabrics
- Auto synthetic - for synthetics and other sensitive fabrics
- Timed drying
- Airing
- Bedding - programme for bedding and other large items
- Refreshing programme for silk and wool
- Quick Pro - effective quick programme

### Design & integration

- Door opening: Reversible door opening
- Adjustable feet: 15 mm
- Yes
- Loading position: Front

### Safety & Maintenance

- Lockable control panel
- Overheat protection
- Thermal and electronic protection against overheating

### Technical data

- Noise level: 65 dB(A)re 1 pW

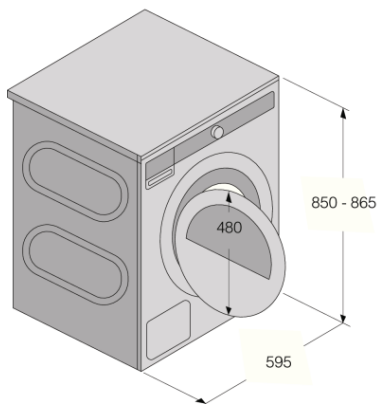
- Power consumption in standby mode: 0,8 W
- Power consumption in off mode: 0,25 W
- Estimated annual energy consumption: 259,7 kWh
- Energy class: A++
- Grounded plug
- Plug type SHUKO
- Connected load: 700 W
- Number of phases: 1
- Fuse: 10 amp
- Frequency: 50 Hz
- Net weight: 60,4 kg
- ISO 14001

#### Dimensions

- Product dimensions (HxWxD): 85 × 59,5 × 76,9 cm
- Depth with door open: 1165 mm
- Length electrical cord: 2,1 m

#### Logistic information

- Dimensions of packed product (HxWxD): 92 × 64 × 83,8 cm
- Gross weight: 65 kg
- Product code: 7383333
- EAN code: 3838782499210



Tumble Dryer/D-85

